



2026

SINCE 1988 PROFESSIONAL MANUFACTURING

PROFESSIONAL MANUFACTURING
CONTINUOUS INNOVATION AND IMPROVED QUALITY

TOP FISHING NET&ROD REST
MANUFACTURER





Intellectual Property Statement

All patents and trademarks mentioned below are the property of the Company and protected by law. Unauthorized use is prohibited, and infringement will be pursued to the fullest extent of the law!

知识产权声明

以下所涉专利、商标均属本公司所有，受法律保护。未经授权，不得擅自使用，侵权必究！

Patents Granted in China and Abroad Over the Years:

历年来荣获的中国及国外专利：

中国专利 CHINA PATENT

网圈带锁左右折叠的抄网/Landing net with net ring lock for left-right folding	ZL·2019 1 0412311.1
塑料管与碳纤维复合管及制作工艺/Plastic-Carbon Fiber Composite Pipes & Manufacturing Processes	ZL·2025 1 1877326.7
展收双锁的折叠握把抄网/Dual-Lock Folding Handle Landing Net	ZL·2025 1 1846287.4
内置式折叠鱼抄网/Built-in folding fishing landing net	ZL·2017 2 1024419.6
折叠提手抄网/Foldable handheld landing net	ZL·2018 2 1957339.0
外置提手异形抄网/External handheld special-shaped landing net	ZL·2018 2 1958091.X
网圈带锁左右折叠的抄网/Landing net with net ring lock for left-right folding	ZL·2019 2 0716648.7
卧式钓竿支架/Horizontal fishing rod support	ZL·2021 2 1050615.7
自动锁紧左右折叠抄网/Self-locking left-right folding landing net	ZL·2021 2 1050624.6
钓竿支架伸缩锁止结构/Telescopic Lock Structure of Fishing Rod Holders	ZL·2025 2 2642048.9
侧向隐藏螺丝的可拆卸抄网头/Detachable Landing Net Head w/ Side Concealed Screws	ZL·2025 2 2642058.2
抄网(折叠)/Landing net (foldable)	ZL·2018 3 0673756.1
抄网(三角)/Landing net (triangular)	ZL·2018 3 0673761.2
抄网(提手)/Landing net (handle)	ZL·2018 3 0674043.7
抄网网头(1)/Landing net head (1)	ZL·2019 3 0097666.7
抄网网头(2)/Landing net head (2)	ZL·2019 3 0097654.4
抄网架(前后翻转)/Landing net frame (front-rear flip)	ZL·2022 3 0455621.4
钓鱼竿支架/Fishing rod support	ZL·2023 3 0517324.2
钓杆支架/Fishing Rod Support Frame	ZL·2025 3 0735780.3

美国专利 USA PATENT

United States Patent

FOLDABLE DIP NET PROVIDED WITH HANDLE AND METHOD FOR USING SAME	US· 11,166,443 B2
DIP NET PROVIDED WITH LOCKALBE AND FOLDABLE HANDLE	US· 11,344,010 B2
DIP NET PROVIDED WITH LOCKALBE HOOPS CAPABLE OF BEING FOLDED LEFTWARDS AND RIGHTWARDS	US· 11,357,220 B2
DIDDLE NET WITH ARC-SHAPED HANDLE	US· D855,148 S
FOLDABLE DIP NET FARME	US· D844,826 S
DIP NET FARME WITH HANDLE	US· D884,118 S
DIP NET FARME WITH FOLDABLE HOOP AND RETRACTABLE HANDLE	US· D901,618 S
DIP NET FARME WITH LOCKALBE AND FOLDABLE HANDLE	US· D902,342 S
FISHING LANDING NET FRAME WITH AN ARM	US· D902,343 S
DIP NET FRAME CAPABLE OF FLIPPING BACK AND FORTH	US· D1,038.321 S
FOLDABLE LANDING NET	US· 30037411

**WE GROW TOGETHER
WITH SINCERE GRATITUDE FOR YOU.**

CORPORATE VISION

Guided by our core mission of "Empowering Angling with Technology, Safeguarding Passion with Quality" and upholding the core values of "Innovation, Integrity, Craftsmanship, and Win-Win Cooperation", we leverage nearly 40 years of profound expertise in fishing tackle manufacturing and nearly 100 patented technologies, with continuously iterated innovative products as the carrier. We are committed to becoming a global leader in the niche segments of landing nets and fishing rod holders, creating fishing equipment that combines robust practicality and exceptional user experience, and delivering the joy and value of angling sports.

企业愿景

以“技术赋能垂钓，品质守护热爱”为核心使命，秉持“创新、诚信、匠心、共赢”的核心价值观，依托近40年钓具制造积淀与近百项专利技术，持续迭代的创新产品为载体，致力于成为全球鱼抄网、鱼竿支架细分领域的引领者，打造兼具实用性与体验感的钓具装备，传递垂钓运动的快乐与价值。

CORPORATE
VISION



TRIANGLE FOLDABLE NET (STRAIGHT HANDLE)

折叠三角抄网 (直柄)

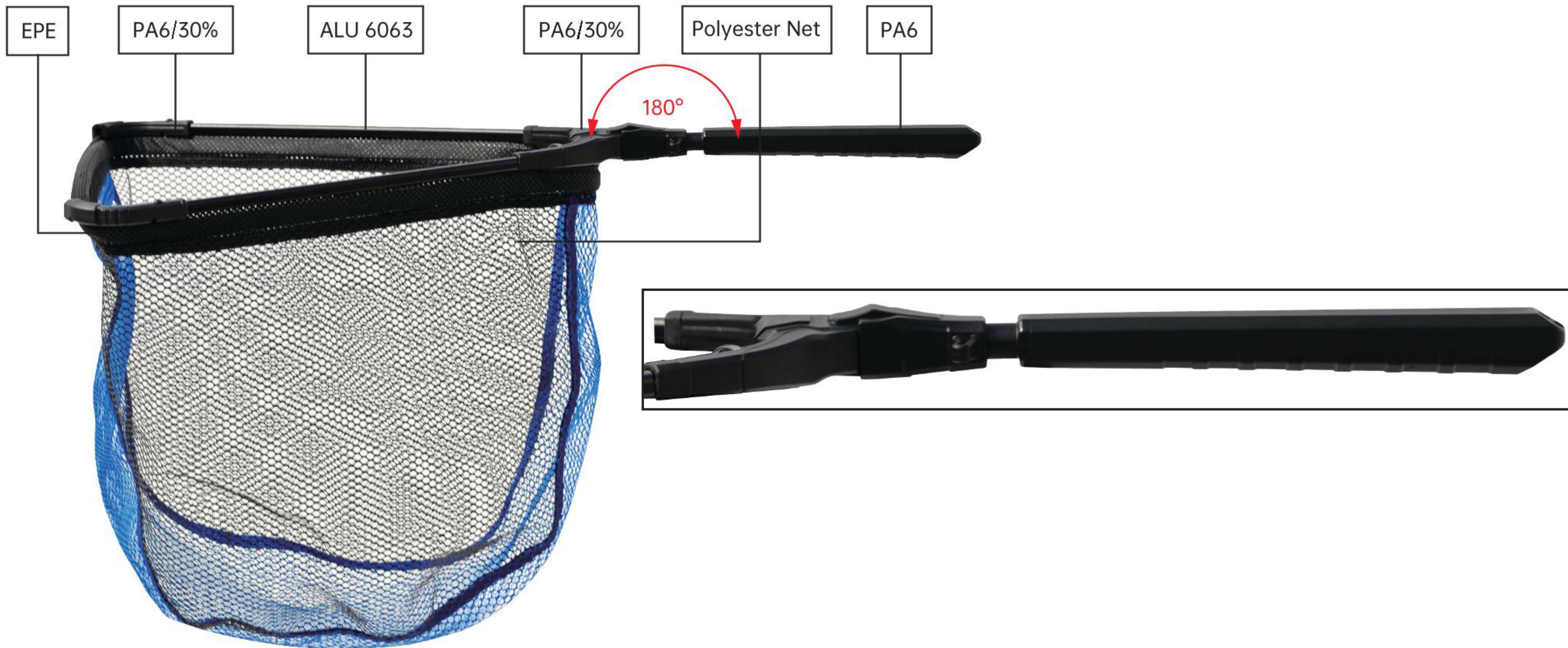
- Patented product
专利产品



ZL·2018 3 0673761.2

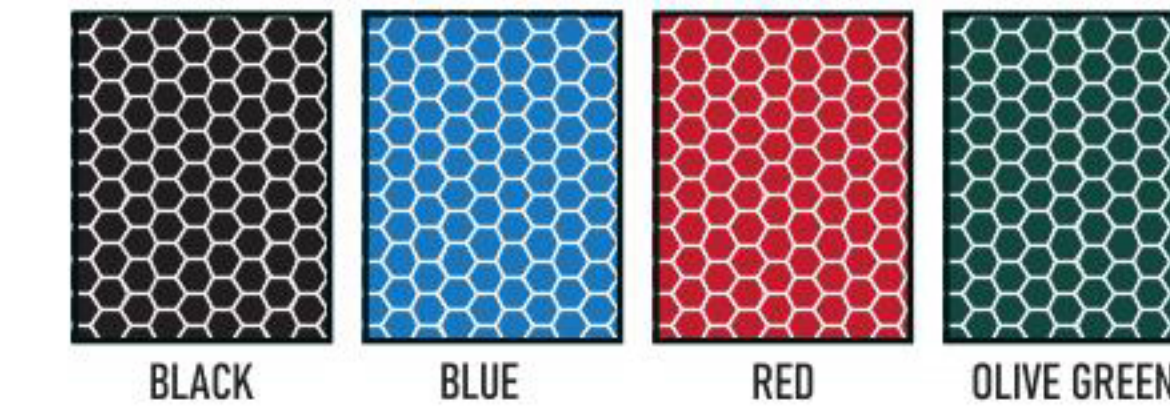


US· D901,618 S

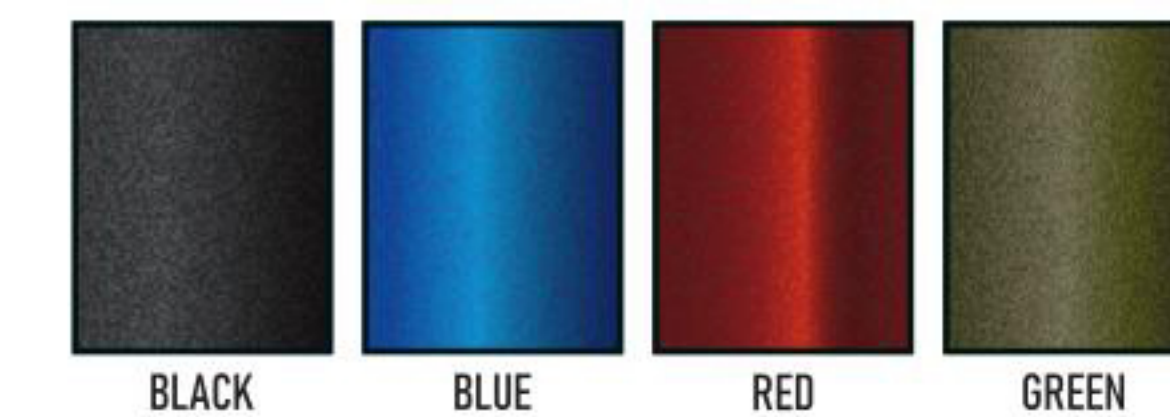


Material Standard: T5/6063
 Surface Hardness: \geq HW-12°
 Oxidize Thickness: 20 μ m

MESH COLOR (MESH DIAMETER \varnothing 3-13MM)



ALUMINUM ALLOY COLOR





TRIANGLE FOLDABLE NET(PROTECTIVE)
折叠三角抄网 (内置)

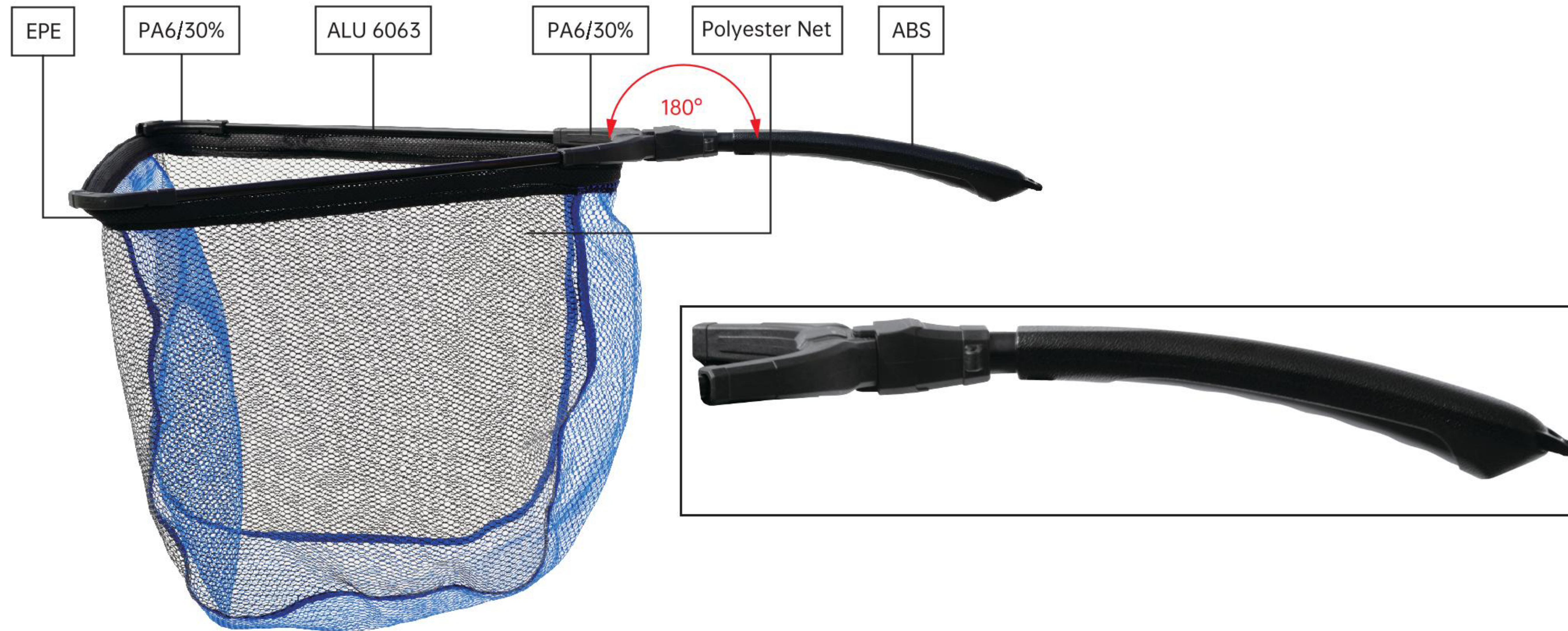
ITEM 编号	HOOP SIZE 网径	HOOP DEEP 网深	LENGTH 长度	WEIGHT 重量
AY-450651	45x45cm	40-45cm	46-65cm	440g
AY-500701	50x50cm	40-50cm	50-70cm	520g



TRIANGLE FOLDABLE NET(CURVED HANDLE)

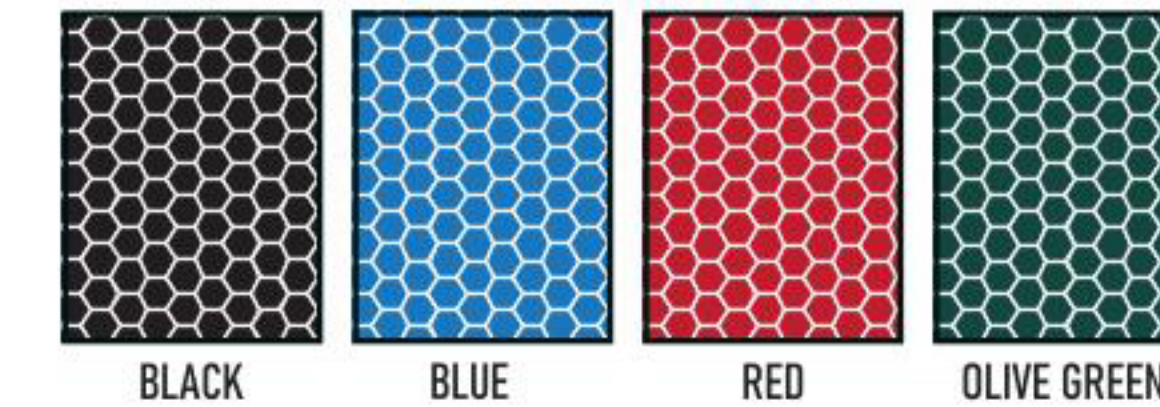
折叠三角抄网 (弧柄)

- Patented product  ZL·2018 3 0673761.2
专利产品

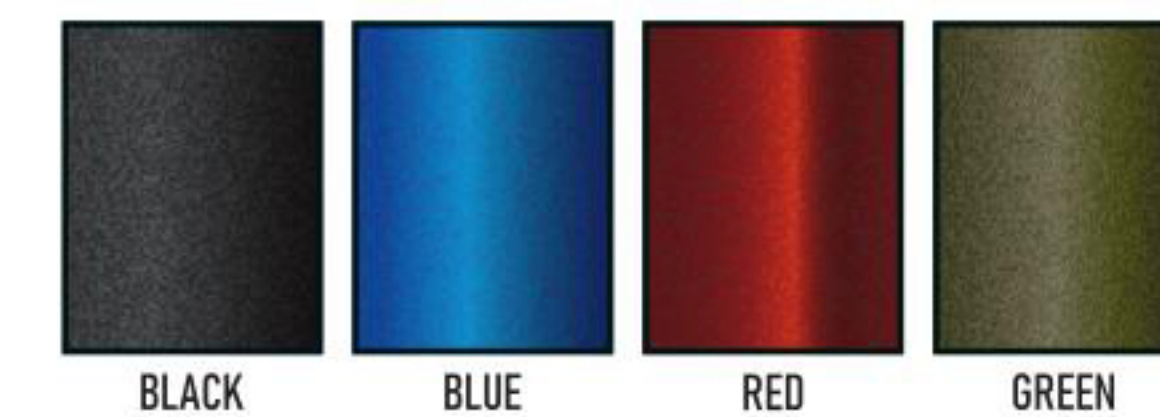


Material Standard: T5/6063
Surface Hardness: \geq HW-12°
Oxidize Thickness: 20 μ m

MESH COLOR (MESH DIAMETER \varnothing 3-13MM)



ALUMINUM ALLOY COLOR





TRIANGLE FOLDABLE NET(PROTECTIVE)
折叠三角抄网 (内置)

ITEM 编号	HOOP SIZE 网径	HOOP DEEP 网深	LENGTH 长度	WEIGHT 重量
AW-450701	45x45cm	40-45cm	46-70cm	470g
AW-500751	50x50cm	45-50cm	50-75cm	550g



TRIANGLE FOLDABLE NET(PROTECTIVE)
折叠三角抄网 (内置)

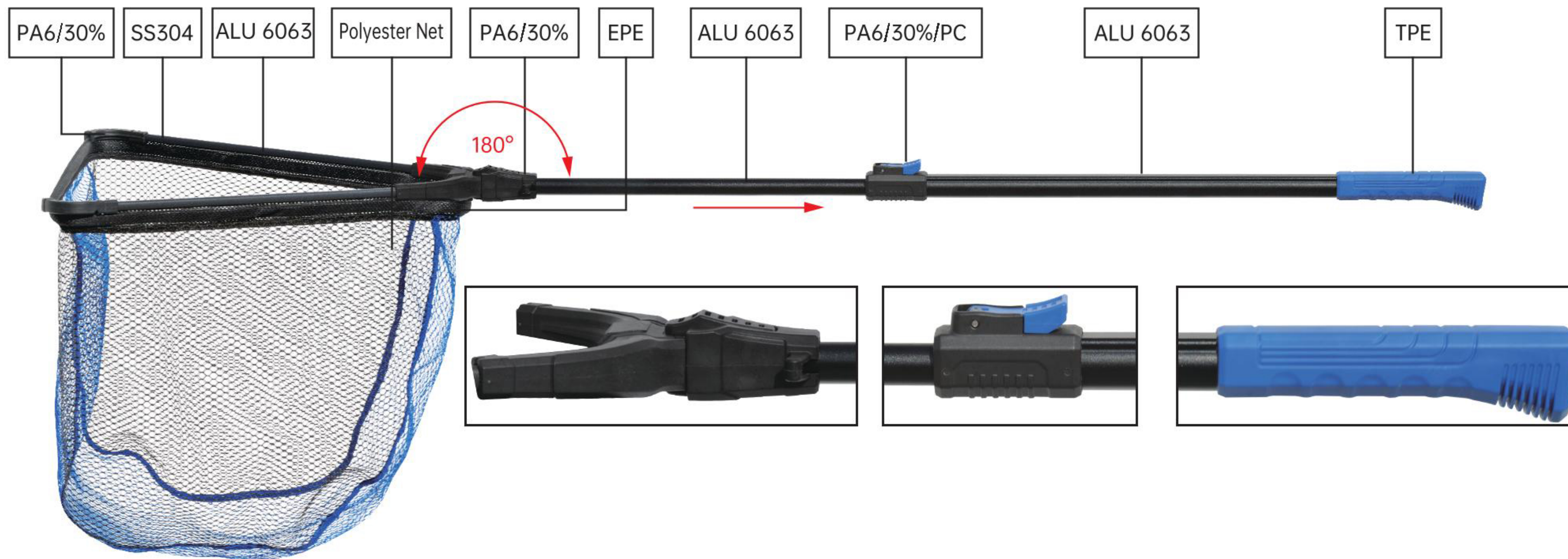
ITEM 编号	HOOP SIZE 网径	HOOP DEEP 网深	LENGTH 长度	WEIGHT 重量
AT-450701	45x45cm	40-45cm	46-70cm	470g
AT-500751	50x50cm	45-50cm	50-75cm	550g



TRIANGLE FOLDABLE NET(2 PCS HANDLE)

两节折叠三角抄网

- Patented product  ZL·2018 3 0673756.1
专利产品



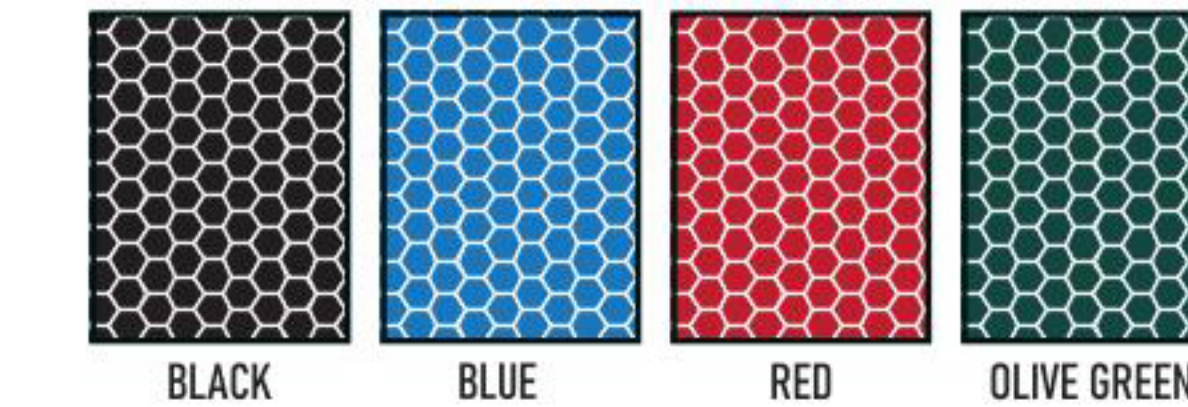
**Aluminum Tube
With Reinforced Rib design**

Material Standard: T5/6063

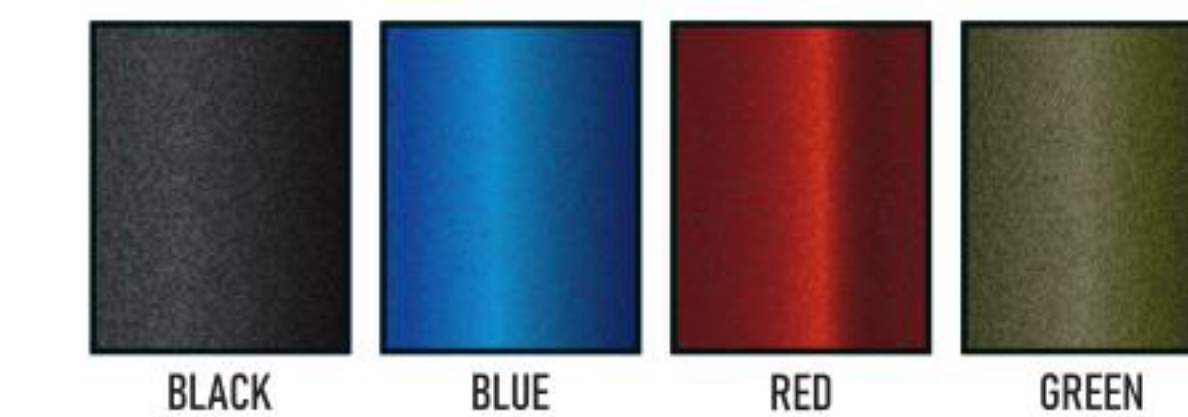
Surface Hardness: \geq HW-12°

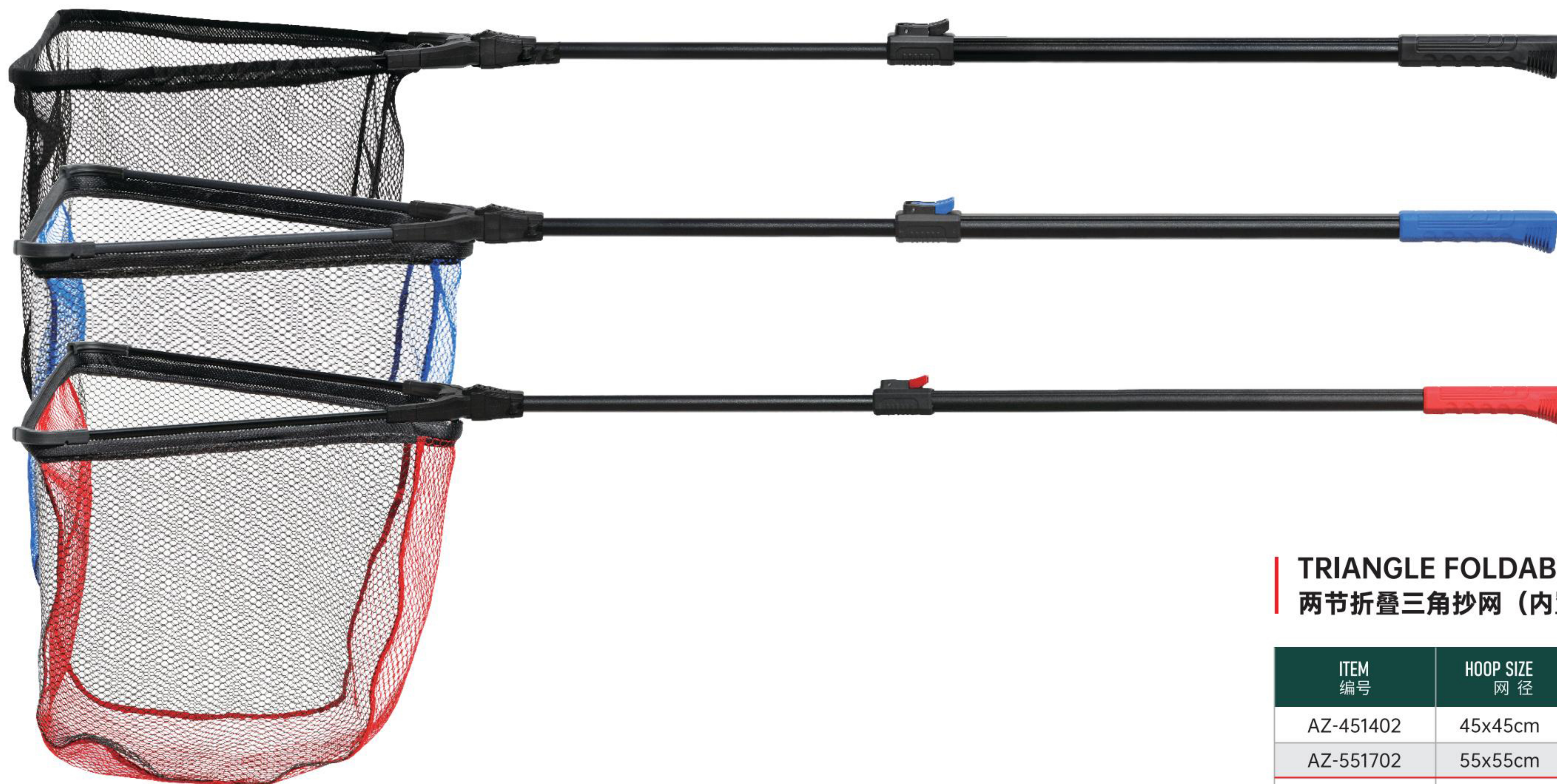
Oxidize Thickness: 20 μ m

MESH COLOR (MESH DIAMETER \varnothing 3-13MM)



ALUMINUM ALLOY COLOR





TRIANGLE FOLDABLE NET(PROTECTIVE)
两节折叠三角抄网 (内置)

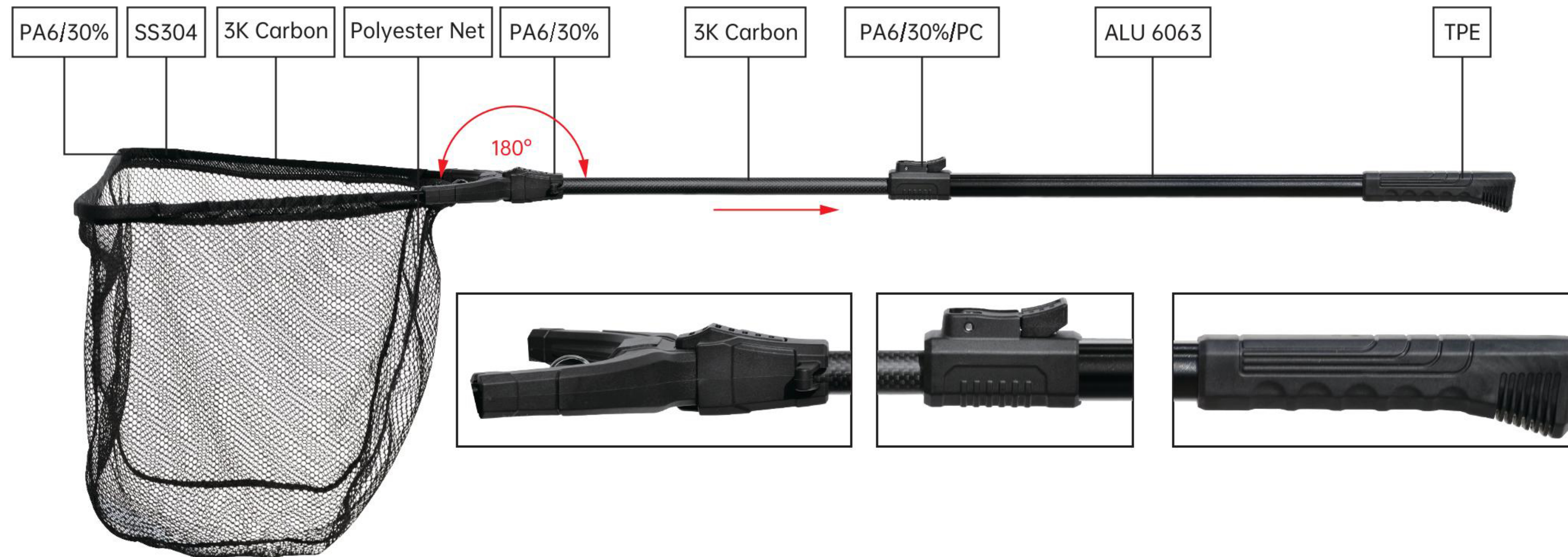
ITEM 编号	HOOP SIZE 网径	HOOP DEEP 网深	LENGTH 长度	WEIGHT 重量
AZ-451402	45x45cm	40-45cm	85-140cm	570g
AZ-551702	55x55cm	50-55cm	85-170cm	880g
AZ-651802	65x65cm	60-65cm	85-180cm	945g



CARBON TRIANGLE FOLDABLE NET

两节折叠碳素三角抄网

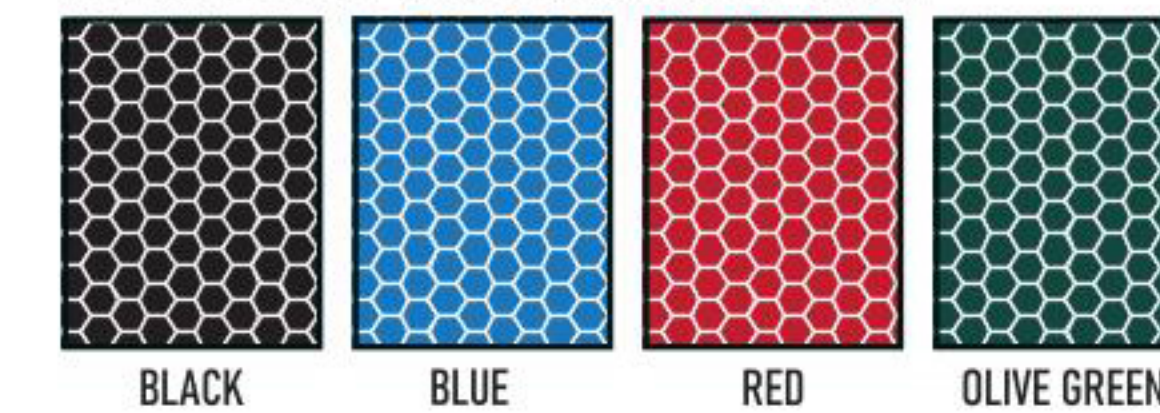
- Patented product  ZL·2018 3 0673756.1
专利产品



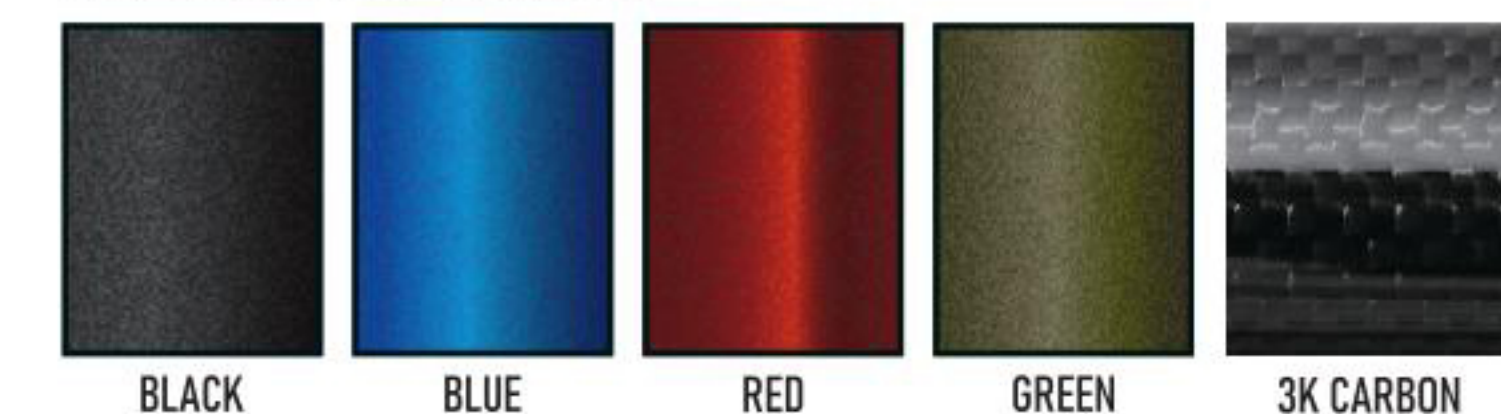
**Aluminum Tube
With Reinforced Rib design**

Material Standard: T5/6063
Surface Hardness: \geq HW-12°
Oxidize Thickness: 20 μ m

MESH COLOR (MESH DIAMETER \varnothing 3-13MM)



ALUMINUM ALLOY COLOR





CARBON TRIANGLE FOLDABLE NET(EXTERNAL)
二节折叠碳素三角抄网（外置）

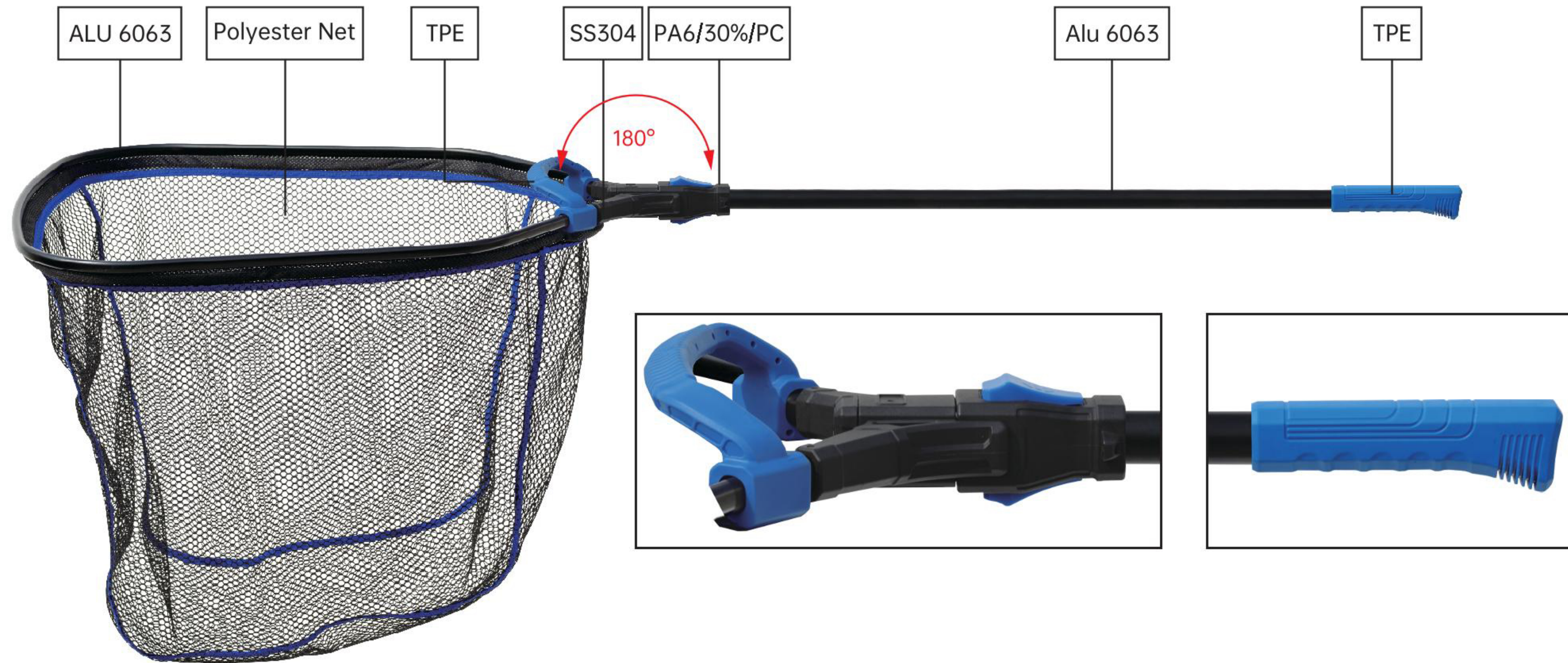
ITEM 编号	HOOP SIZE 网径	HOOP DEEP 网深	LENGTH 长度	WEIGHT 重量
AX-451402	45x45cm	40-45cm	85-140cm	550g
AX-551702	55x55cm	50-55cm	85-170cm	855g
AX-651802	65x65cm	60-65cm	85-180cm	920g



180° FOLDABLE SQUARE NET

一节180°折叠异形抄网

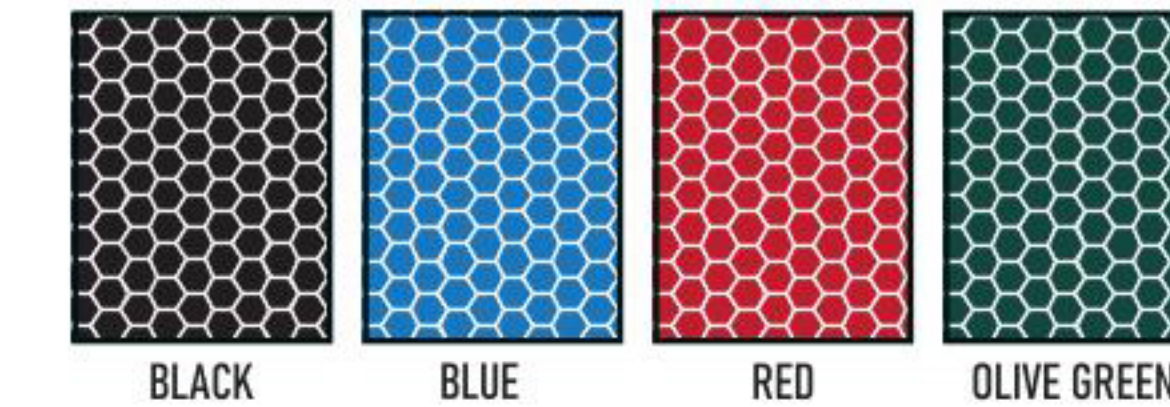
- Patented product  ZL·2022 3 0455621.4  US· D884,118 S
专利产品



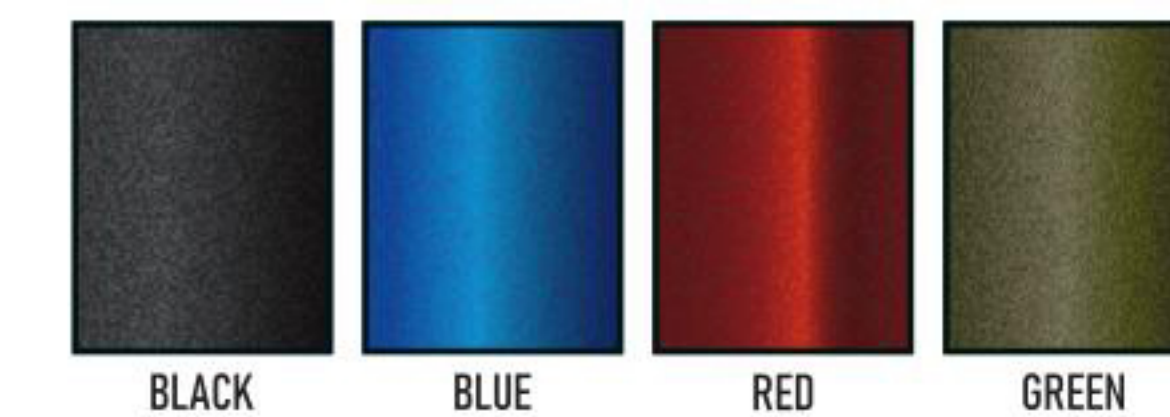
**Aluminum Tube
With Reinforced Rib design**

Material Standard: T5/6063
Surface Hardness: \geq HW-12°
Oxidize Thickness: 20 μ m

MESH COLOR (MESH DIAMETER \varnothing 3-13MM)



ALUMINUM ALLOY COLOR





180° FOLDABLE SQUARE NET(PROTECTIVE)
一节180°折叠异形抄网 (内置)

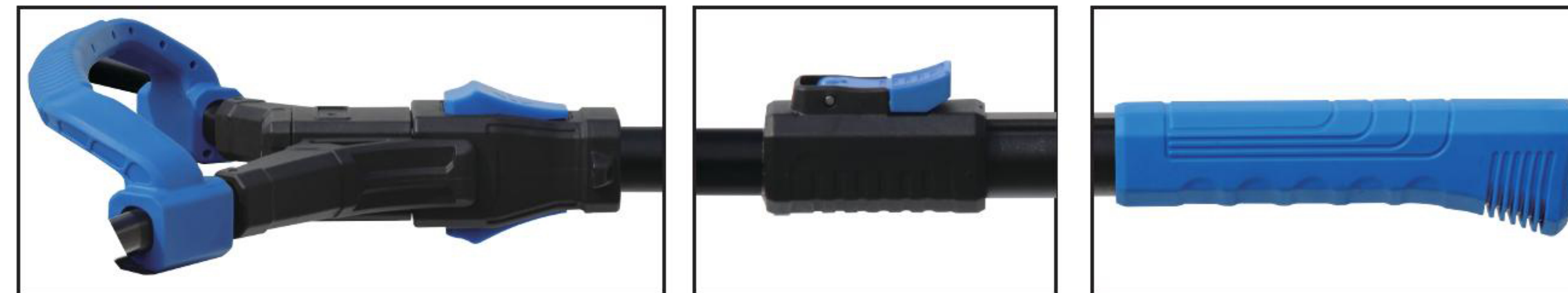
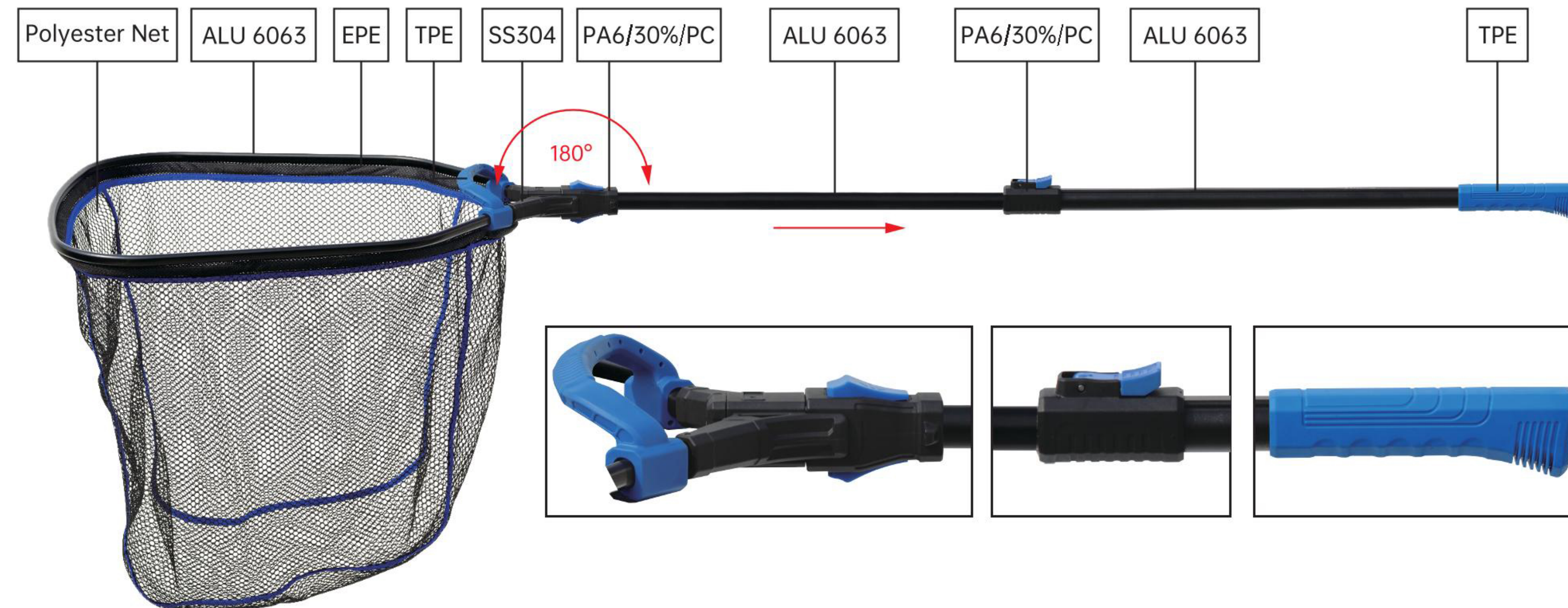
ITEM 编号	HOOP SIZE 网径	HOOP DEEP 网深	LENGTH 长度	WEIGHT 重量
BZ-501201	50x40cm	45-50cm	80-120cm	550g
BZ-601401	60x50cm	55-60cm	90-140cm	860g
BZ-701601	70x60cm	65-70cm	100-160cm	1270g
BZ-801801	80x70cm	75-80cm	110-180cm	1550g



180° FOLDABLE SQUARE NET (TELESCOPIC HANDLE)

两节180°折叠异形抄网

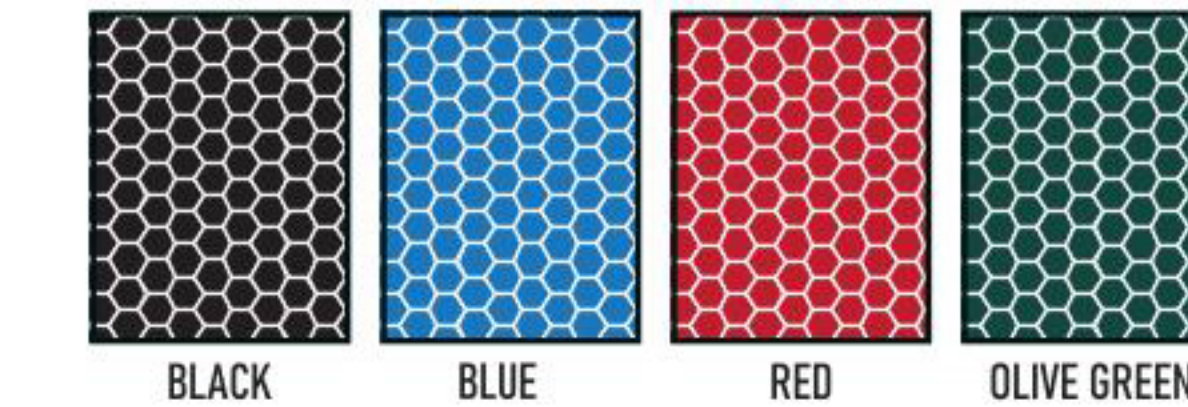
- Patented product 专利产品
-  ZL·2022 3 0455621.4
  US· D884,118 S



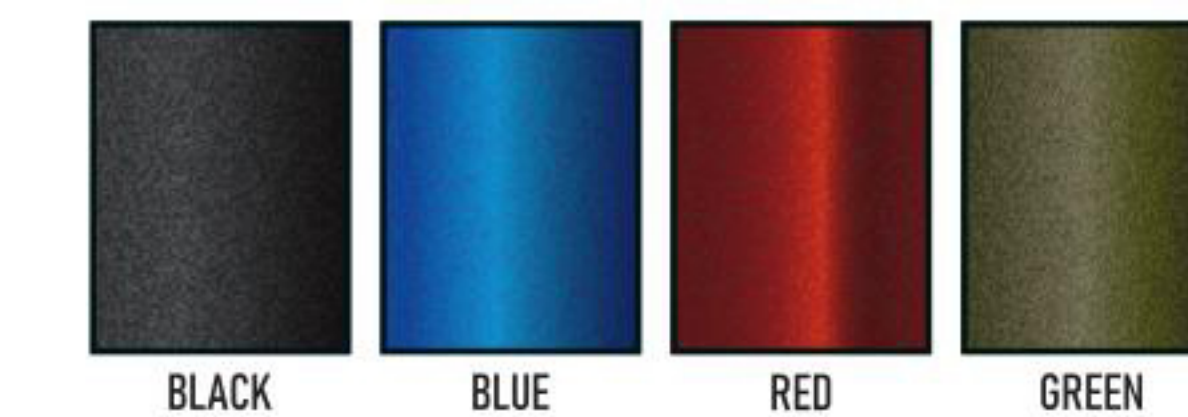
**Aluminum Tube
With Reinforced Rib design**

Material Standard: T5/6063
Surface Hardness: ≥HW-12°
Oxidize Thickness: 20μm

MESH COLOR (MESH DIAMETER Ø3-13MM)



ALUMINUM ALLOY COLOR







180° FOLDABLE SQUARE NET(PROTECTIVE)
两节180°折叠异形抄网（内置）

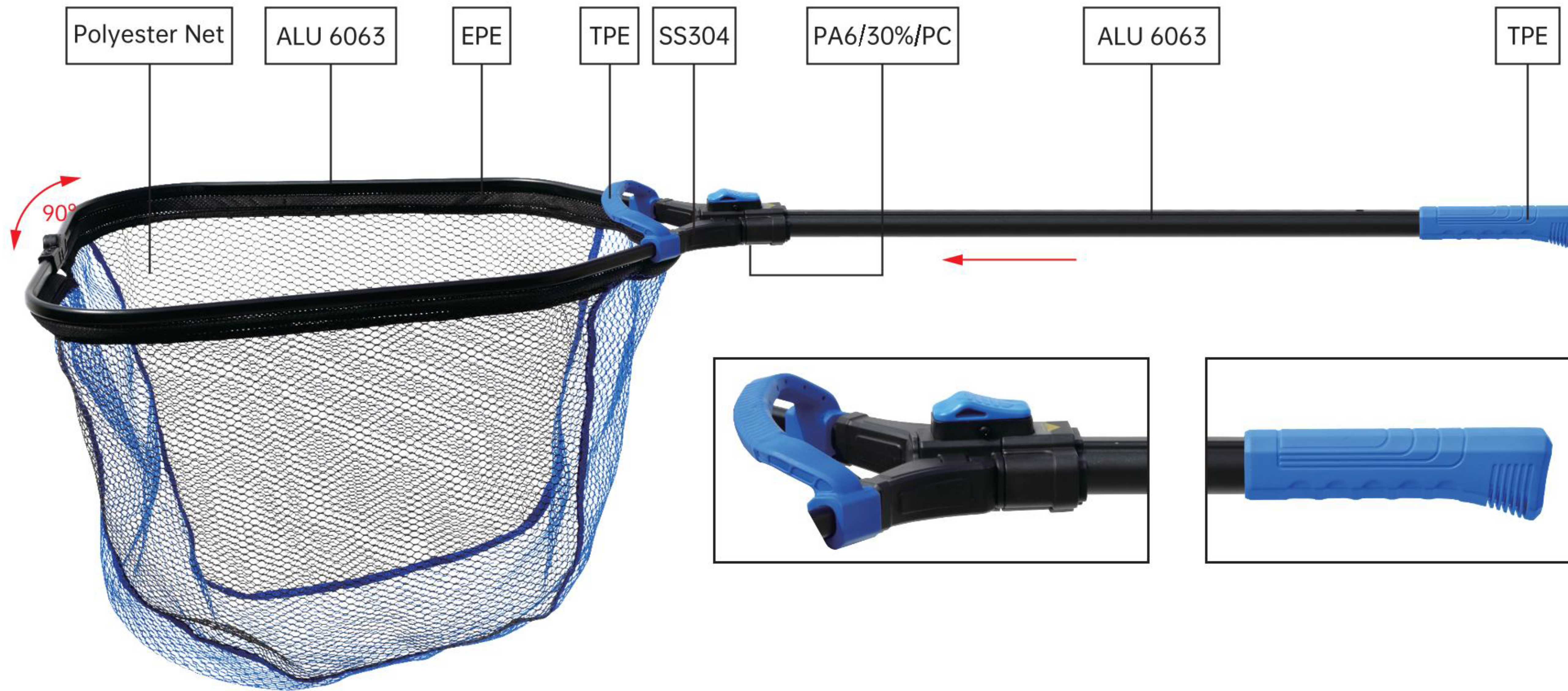
ITEM 编号	HOOP SIZE 网径	HOOP DEEP 网深	LENGTH 长度	WEIGHT 重量
BY-501702	50x40cm	45-50cm	80-170cm	830g
BY-602002	60x50cm	55-60cm	90-200cm	1150g
BY-702302	70x60cm	65-70cm	100-230cm	1550g
BY-802602	80x70cm	75-80cm	110-260cm	1960g



90° FOLDABLE SQUARE NET(1 PCSHANDLE)

一节90°折叠异形抄网

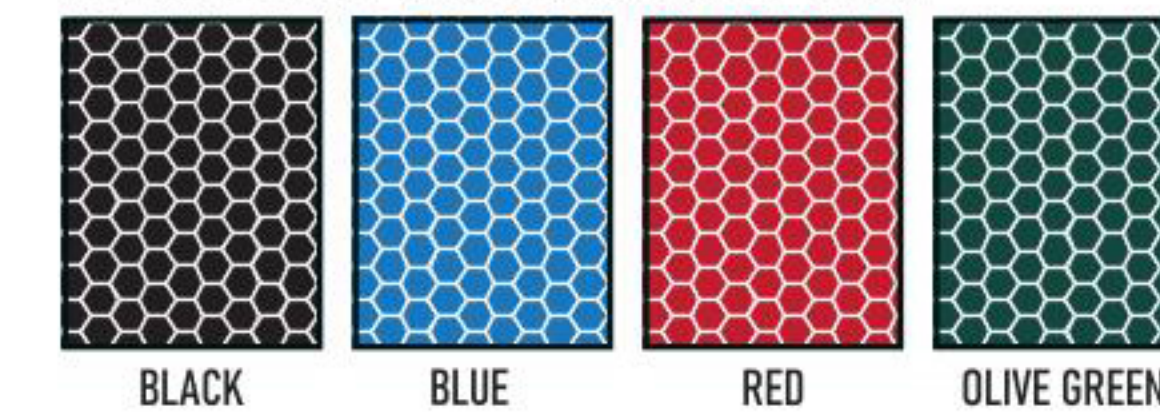
- Patented product  ZL·2019 1 0412311.1  US· D901,618 S
专利产品



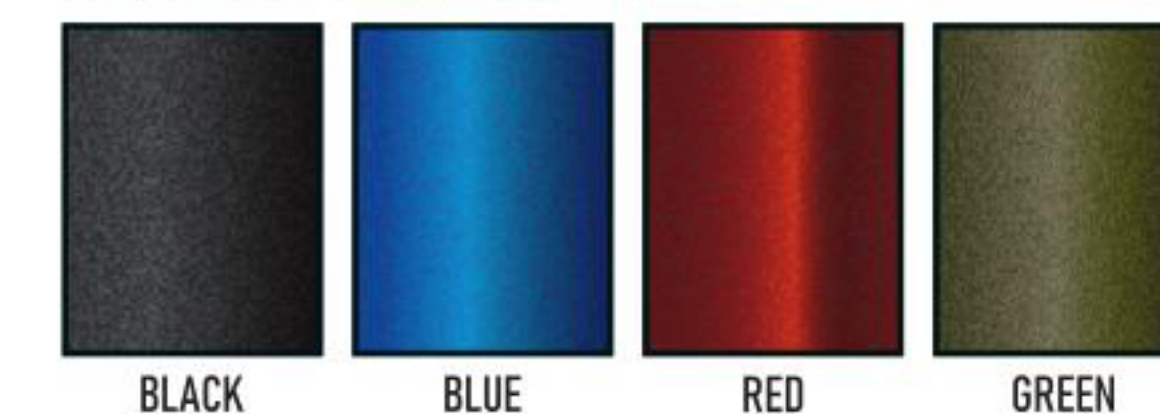
**Aluminum Tube
With Reinforced Rib design**

Material Standard: T5/6063
Surface Hardness: ≥HW-12°
Oxidize Thickness: 20μm

MESH COLOR (MESH DIAMETER Ø3-13MM)



ALUMINUM ALLOY COLOR






90° FOLDABLE SQUARE NET(PROTECTIVE)
一节90°折叠异形抄网（内置）

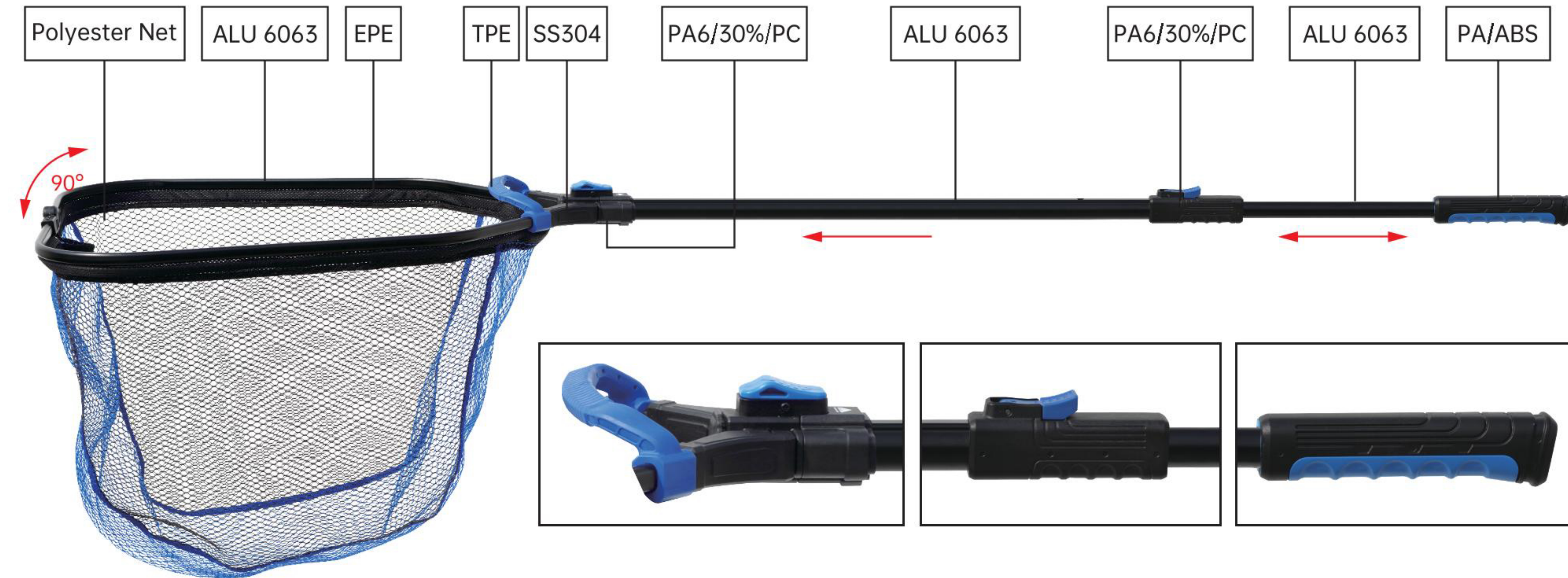
ITEM 编号	HOOP SIZE 网径	HOOP DEEP 网深	LENGTH 长度	WEIGHT 重量
CZ-601401	60x50cm	55-60cm	85-140cm	1050g
CZ-701601	70x60cm	65-70cm	95-170cm	1200g
CZ-801801	80x70cm	75-80cm	105-180cm	1360g



90° FOLDABLE SQUARE NET (TELESCOPIC HANDLE)

两节90°折叠异形抄网

- Patented product 专利产品
-  ZL·2019 1 0412311.1
-  US· D901,618 S



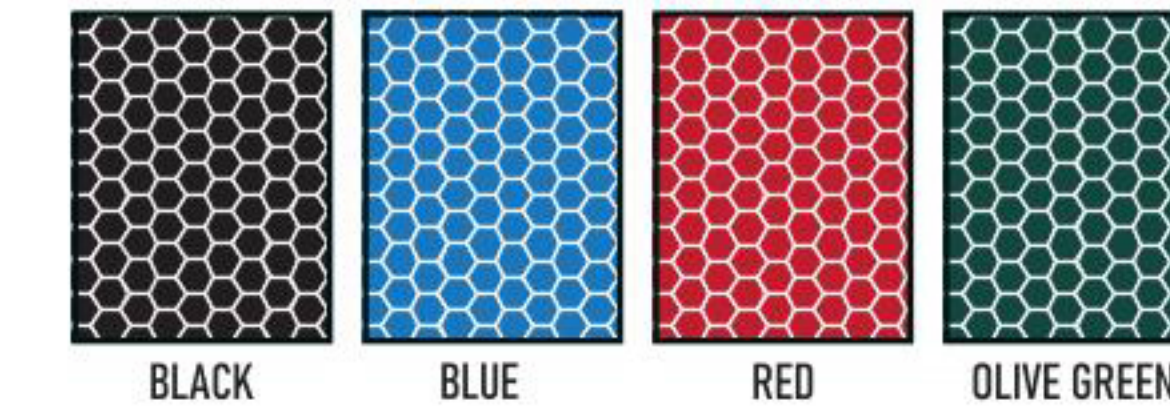
**Aluminum Tube
With Reinforced Rib design**

Material Standard: T5/6063

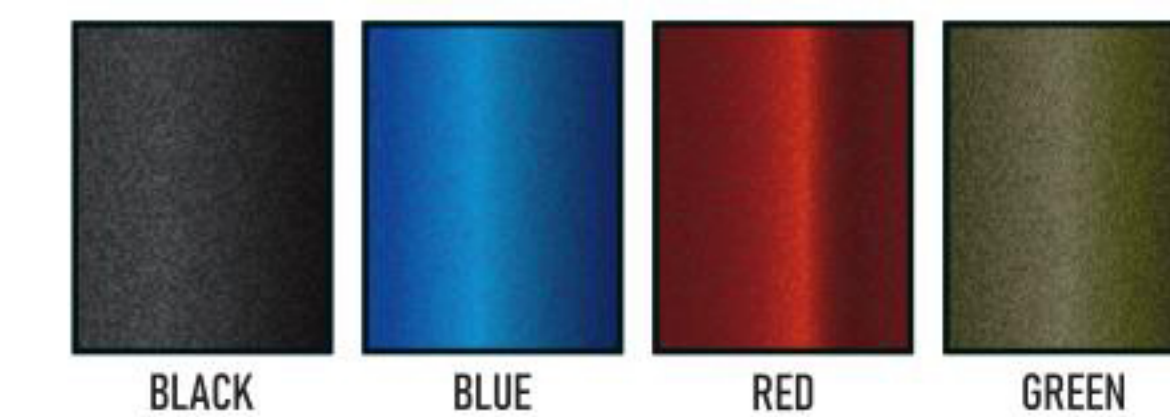
Surface Hardness: ≥HW-12°

Oxidize Thickness: 20μm

MESH COLOR (MESH DIAMETER Ø3-13MM)



ALUMINUM ALLOY COLOR





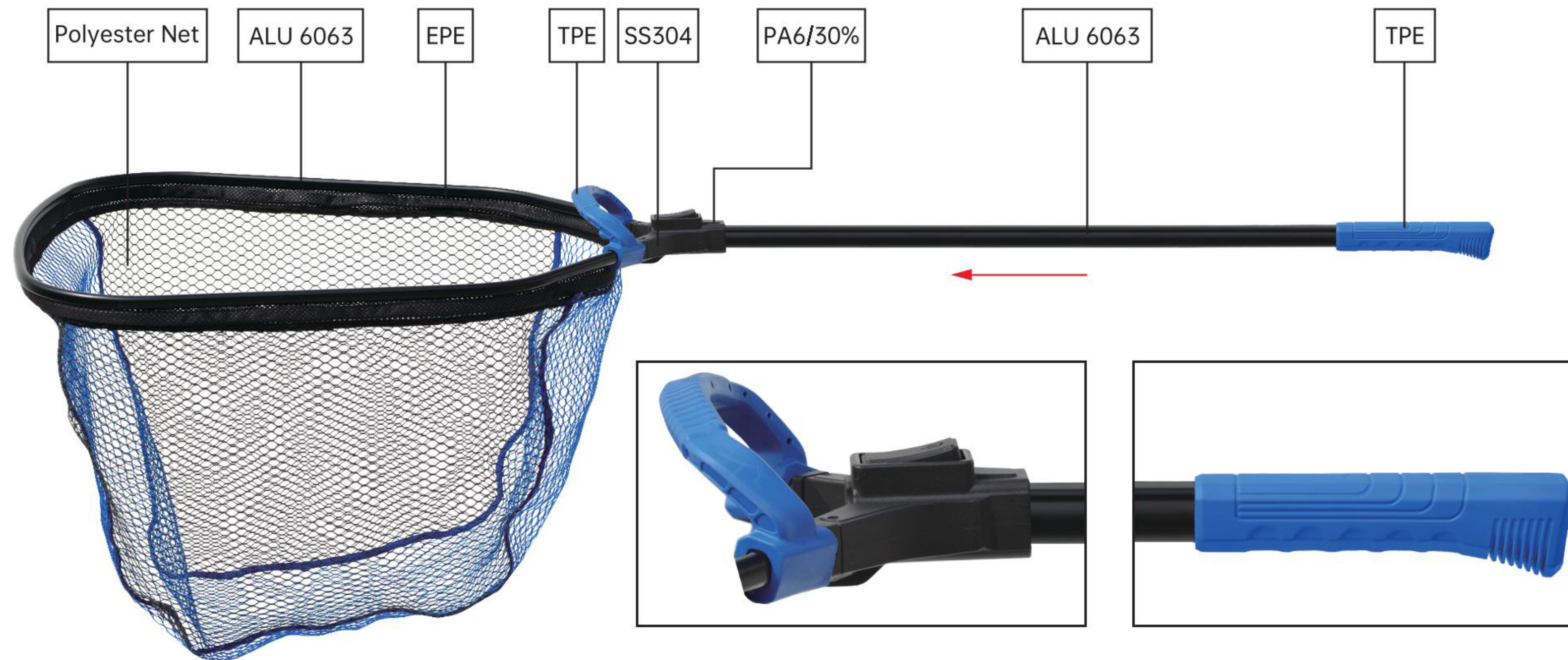
90° FOLDABLE SQUARE NET(PROTECTIVE)
二节90°折叠异形抄网（内置）

ITEM 编号	HOOP SIZE 网径	HOOP DEEP 网深	LENGTH 长度	WEIGHT 重量
CY-602102	60x50cm	55-60cm	210cm	1380g
CY-702402	70x60cm	65-70cm	240cm	1555g



SLIDING BOAT LANDING NET(1 PCS HANDLE)

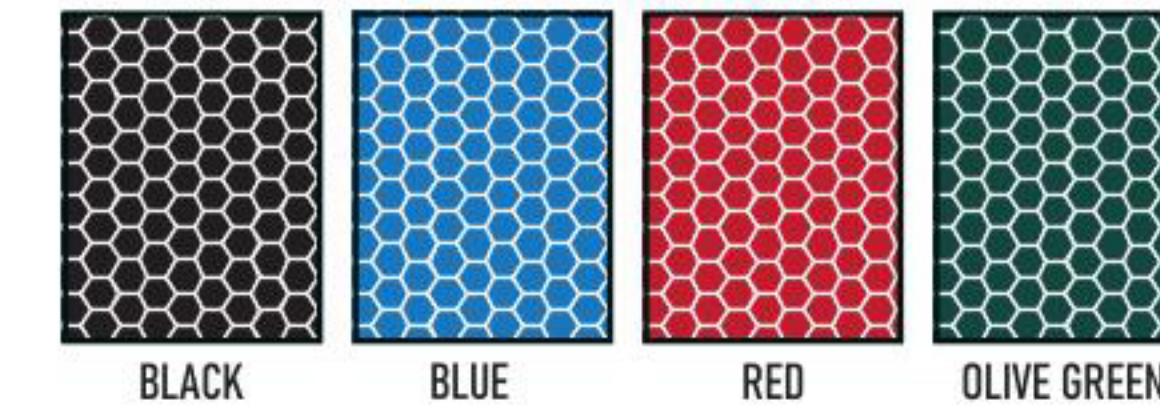
一节异形抄网



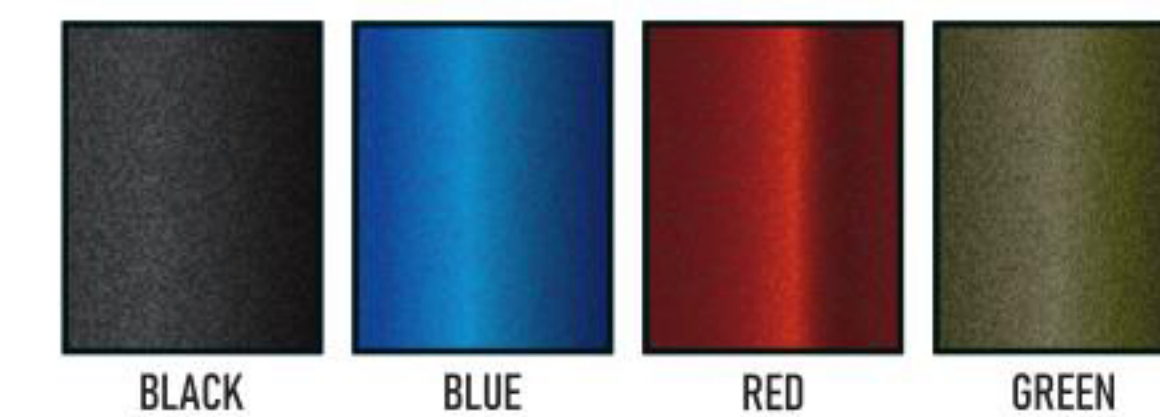
**Aluminum Tube
With Reinforced Rib design**

Material Standard: T5/6063
Surface Hardness: \geq HW-12°
Oxidize Thickness: 20 μ m

MESH COLOR (MESH DIAMETER \varnothing 3-13MM)



ALUMINUM ALLOY COLOR





SLIDING BOAT LANDING NET(PROTECTIVE)
一节异形抄网 (内置)

ITEM 编号	HOOP SIZE 网径	HOOP DEEP 网深	LENGTH 长度	WEIGHT 重量
DZ-501201	50x40cm	45-50cm	70-120cm	530g
DZ-601401	60x50cm	55-60cm	80-140cm	810g
DZ-701601	70x60cm	65-70cm	90-160cm	1060g
DZ-801801	80x70cm	75-80cm	100-180cm	1430g



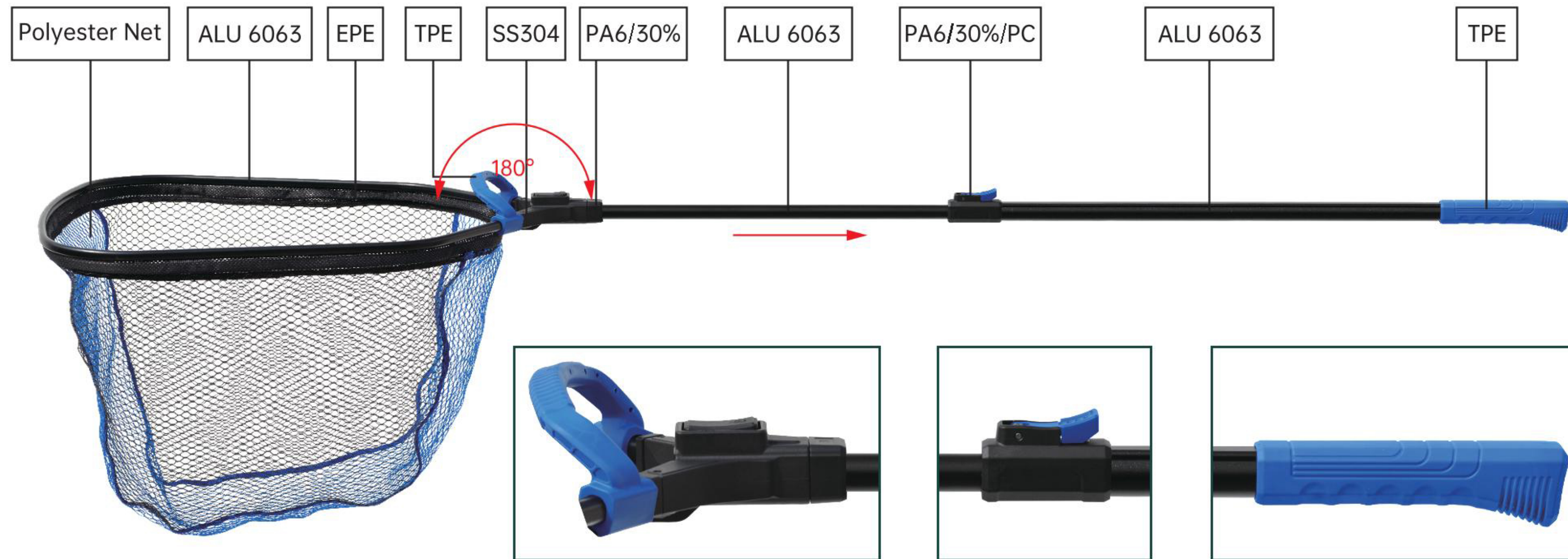
QUICK RELEASE BOAT LANDING NET(TELESCOPIC HANDLE)

两节异形抄网

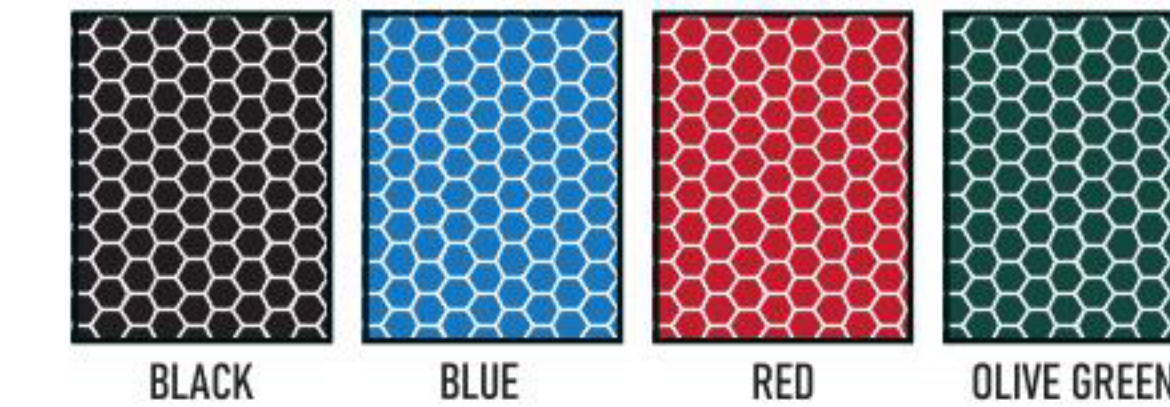


**Aluminum Tube
With Reinforced Rib design**

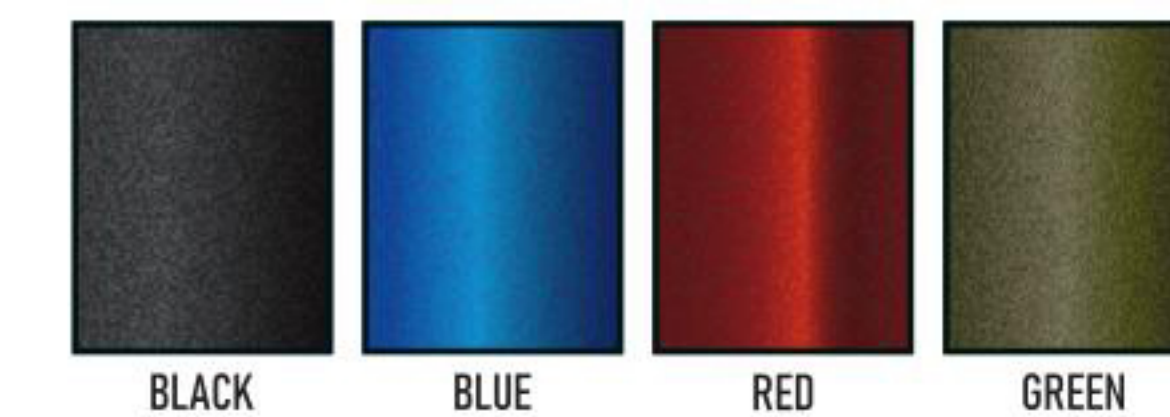
Material Standard: T5/6063
Surface Hardness: \geq HW-12°
Oxidize Thickness: 20 μ m



MESH COLOR (MESH DIAMETER \varnothing 3-13MM)



ALUMINUM ALLOY COLOR





QUICK RELEASE BOAT LANDING NET(PROTECTIVE)
两节异形抄网（内置）

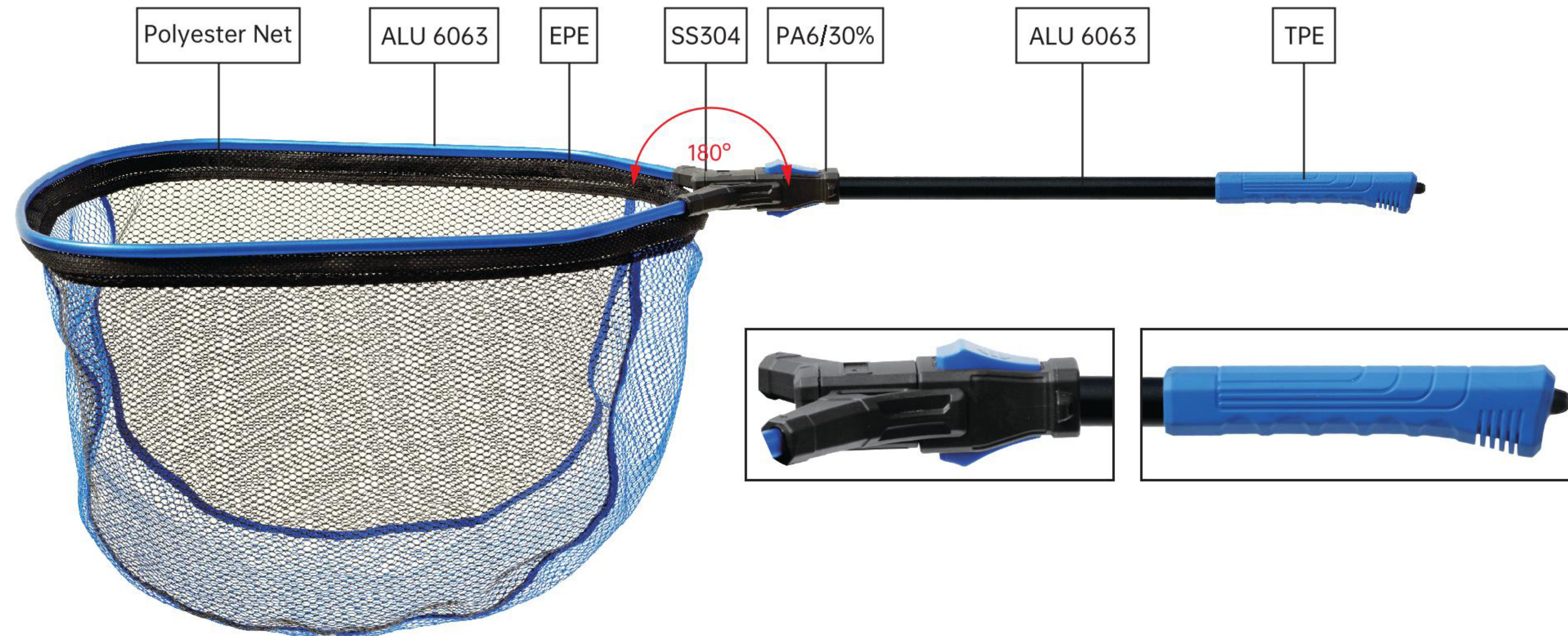
ITEM 编号	HOOP SIZE 网径	HOOP DEEP 网深	LENGTH 长度	WEIGHT 重量
DY-501602	50x40cm	45-50cm	70-160cm	660g
DY-601902	60x50cm	55-60cm	80-190cm	990g
DY-702202	70x60cm	65-70cm	90-220cm	1320g
DY-802502	80x70cm	75-80cm	100-250cm	1745g



180° FOLDABLE LURE FISHING NET(1 PCS HANDLE)

一节180°折叠路亚抄网

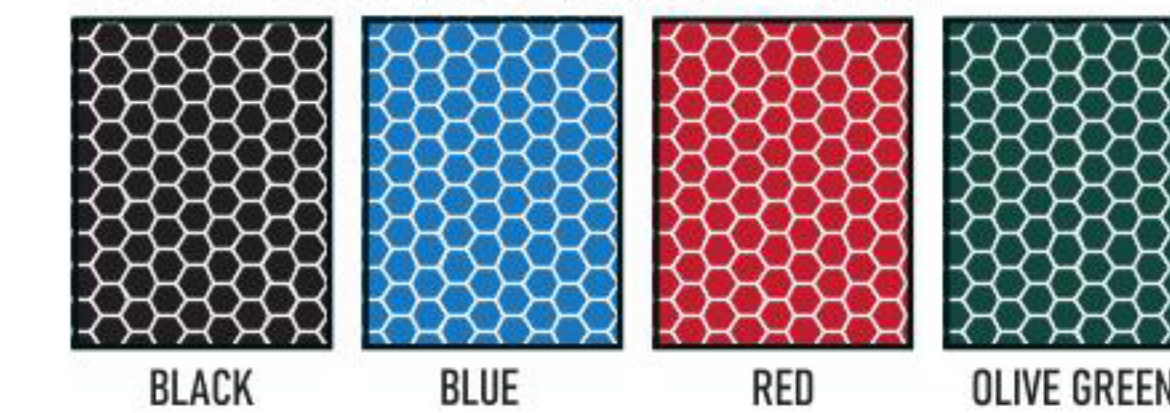
- Patented product 专利产品
-  ZL·2019 1 0412311.1
  US· D901,618 S



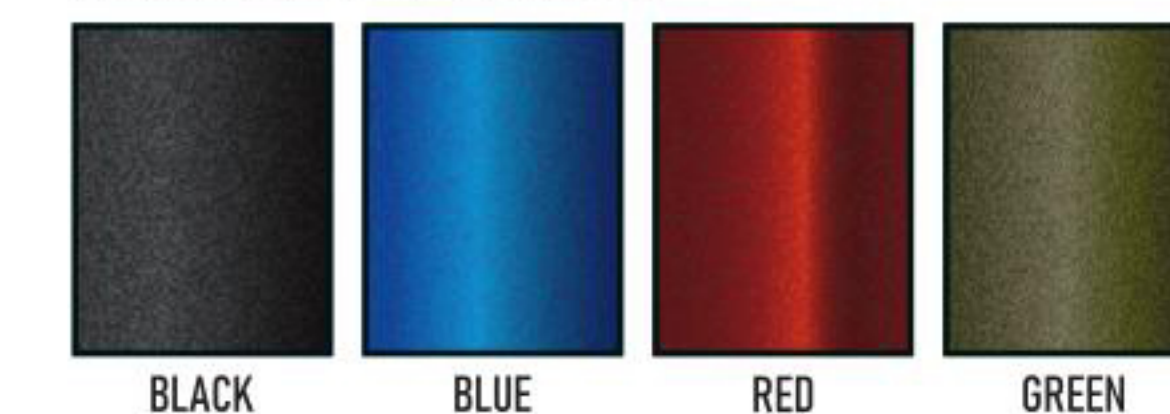
**Aluminum Tube
With Reinforced Rib design**

Material Standard: T5/6063
Surface Hardness: \geq HW-12°
Oxidize Thickness: 20 μ m

MESH COLOR (MESH DIAMETER \varnothing 3-13MM)



ALUMINUM ALLOY COLOR





180° FOLDABLE LURE FISHING NET(PROTECTIVE)
一节180°折叠路亚抄网 (内置)

ITEM 编号	HOOP SIZE 网径	HOOP DEEP 网深	LENGTH 长度	WEIGHT 重量
EZ-501001	50x40cm	45-50cm	55-100cm	520g
EZ-551101	55x45cm	50-55cm	60-110cm	560g





180° FOLDABLE LURE FISHING NET(PROTECTIVE)
一节180°折叠路亚抄网 (内置)

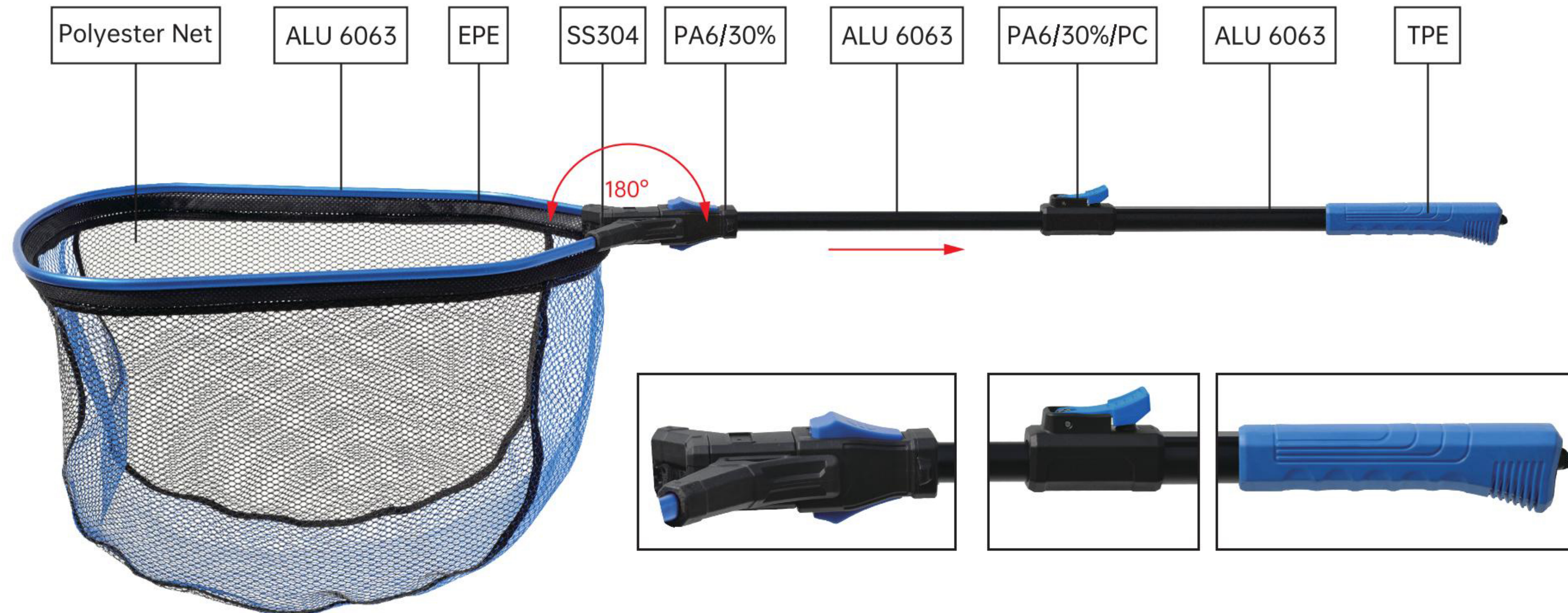
ITEM 编号	HOOP SIZE 网径	HOOP DEEP 网深	LENGTH 长度	WEIGHT 重量
EY-501001	50x40cm	45x50cm	55-100cm	470g
EY-551101	55x45cm	50x55cm	60-110cm	510g



180° FOLDABLE LURE FISHING NET(TELESCOPIC HANDLE)

两节180°折叠路亚抄网

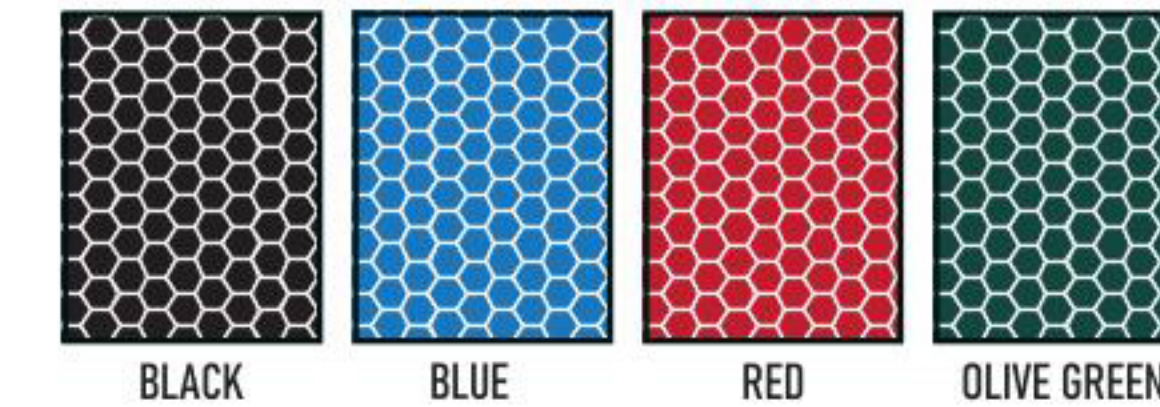
- Patented product 专利产品
-  ZL·2019 1 0412311.1
  US· D901,618 S



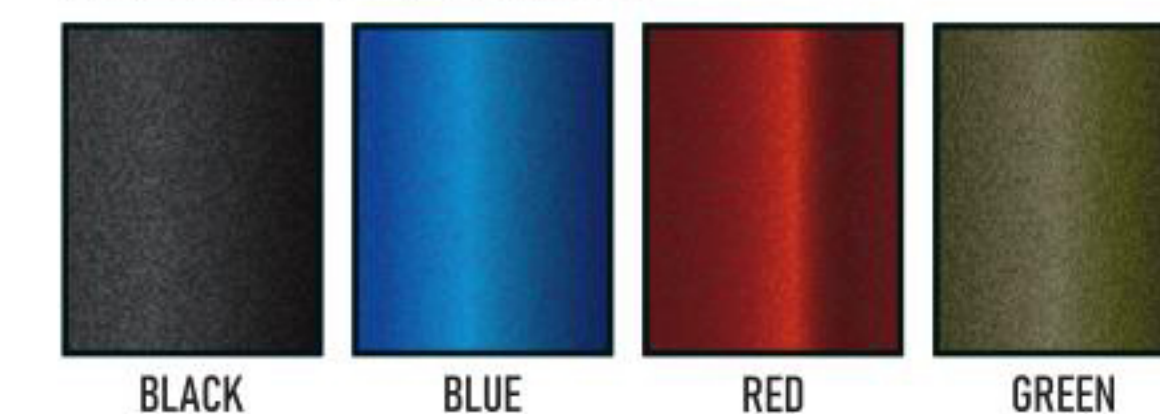
**Aluminum Tube
With Reinforced Rib design**

Material Standard: T5/6063
Surface Hardness: \geq HW-12°
Oxidize Thickness: 20 μ m

MESH COLOR (MESH DIAMETER \varnothing 3-13MM)



ALUMINUM ALLOY COLOR





180° FOLDABLE LURE FISHING NET(PROTECTIVE)
两节180°折叠路亚抄网（内置）

ITEM 编号	HOOP SIZE 网径	HOOP DEEP 网深	LENGTH 长度	WEIGHT 重量
EZ-501252	50x40cm	45-50cm	55-125cm	690g
EZ-551352	55x45cm	50-55cm	60-135cm	745g



180° FOLDABLE LURE FISHING NET(PROTECTIVE)
两节180°折叠路亚抄网（内置）

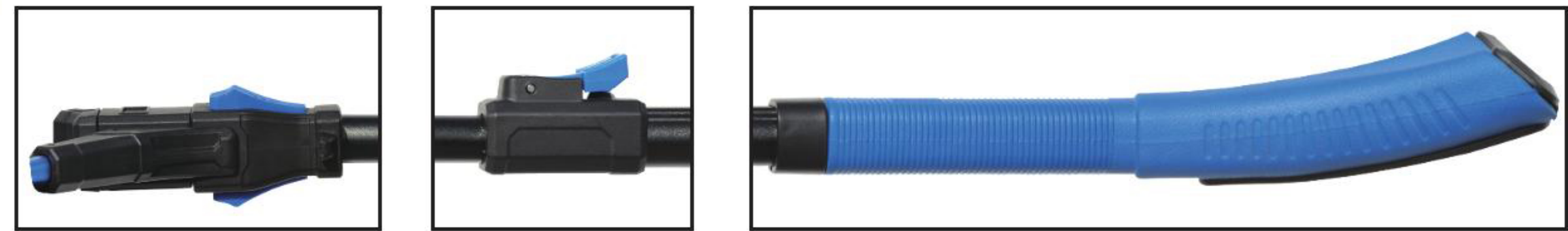
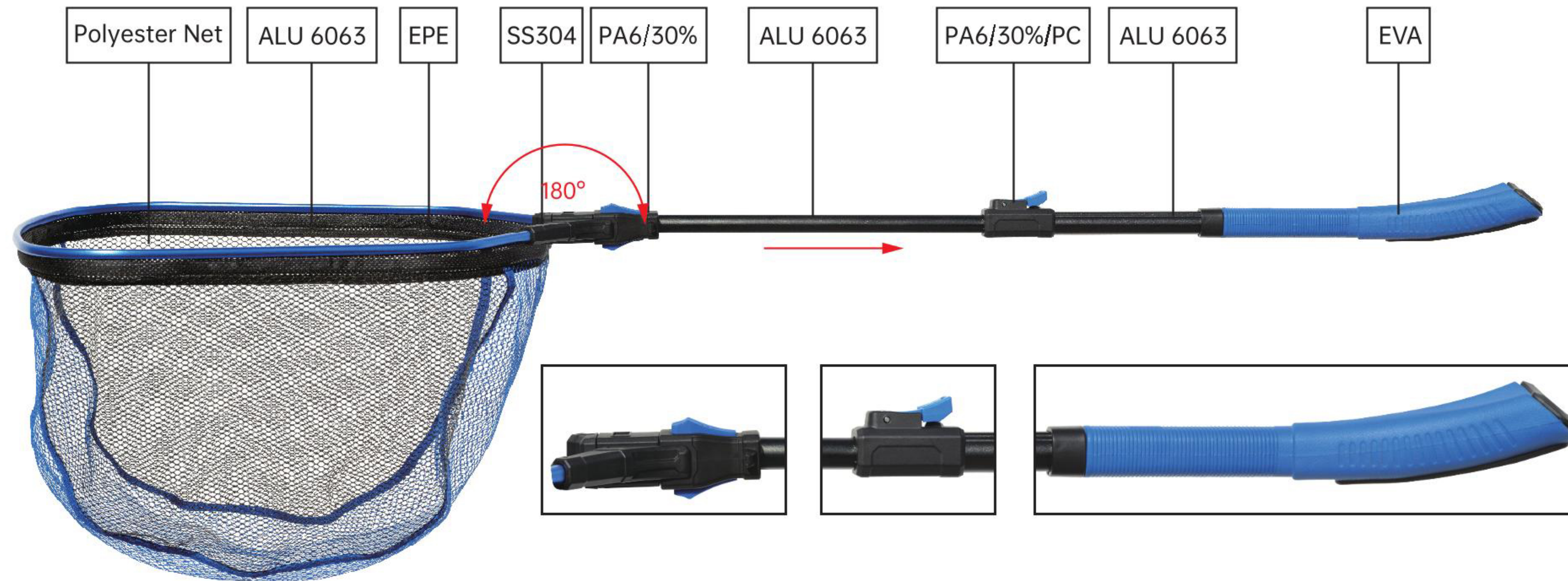
ITEM 编号	HOOP SIZE 网径	HOOP DEEP 网深	LENGTH 长度	WEIGHT 重量
EY-501252	50x40cm	45-50cm	55-125cm	640g
EY-551352	55x45cm	50-55cm	60-135cm	685g



ARM SUPPORT LURE FISHING NET(TELESCOPIC HANDLE)

二节托臂式路亚抄网

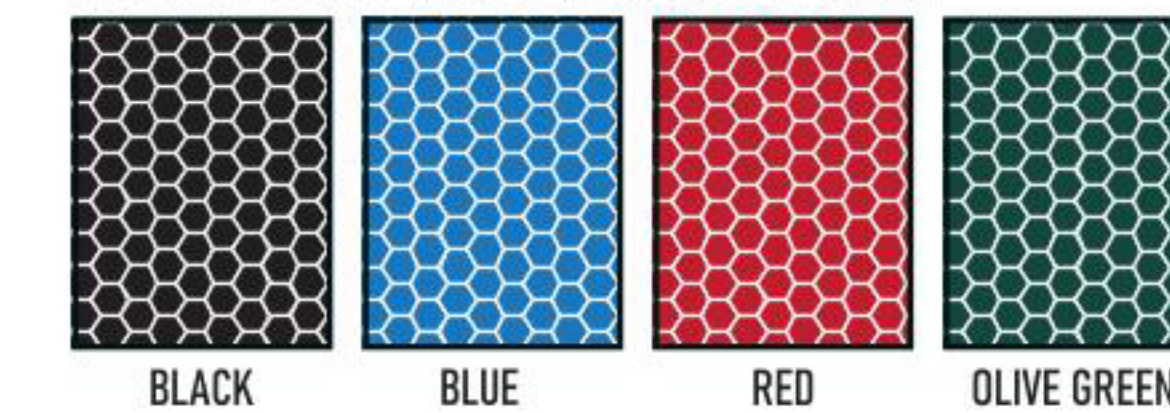
- Patented product  US· D902,343 S  No 007800628-0001
专利产品



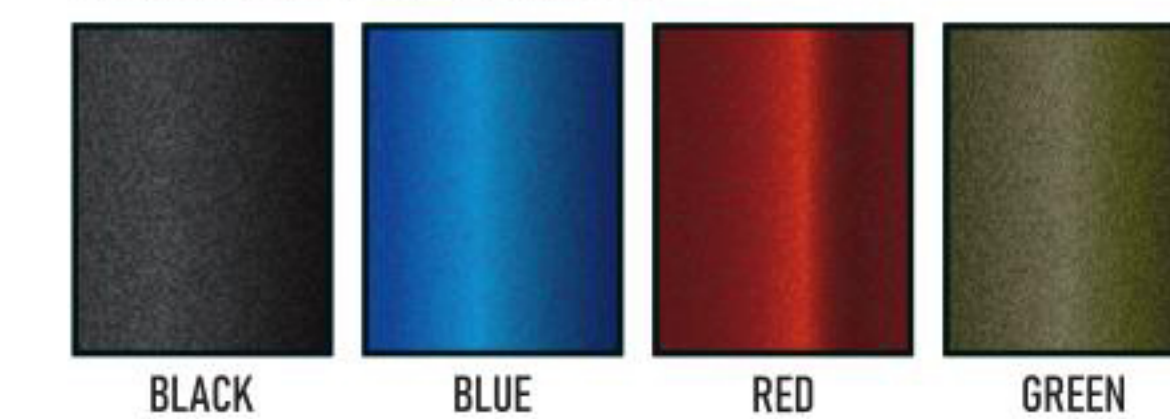
**Aluminum Tube
With Reinforced Rib design**

Material Standard: T5/6063
Surface Hardness: ≥HW-12°
Oxidize Thickness: 20μm

MESH COLOR (MESH DIAMETER Ø3-13MM)



ALUMINUM ALLOY COLOR





ARM SUPPORT LURE FISHING NET(PROTECTIVE)
二节托臂式路亚抄网 (内置)

ITEM 编号	HOOP SIZE 网径	HOOP DEEP 网深	LENGTH 长度	WEIGHT 重量
EX-501202	50x40cm	45-50cm	55-120cm	710g
EX-551352	55x45cm	50-55cm	60-135cm	765g



FLY FISHING NET

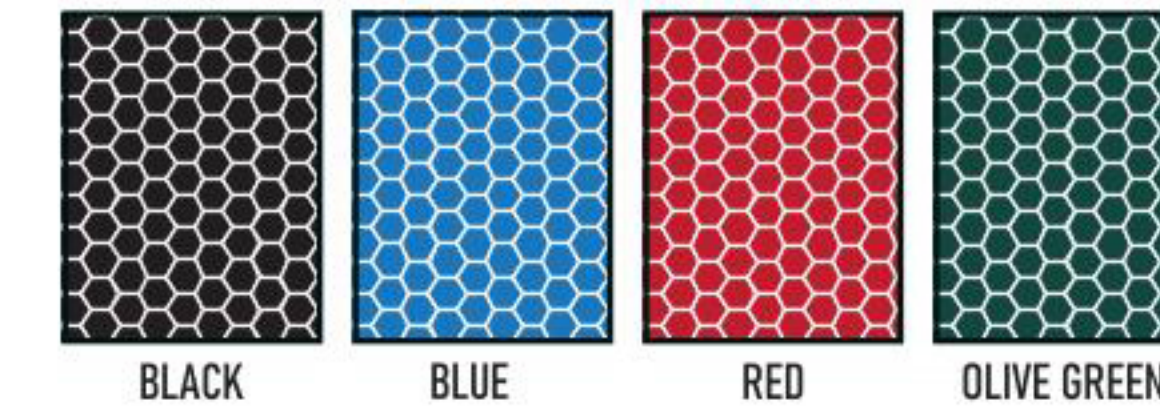
飞蝇钓抄网



Aluminum Tube With Reinforced Rib design

Material Standard: T5/6063
Surface Hardness: \geq HW-12°
Oxidize Thickness: 20 μ m

MESH COLOR (MESH DIAMETER \varnothing 3-13MM)



BLACK BLUE RED OLIVE GREEN

ALUMINUM ALLOY COLOR



BLACK BLUE RED GREEN



T5/6063
Built in network circle



T5/6063
Prototype aluminum tube



T5/6063
Irregular aluminum tube



FLY FISHING NET(PROTECTIVE)
飞蝇钓抄网 (内置)

ITEM 编号	HOOP SIZE 网径	HOOP DEEP 网深	LENGTH 长度	WEIGHT 重量
FZO-450651	45x35cm	40-45cm	65cm	270g
FZO-500701	50x40cm	45-50cm	70cm	320g



FLOATING FLY FISHING NET(PROTECTIVE)
飞蝇钓抄网 (内置)

ITEM 编号	HOOP SIZE 网径	HOOP DEEP 网深	LENGTH 长度	WEIGHT 重量
FYO-450701	45x35cm	40-45cm	70cm	280g
FYO-500751	50x40cm	45-50cm	75cm	330g



FLOATING FLY FISHING NET

飞蝇钓抄网

- Patented product
专利产品



US · D855,148 S



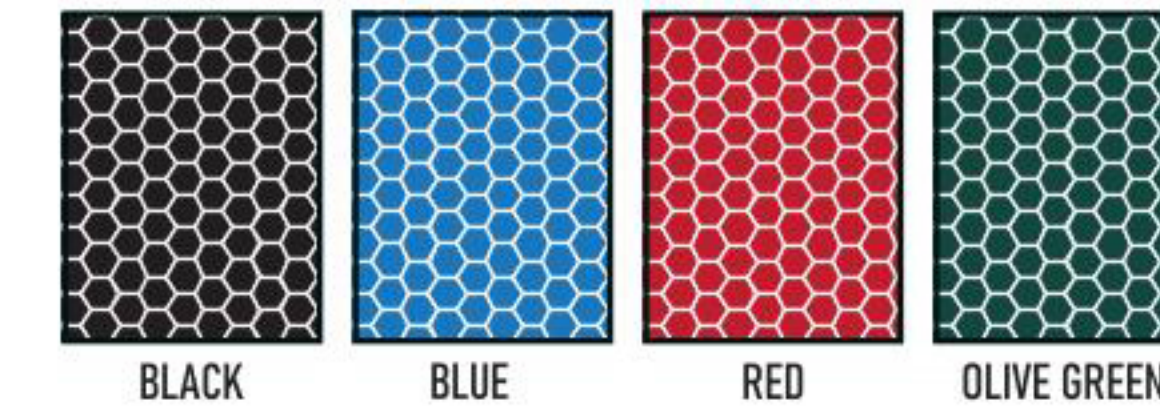
**Aluminum Tube
With Reinforced Rib design**

Material Standard: T5/6063

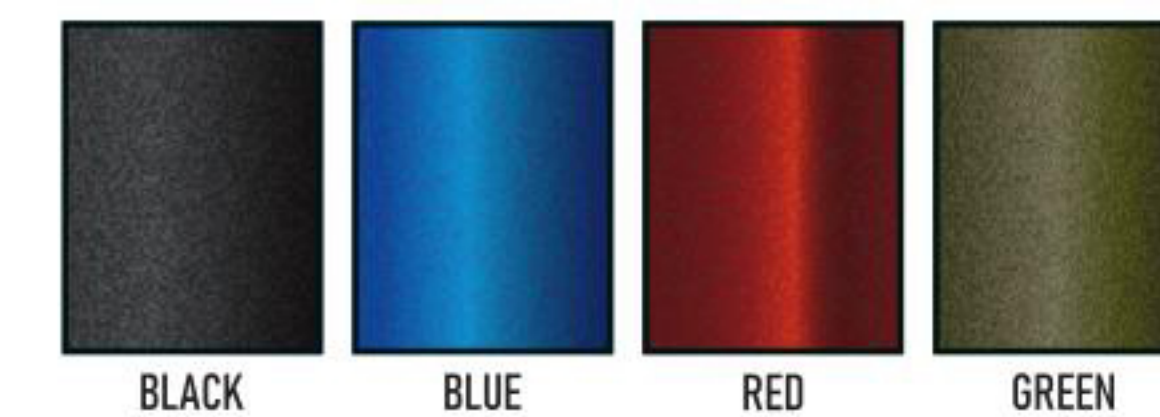
Surface Hardness: \geq HW-12°

Oxidize Thickness: 20 μ m

MESH COLOR (MESH DIAMETER \varnothing 3-13MM)



ALUMINUM ALLOY COLOR



T5/6063
Built in network circle



T5/6063
Prototype aluminum tube



T5/6063
Irregular aluminum tube



FLOATING FLY FISHING NET(PROTECTIVE)
飞蝇钓抄网 (内置)

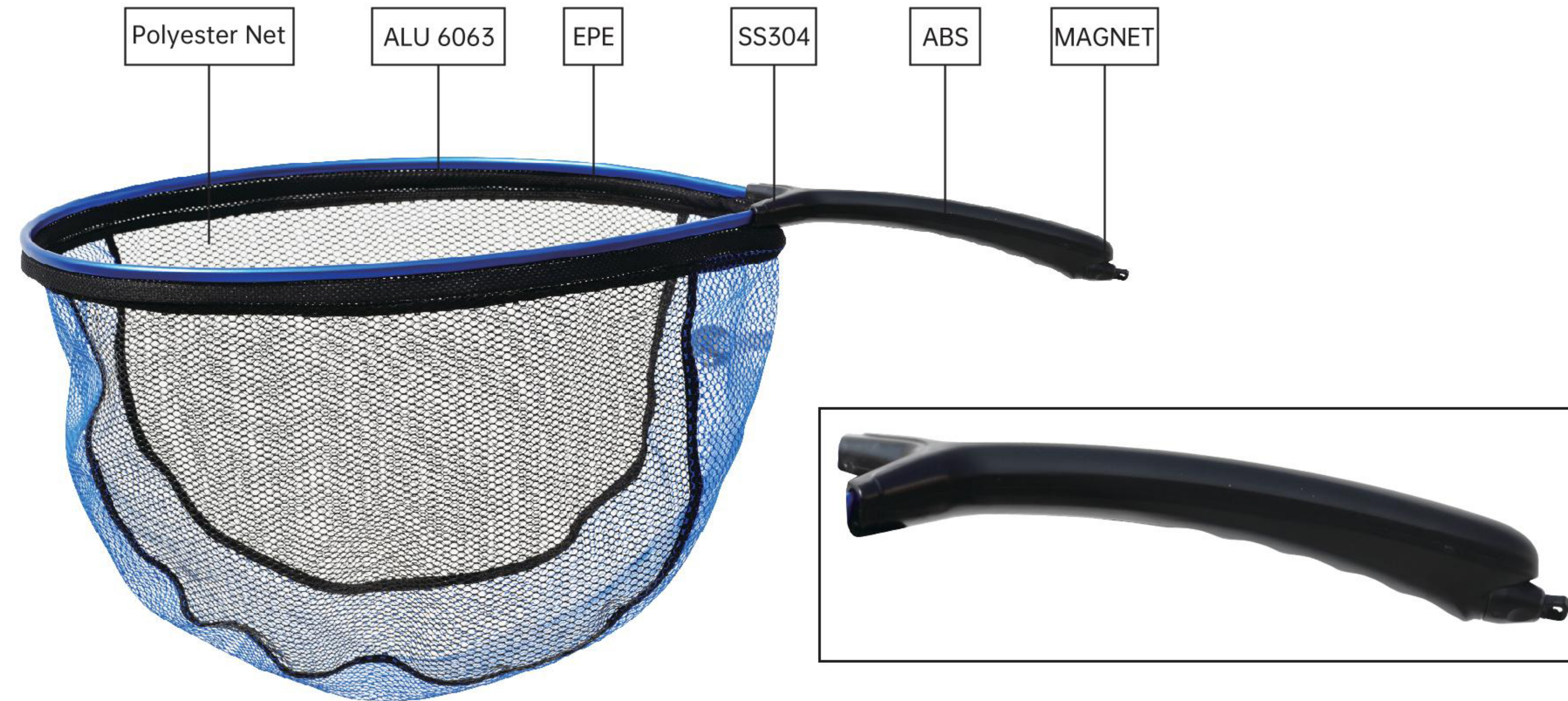
ITEM 编号	HOOP SIZE 网径	HOOP DEEP 网深	LENGTH 长度	WEIGHT 重量
FXO-450701	45x35cm	40-45cm	70cm	300g
FXO-500751	50x40cm	45-50cm	75cm	350g



FLOATING FLY FISHING NET

飞蝇钓抄网

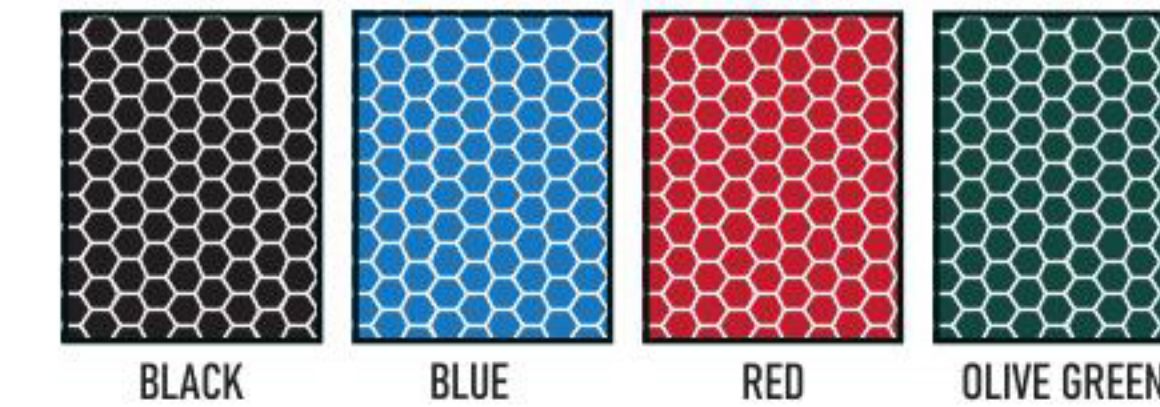
- Patented product  US· D855,148 S
专利产品



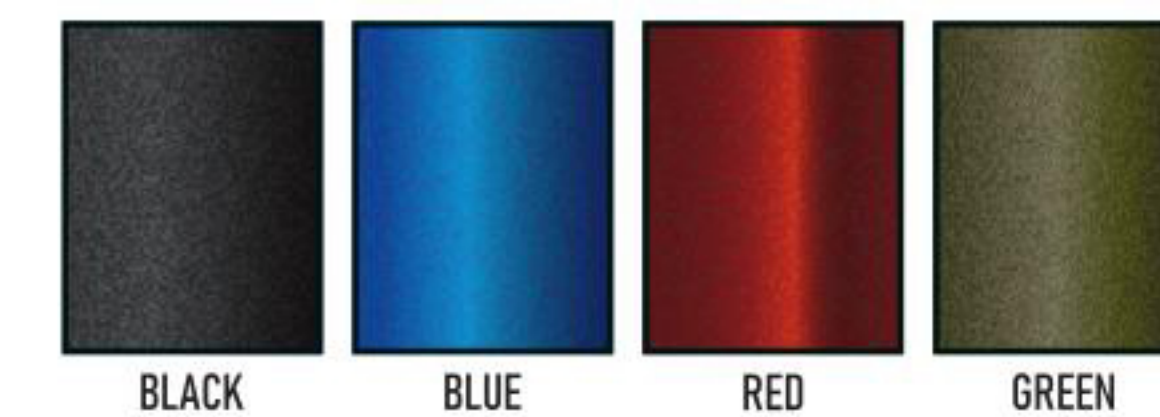
**Aluminum Tube
With Reinforced Rib design**

Material Standard: T5/6063
Surface Hardness: \geq HW-12°
Oxidize Thickness: 20 μ m

MESH COLOR (MESH DIAMETER \varnothing 3-13MM)



ALUMINUM ALLOY COLOR





FLOATING FLY FISHING NET(PROTECTIVE)
飞蝇钓抄网 (内置)

ITEM 编号	HOOP SIZE 网径	HOOP DEEP 网深	LENGTH 长度	WEIGHT 重量
FWO-450701	45x35cm	40-45cm	70cm	350g
FWO-500751	50x40cm	45-50cm	75cm	400g



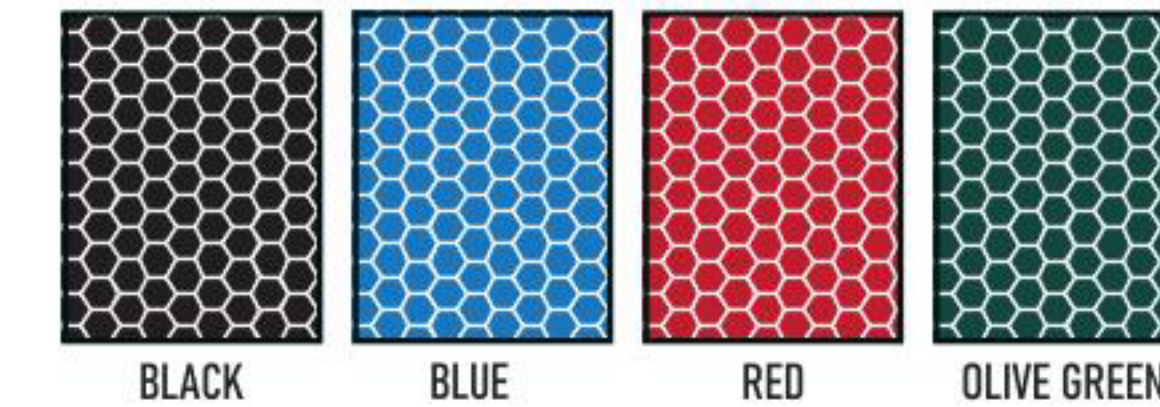
FLOATING FLY FISHING NET

飞蝇钓抄网



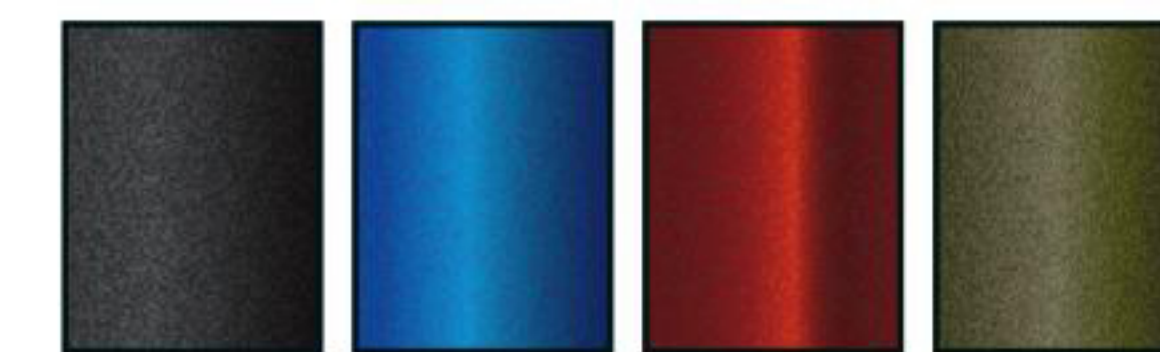
Material Standard: T5/6063
 Surface Hardness: \geq HW-12°
 Oxidize Thickness: 20 μ m

MESH COLOR (MESH DIAMETER \varnothing 3-13MM)



BLACK BLUE RED OLIVE GREEN

ALUMINUM ALLOY COLOR



BLACK BLUE RED GREEN



T5/6063
Built in network circle



T5/6063
Prototype aluminum tube



T5/6063
Irregular aluminum tube



FLOATING FLY FISHING NET(PROTECTIVE)
飞蝇钓抄网 (内置)

ITEM 编号	HOOP SIZE 网径	HOOP DEEP 网深	LENGTH 长度	WEIGHT 重量
FVD-450631	45x35cm	40-45cm	63cm	345g
FVD-500681	50x40cm	45-50cm	68cm	385g



FOLDABLE FLY FISHING NET

飞蝇钓抄网

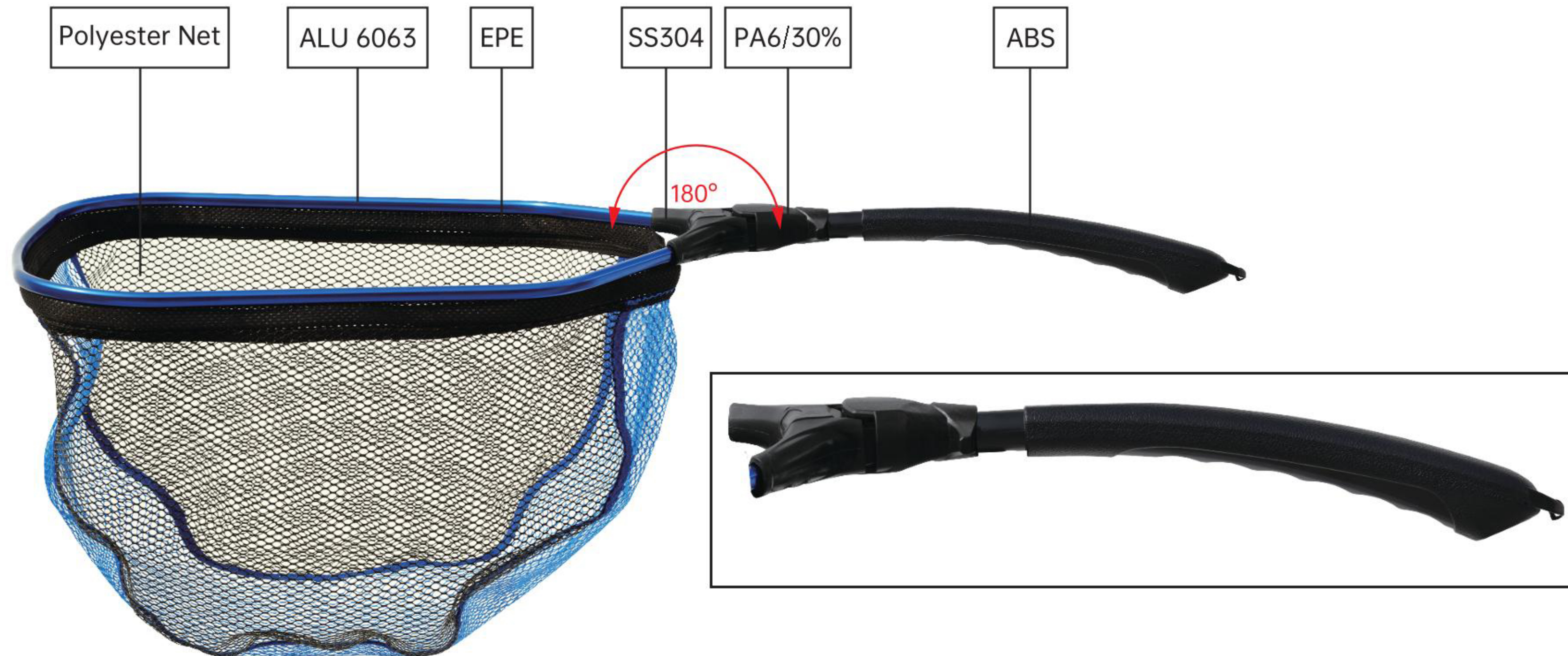
• Patented product
专利产品



ZL·2025 1 1846287.4

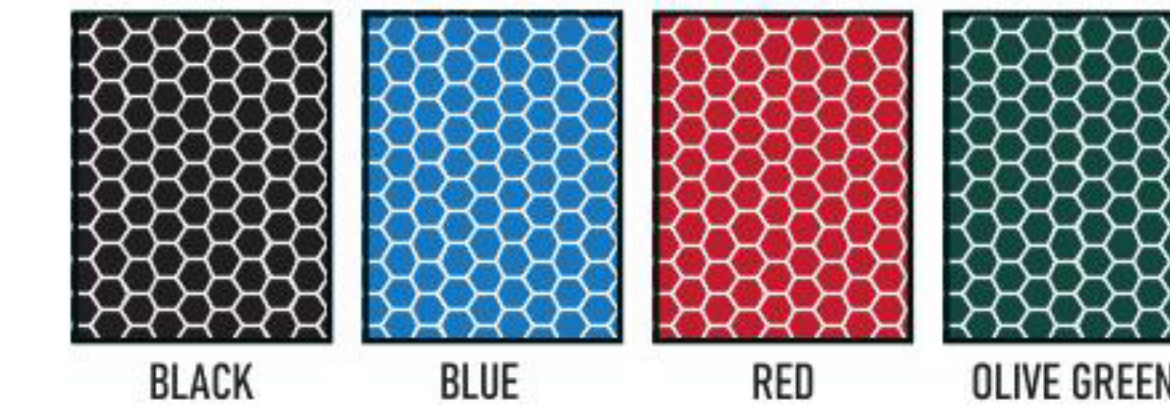


Patent Pending

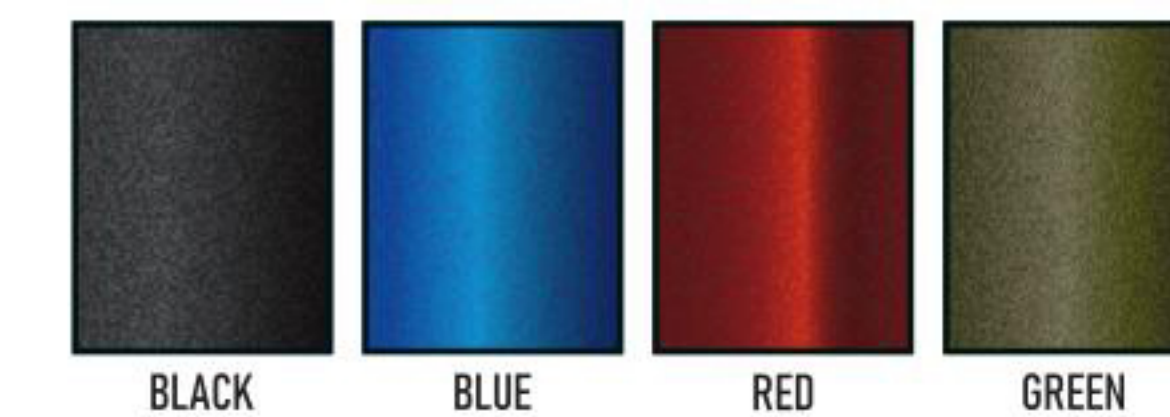


Material Standard: T5/6063
Surface Hardness: \geq HW-12°
Oxidize Thickness: 20 μ m

MESH COLOR (MESH DIAMETER \varnothing 3-13MM)



ALUMINUM ALLOY COLOR






FOLDABLE FLY FISHING NET(PROTECTIVE)
飞蝇钓抄网 (内置)

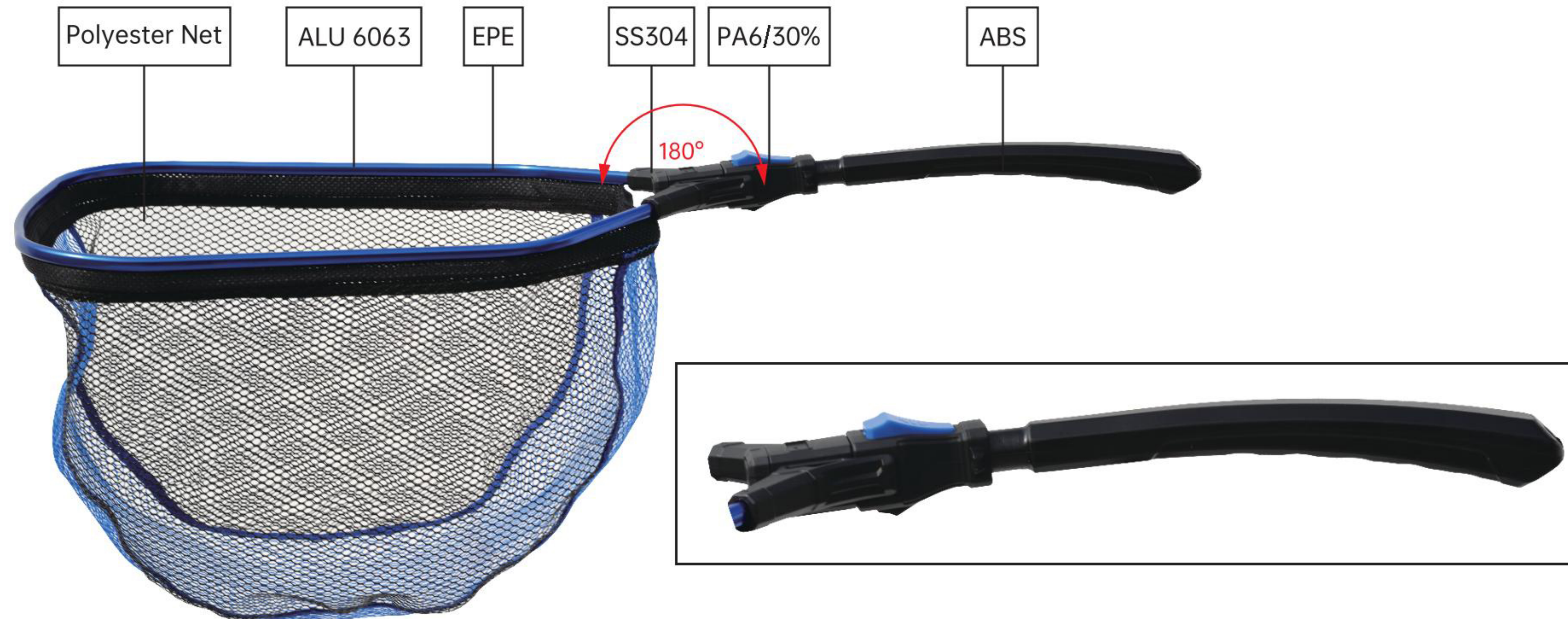
ITEM 编号	HOOP SIZE 网径	HOOP DEEP 网深	LENGTH 长度	WEIGHT 重量
FUD-450671	45x35cm	40-45cm	48-67cm	430g
FUD-500721	50x40cm	45-50cm	53-72cm	480g



FOLDABLE FLY FISHING NET

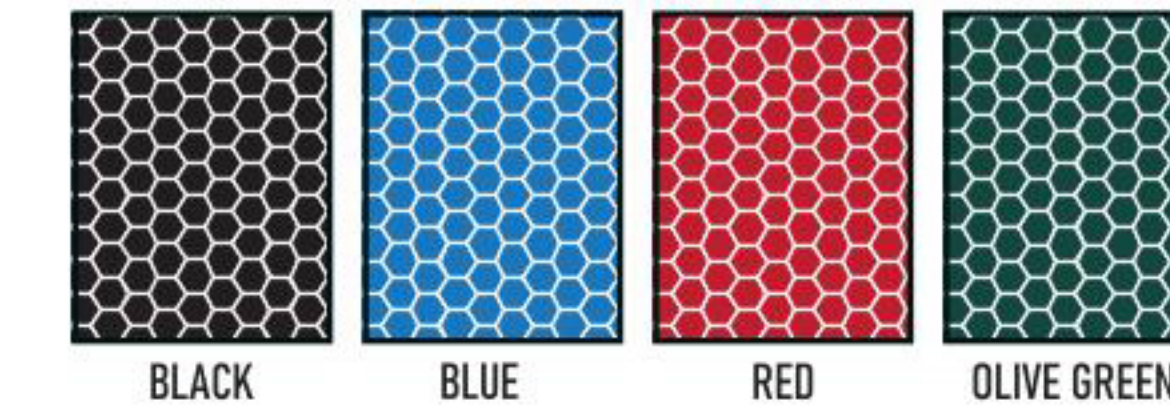
飞蝇钓抄网

- Patented product 专利产品
-  ZL·2019 1 0412311.1
-  US· D901,618 S

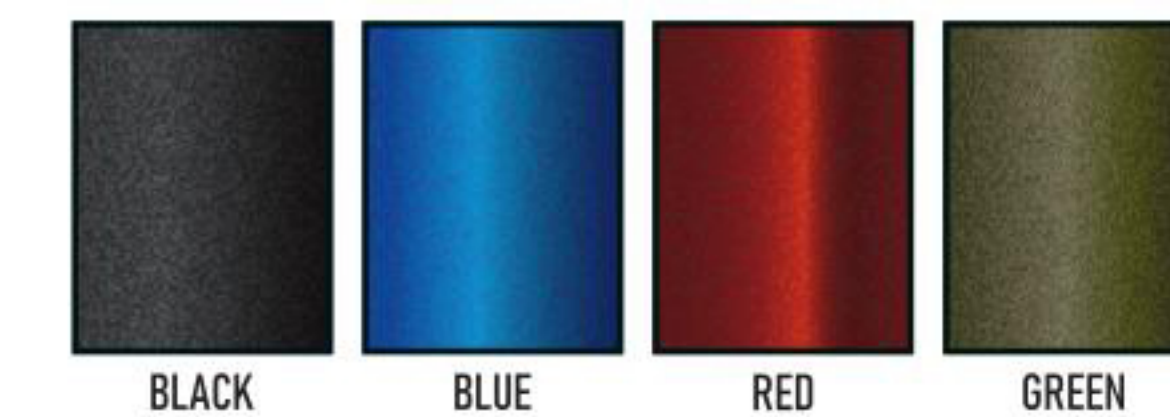


Material Standard: T5/6063
 Surface Hardness: \geq HW-12°
 Oxidize Thickness: 20 μ m

MESH COLOR (MESH DIAMETER \varnothing 3-13MM)



ALUMINUM ALLOY COLOR





FOLDABLE FLY FISHING NET(PROTECTIVE)
飞蝇钓抄网 (内置)

ITEM 编号	HOOP SIZE 网径	HOOP DEEP 网深	LENGTH 长度	WEIGHT 重量
FTD-450651	45x35cm	40-45cm	48-67cm	435g
FTD-500701	50x40cm	45-50cm	53-72cm	485g



3K CARBON FIBER COMPETITION NET HEAD

3K碳纤维竞技网头

- Patented product
专利产品

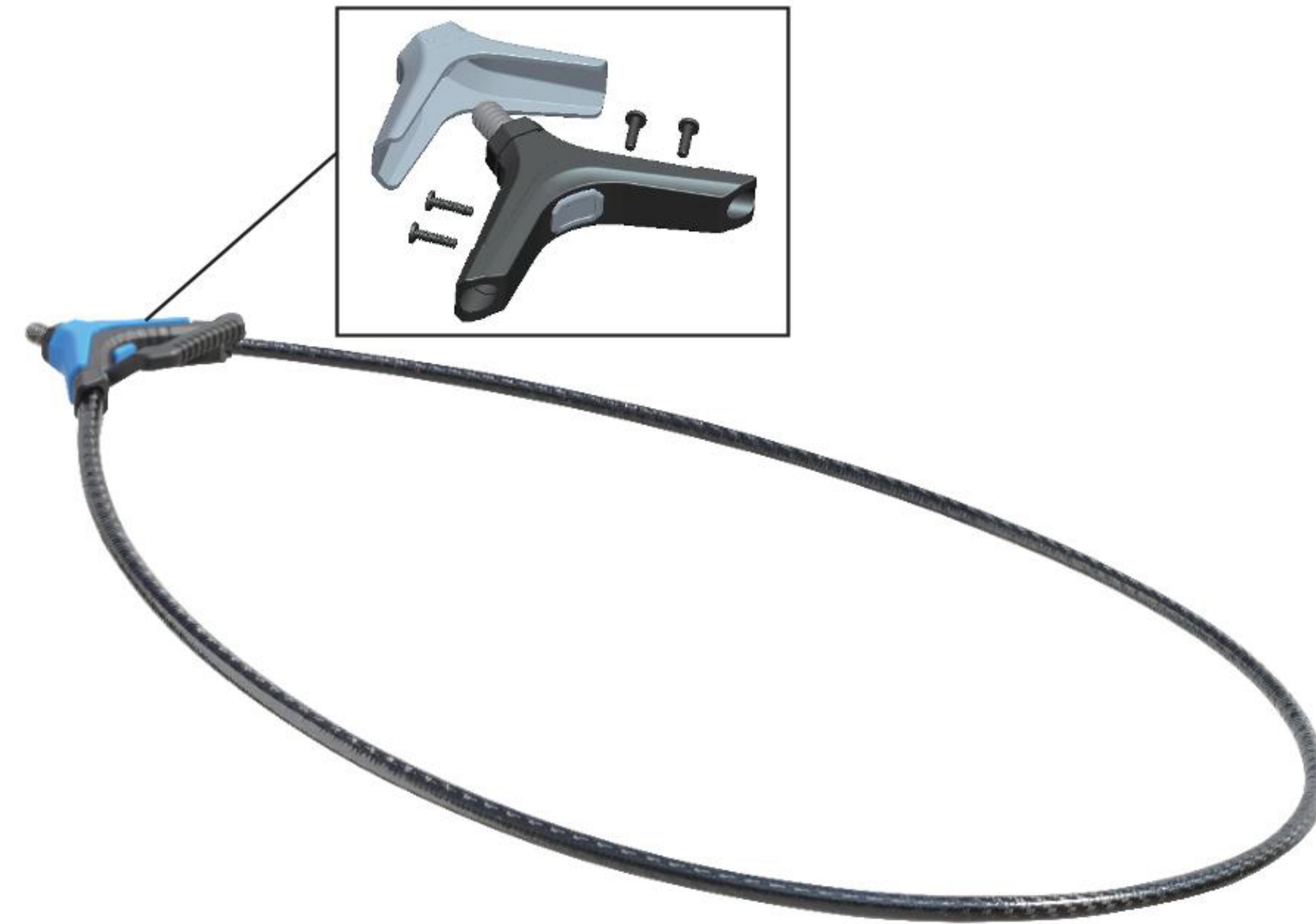


ZL·2025 1 1877326.7

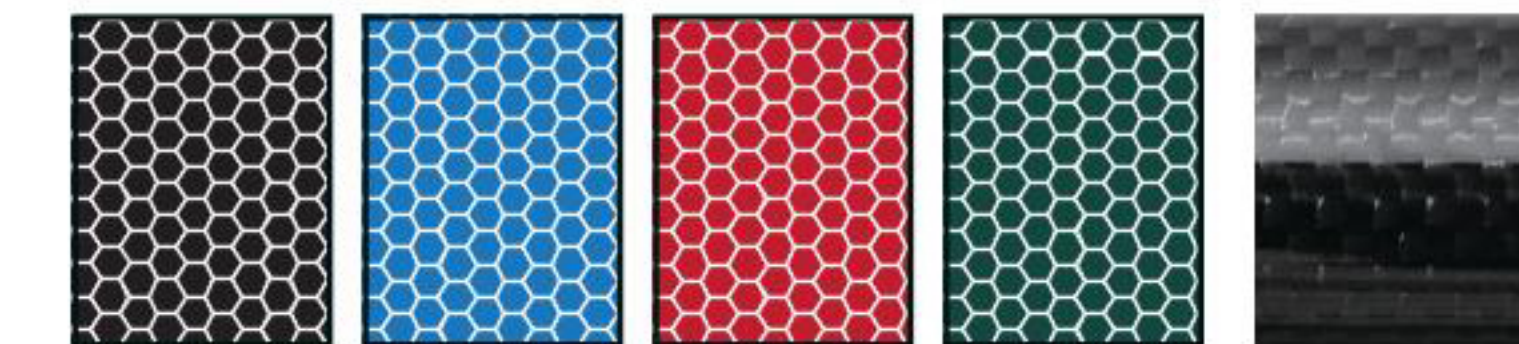
ZL·2019 2 0716108.9



Titanium alloy PP PA6/30% 3K Carbon Polyester Net



MESH COLOR (MESH DIAMETER \varnothing 3-13MM)



BLACK BLUE RED OLIVE GREEN 3K CARBON



COMPETITION NET HEAD(EXTERNAL)
3K碳纤维竞技网头 (外置)

ITEM 编号	HOOP SIZE 网径	HOOP DEEP 网深	LENGTH 长度	WEIGHT 重量
GUO-500551	50x40cm	40-45cm	54cm	200g
GUO-600601	60x50cm	50-55cm	59cm	242g



COMPETITION NET HEAD(EXTERNAL)
3K碳纤维竞技网头 (外置)

ITEM 编号	HOOP SIZE 网径	HOOP DEEP 网深	LENGTH 长度	WEIGHT 重量
GTO-500551	50x40cm	40-45cm	54cm	205g
GTO-600601	60x50cm	50-55cm	59cm	247g



3K CARBON FIBER COMPETITION NET HEAD

3K碳纤维竞技网头

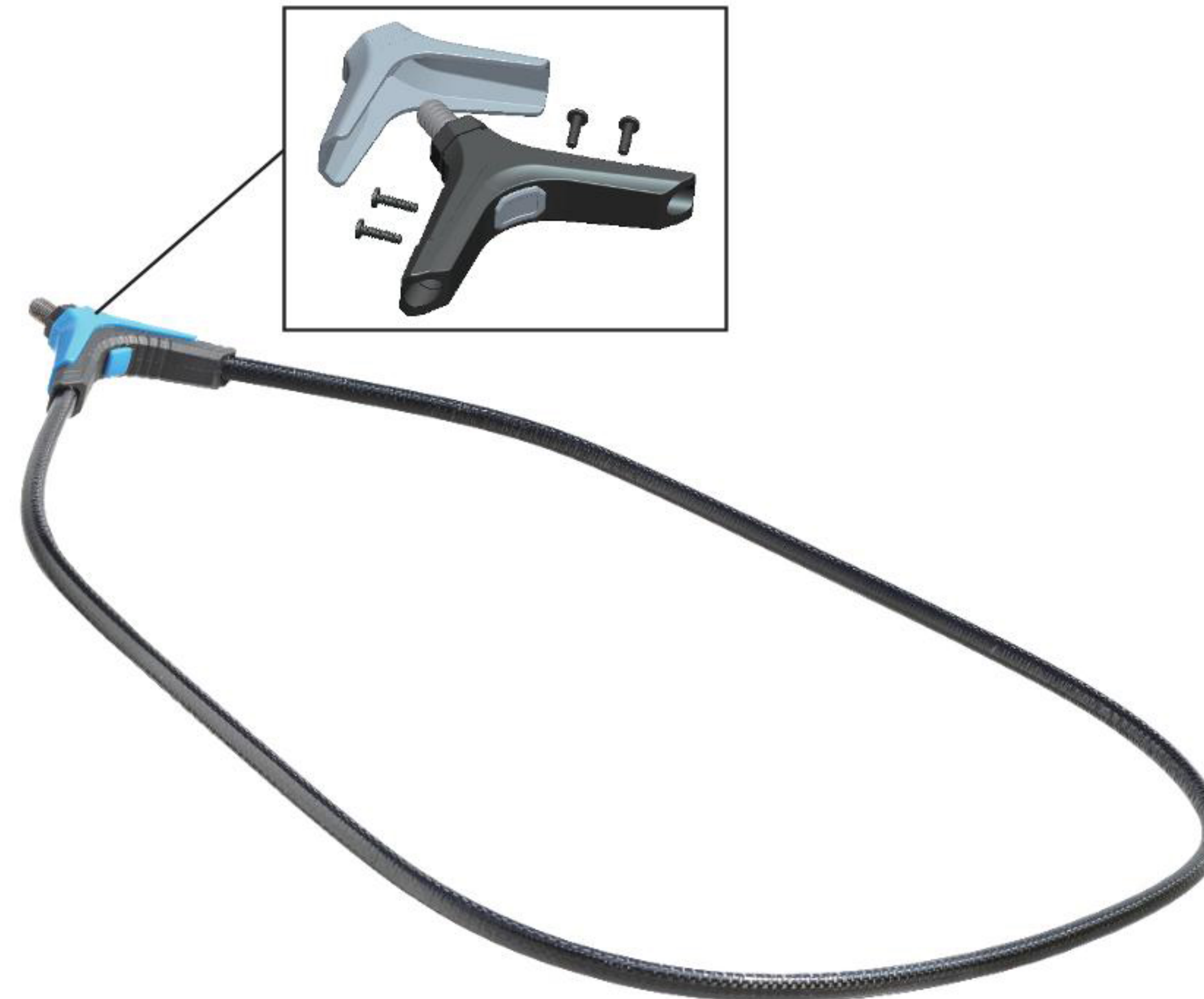
- Patented product
专利产品



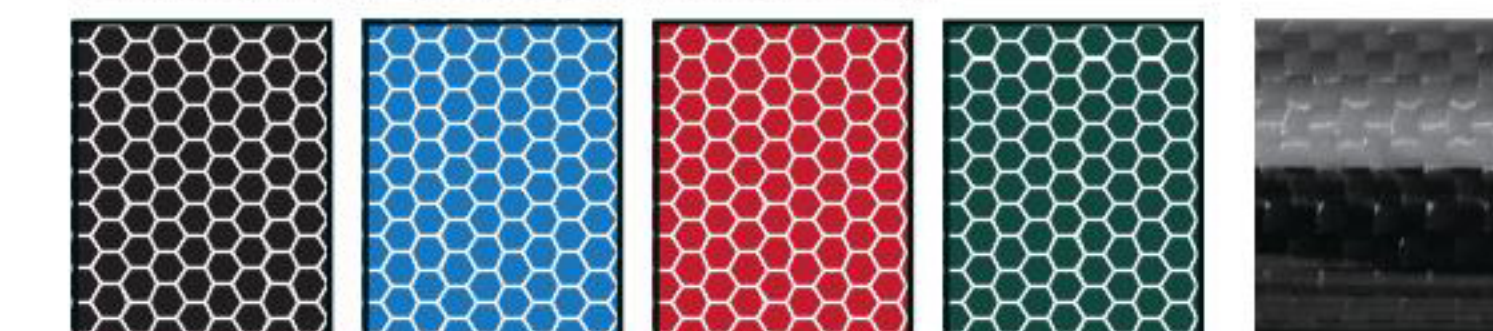
ZL·2025 1 1877326.7

ZL·2019 2 0716108.9

Titanium alloy PP PA6/30% 3K Carbon Polyester Net



MESH COLOR (MESH DIAMETER Ø3-13MM)



BLACK BLUE RED OLIVE GREEN 3K CARBON



COMPETITION NET HEAD(EXTERNAL)
3K碳纤维竞技网头 (外置)

ITEM 编号	HOOP SIZE 网径	HOOP DEEP 网深	LENGTH 长度	WEIGHT 重量
GUD-500551	50x40cm	45-35cm	54cm	200g
GUD-600601	60x50cm	55-45cm	59cm	242g



COMPETITION NET HEAD(EXTERNAL)
3K碳纤维竞技网头 (外置)

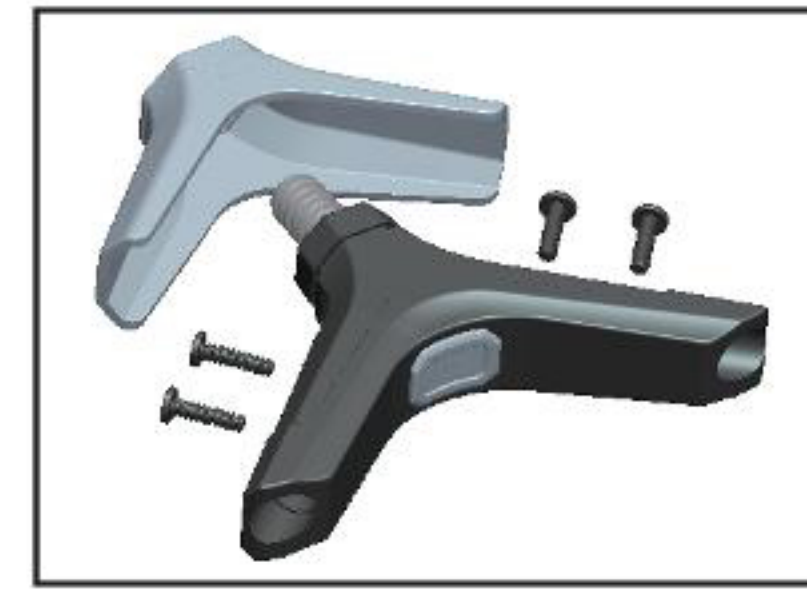
ITEM 编号	HOOP SIZE 网径	HOOP DEEP 网深	LENGTH 长度	WEIGHT 重量
GTD-500551	50x40cm	45-35cm	54cm	205g
GTD-600601	60x50cm	55-45cm	59cm	247g



COMPETITION NET HEAD

竞技网头

- Patented product
专利产品
-  ZL·2019 2 0716108.9

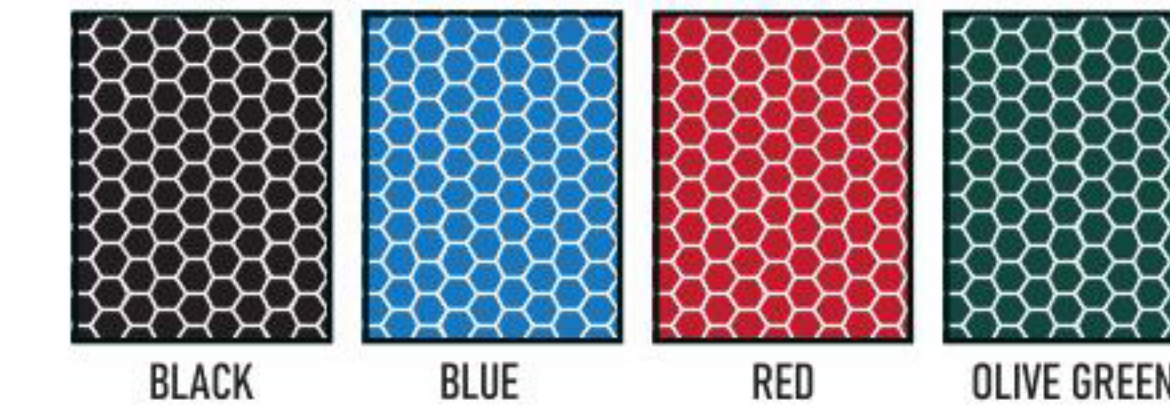


SS304 3/8 ABS PA6/30% ALU 6063 Polyester Net

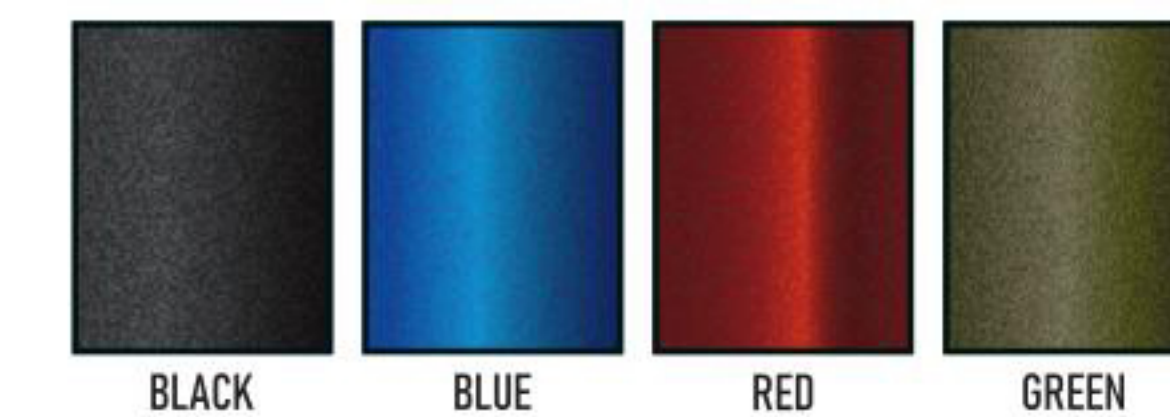


Material Standard: T5/6063
Surface Hardness: \geq HW-12°
Oxidize Thickness: 20 μ m

MESH COLOR (MESH DIAMETER \varnothing 3-13MM)



ALUMINUM ALLOY COLOR





COMPETITION NET HEAD(PROTECTIVE)
竞技网头 (内置)

ITEM 编号	HOOP SIZE 网径	HOOP DEEP 网深	LENGTH 长度	WEIGHT 重量
GYO-450501	45x35cm	40-30cm	49cm	280g
GYO-500551	50x40cm	45-35cm	54cm	320g
GYO-550601	55x45cm	50-40cm	59cm	357g
GYO-600651	60x50cm	55-45cm	64cm	413g



COMPETITION NET HEAD(PROTECTIVE)
竞技网头 (内置)

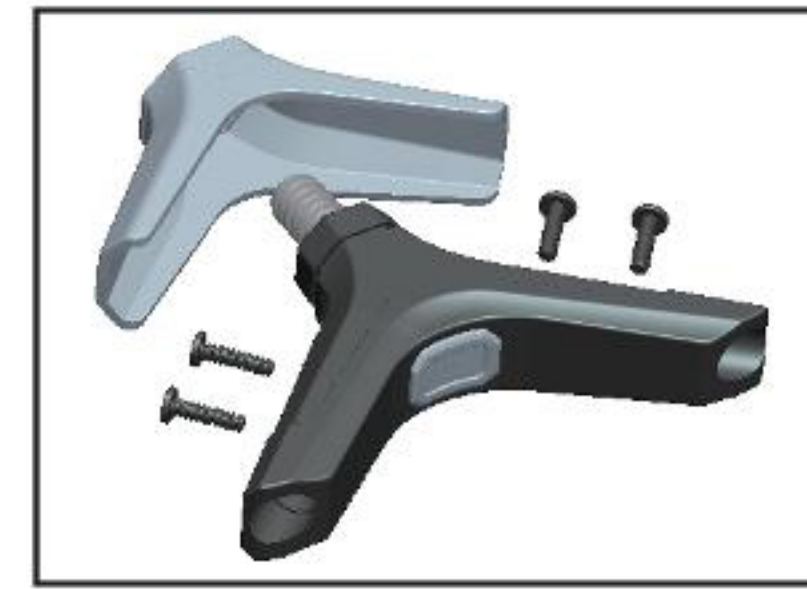
ITEM 编号	HOOP SIZE 网径	HOOP DEEP 网深	LENGTH 长度	WEIGHT 重量
GXO-450501	45x35cm	40-30cm	49cm	285g
GXO-500551	50x40cm	45-35cm	54cm	325g
GXO-550601	55x45cm	50-40cm	59cm	362g
GXO-600651	60x50cm	55-45cm	64cm	418g



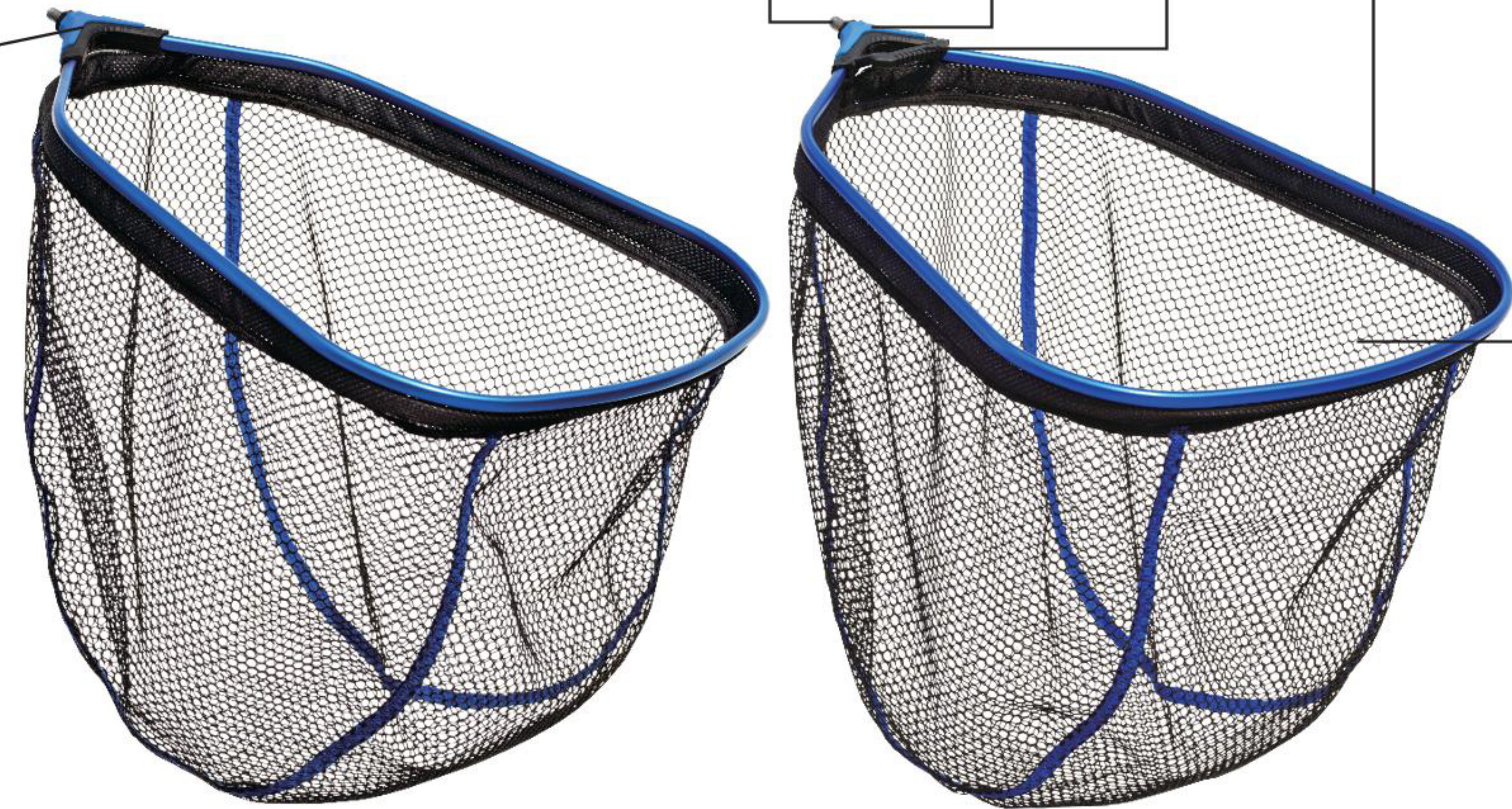
COMPETITION NET HEAD

竞技网头

- Patented product  ZL·2019 2 0716108.9
专利产品

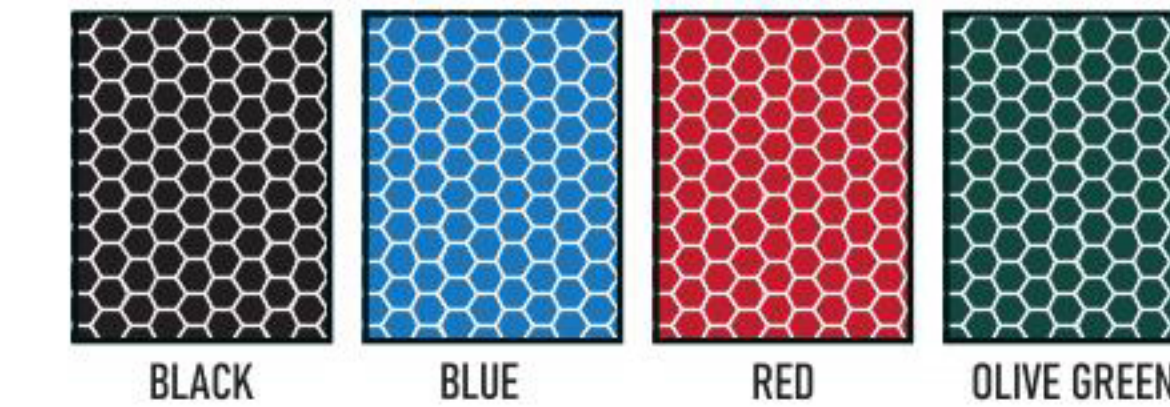


SS304 3/8 ABS PA6/30% ALU 6063 Polyester Net

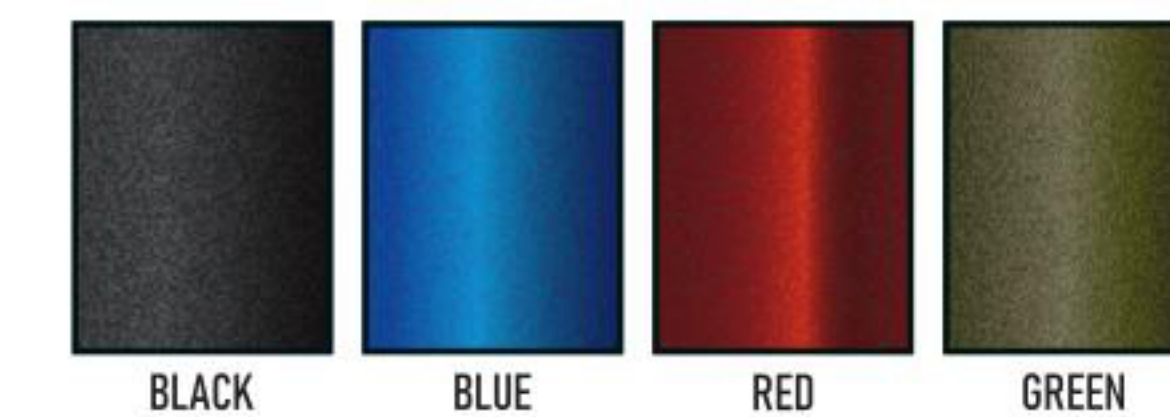


Material Standard: T5/6063
Surface Hardness: \geq HW-12°
Oxidize Thickness: 20 μ m

MESH COLOR (MESH DIAMETER \varnothing 3-13MM)



ALUMINUM ALLOY COLOR





COMPETITION NET HEAD(PROTECTIVE)
竞技网头 (内置)

ITEM 编号	HOOP SIZE 网径	HOOP DEEP 网深	LENGTH 长度	WEIGHT 重量
GYD-450501	45x35cm	40-30cm	49cm	280g
GYD-500551	50x40cm	45-35cm	54cm	320g
GYD-550601	55x45cm	50-40cm	59cm	357g
GYD-600651	60x50cm	55-45cm	64cm	413g



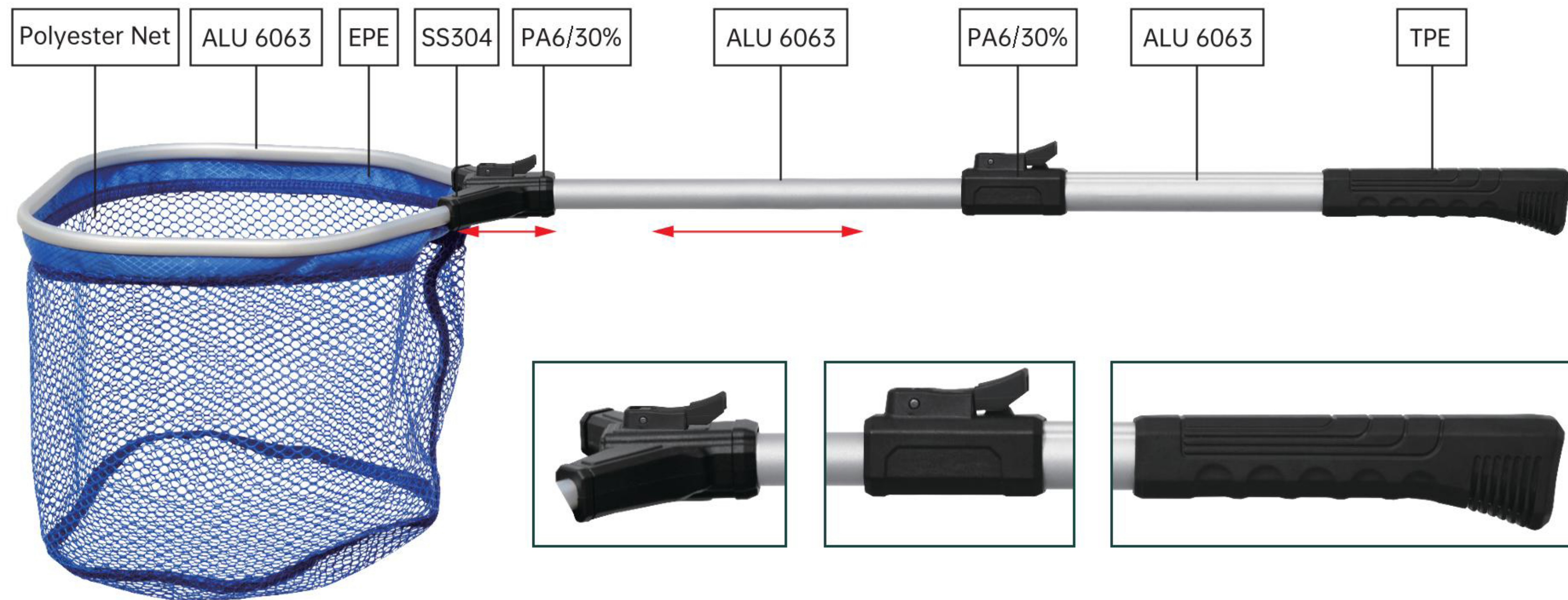
COMPETITION NET HEAD(PROTECTIVE)
竞技网头 (内置)

ITEM 编号	HOOP SIZE 网径	HOOP DEEP 网深	LENGTH 长度	WEIGHT 重量
GXD-450501	45x35cm	40-30cm	49cm	285g
GXD-500551	50x40cm	45-35cm	54cm	325g
GXD-550601	55x45cm	50-40cm	59cm	362g
GXD-600651	60x50cm	55-45cm	64cm	418g



BAITWELL NET

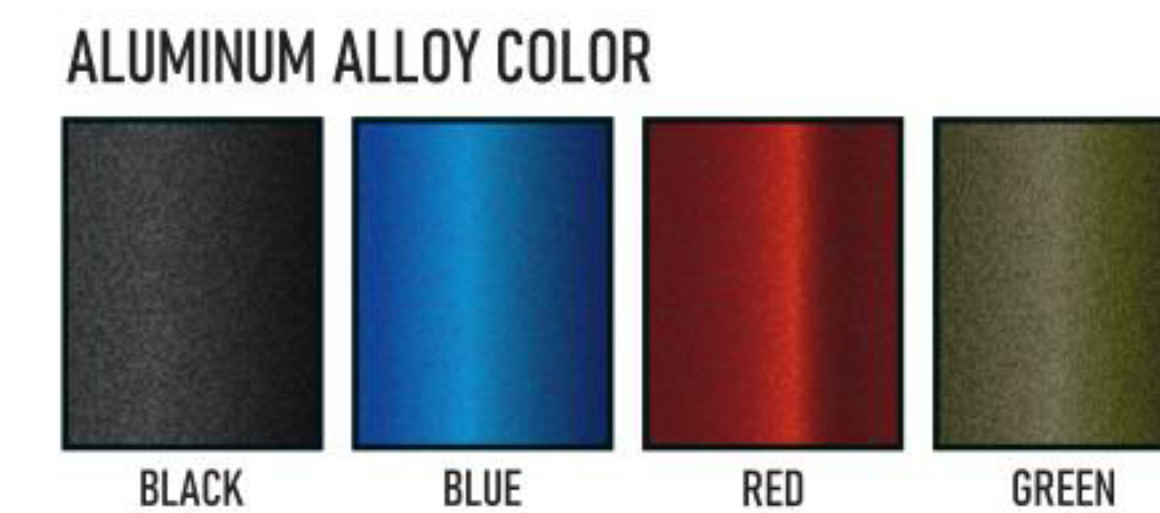
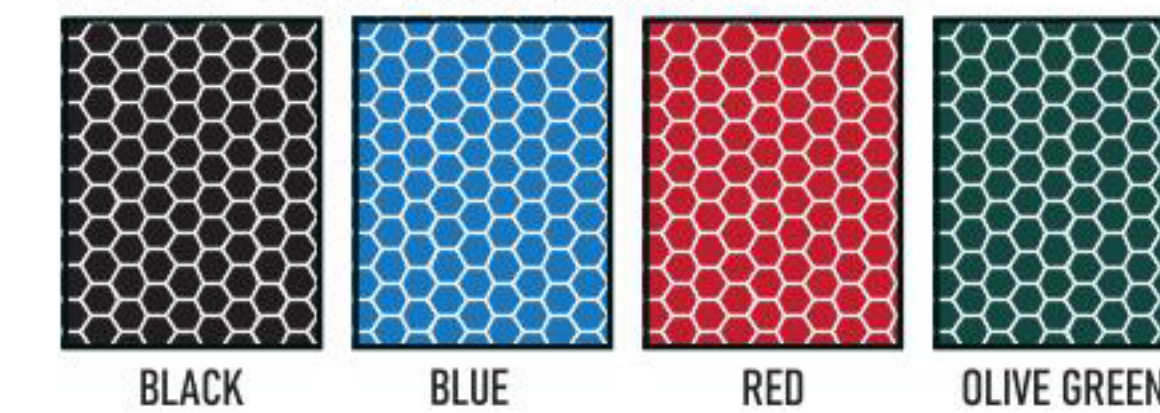
鱼饵抄网



Aluminum Tube With Reinforced Rib design

Material Standard: T5/6063
Surface Hardness: \geq HW-12°
Oxidize Thickness: 20 μ m

MESH COLOR (MESH DIAMETER \varnothing 3-13MM)





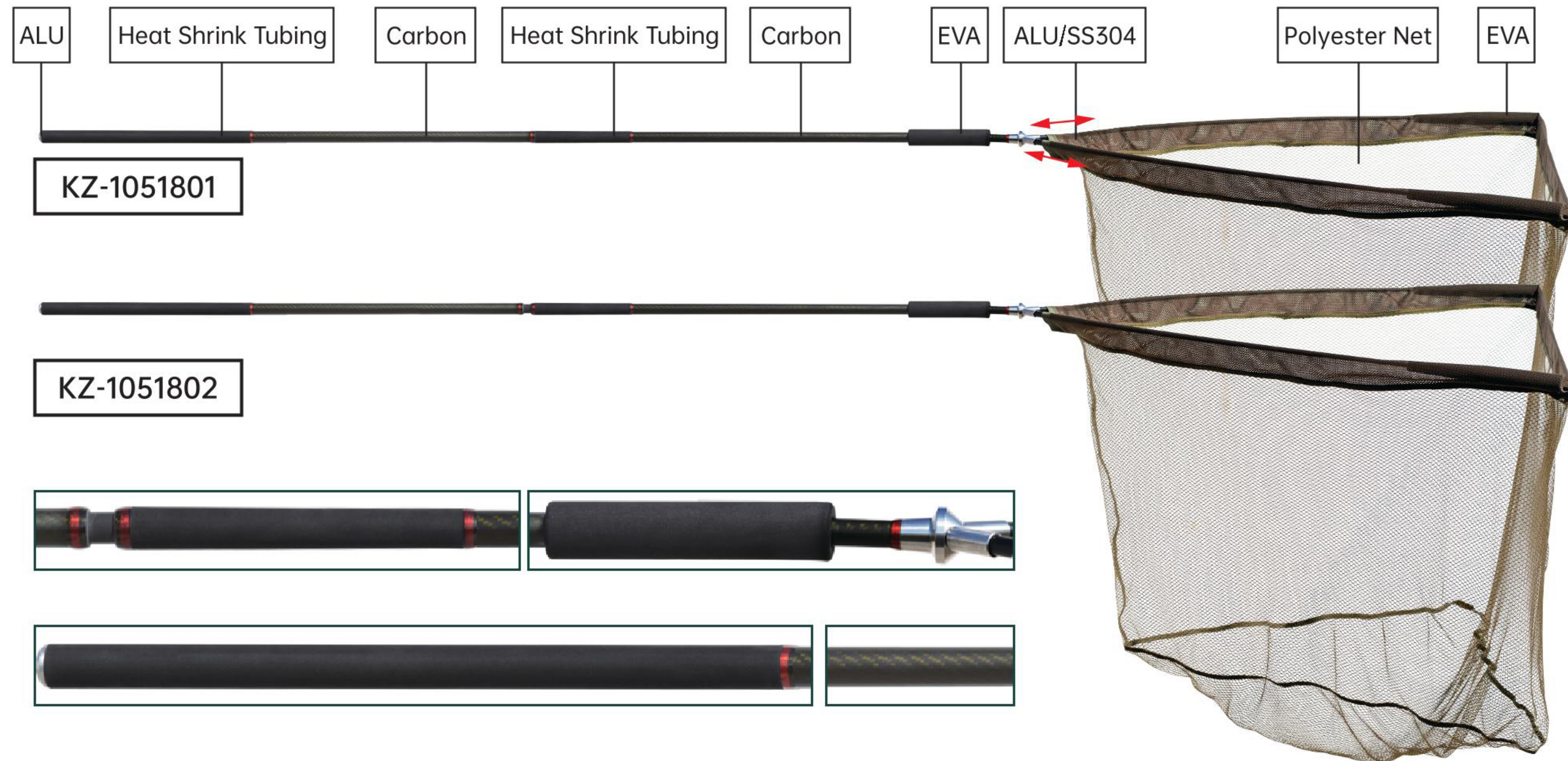
BAITWELL NET(PROTECTIVE)
鱼饵抄网 (内置)

ITEM 编号	HOOP SIZE 网径	HOOP DEEP 网深	LENGTH 长度	WEIGHT 重量
SZ-250701	25x25cm	20-25cm	70cm	320g
SZ-250952	25x25cm	20-25cm	95cm	450g



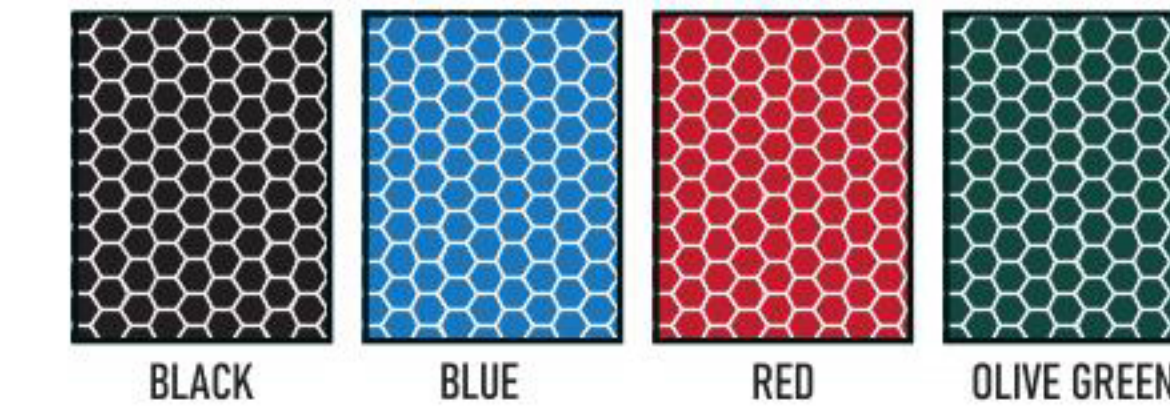
CARP LANDING NET

鲤鱼抄网

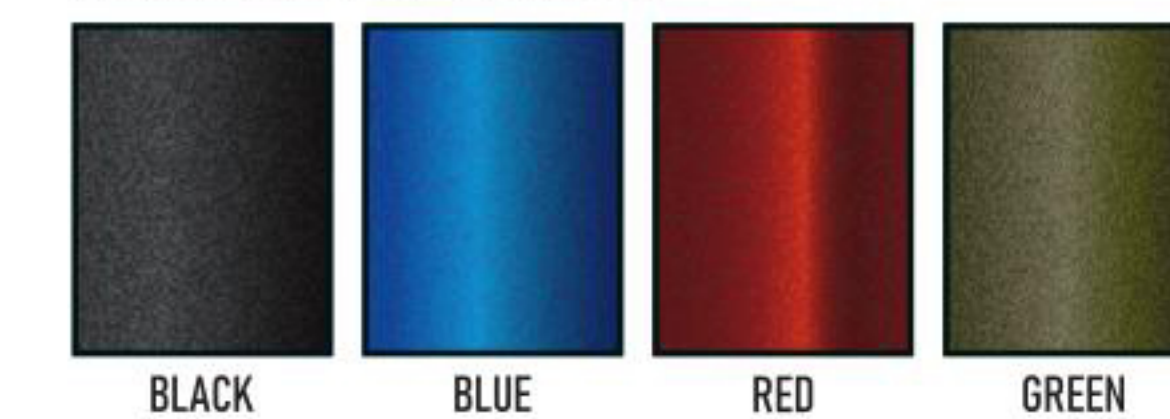


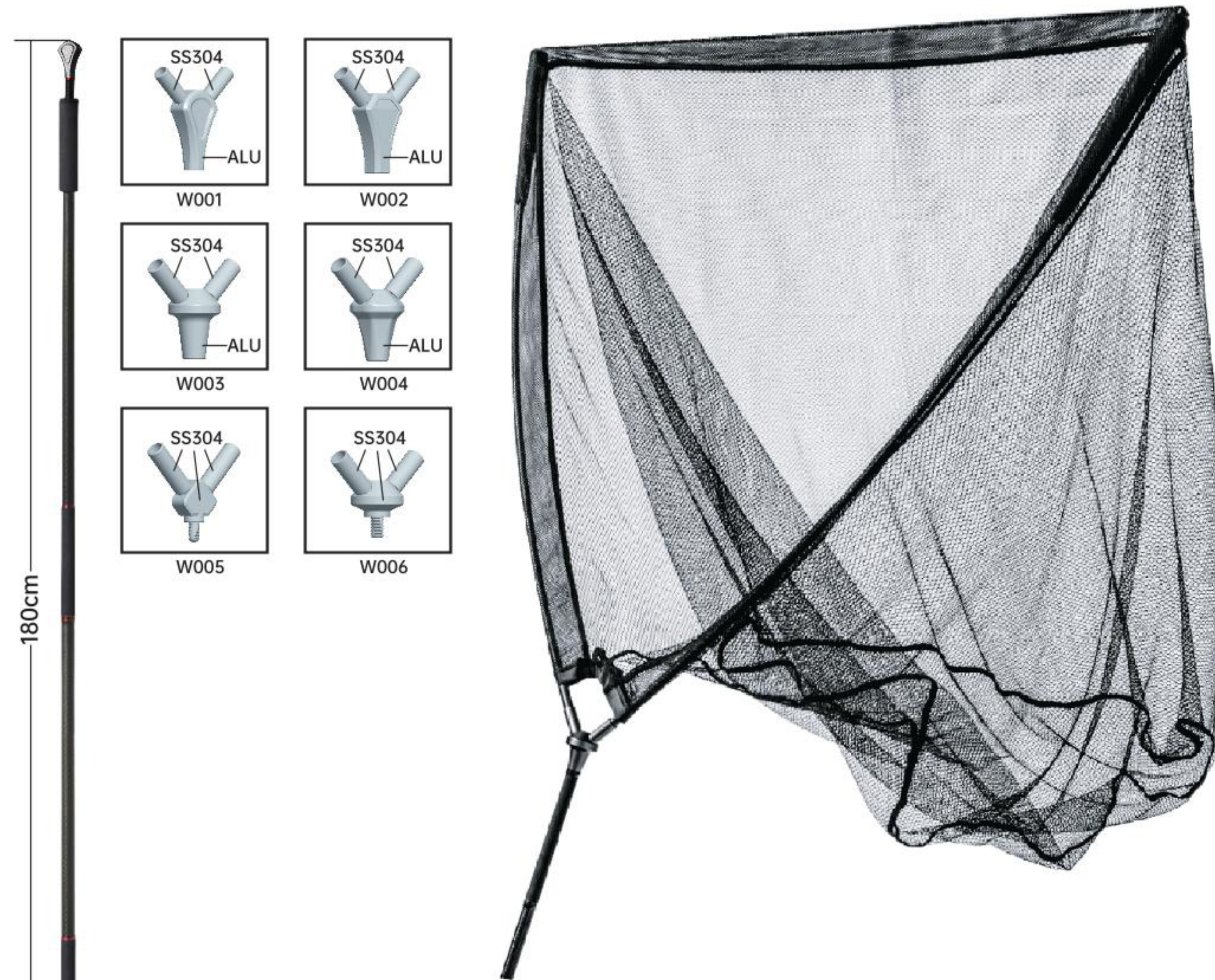
Material Standard: T5/6063
Surface Hardness: \geq HW-12°
Oxidize Thickness: 20 μ m

MESH COLOR (MESH DIAMETER \varnothing 3-13MM)



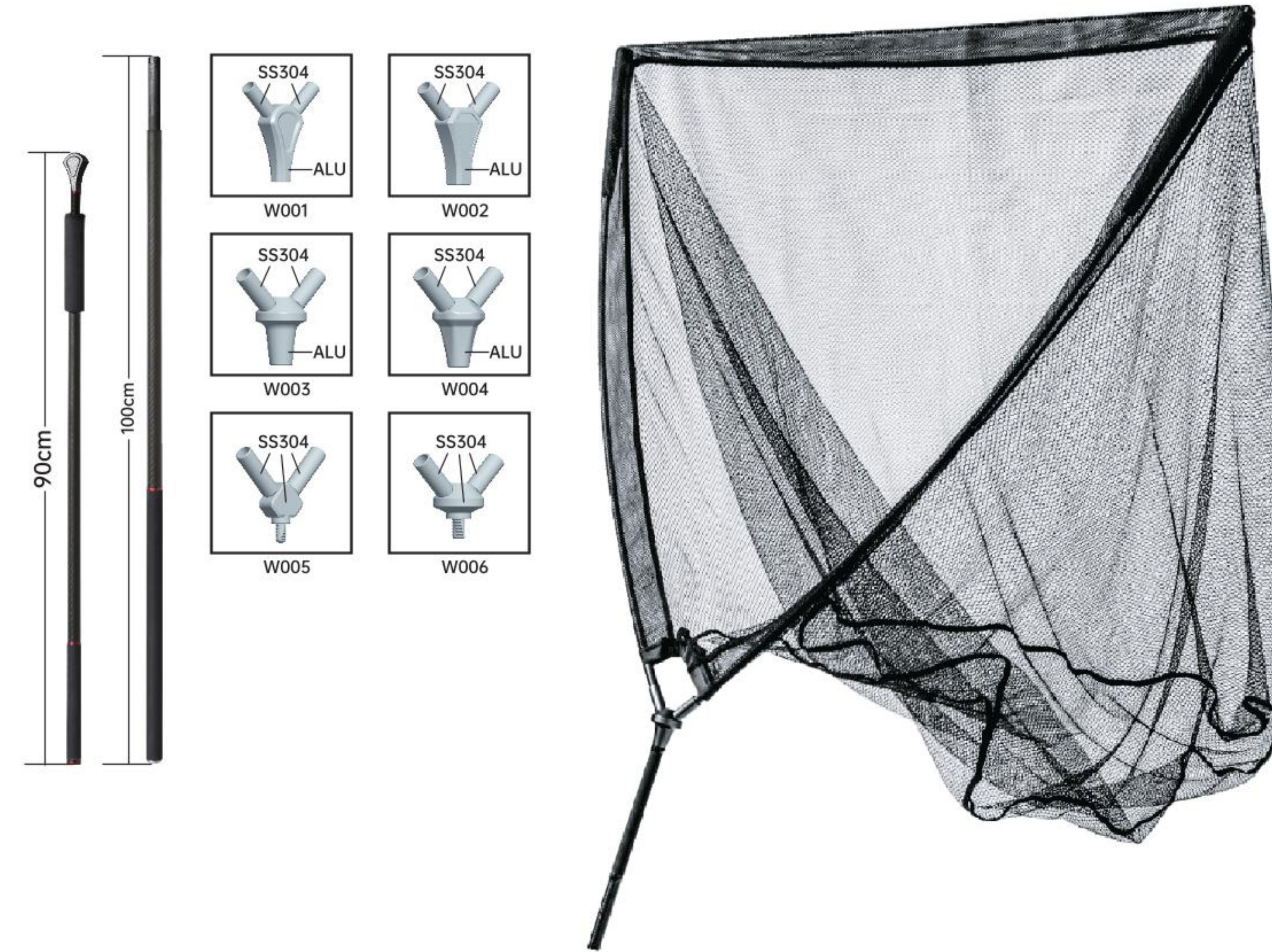
ALUMINUM ALLOY COLOR





CARP LANDING NET, ONE PCS HANDLE
碳素一节柄鲤鱼抄网

ITEM 编号	HOOP SIZE 网径	HOOP DEEP 网深	LENGTH 长度	WEIGHT 重量
KZ-1051801	105x105cm	90cm	110-280cm	840g



CARP LANDING NET, TWO PCS HANDLE
碳素两节柄鲤鱼抄网

ITEM 编号	HOOP SIZE 网径	HOOP DEEP 网深	LENGTH 长度	WEIGHT 重量
KZ-1051802	105x105cm	90cm	110-280cm	840g

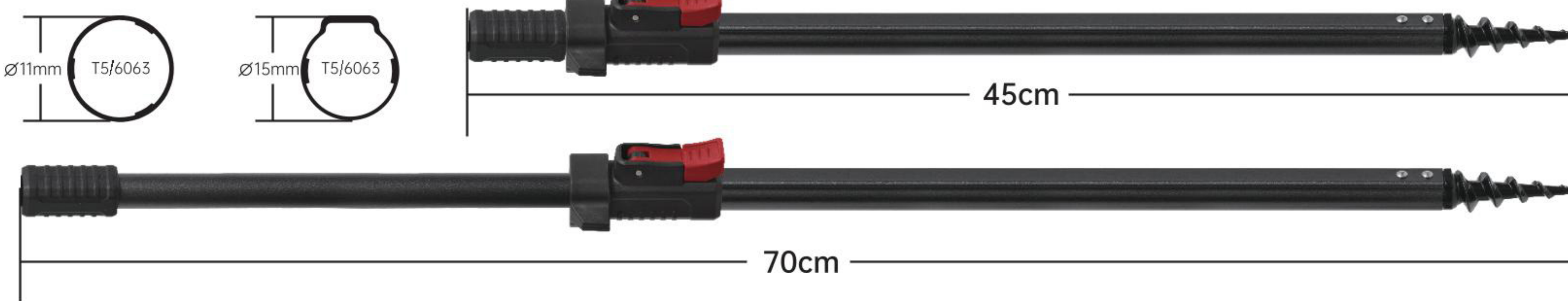
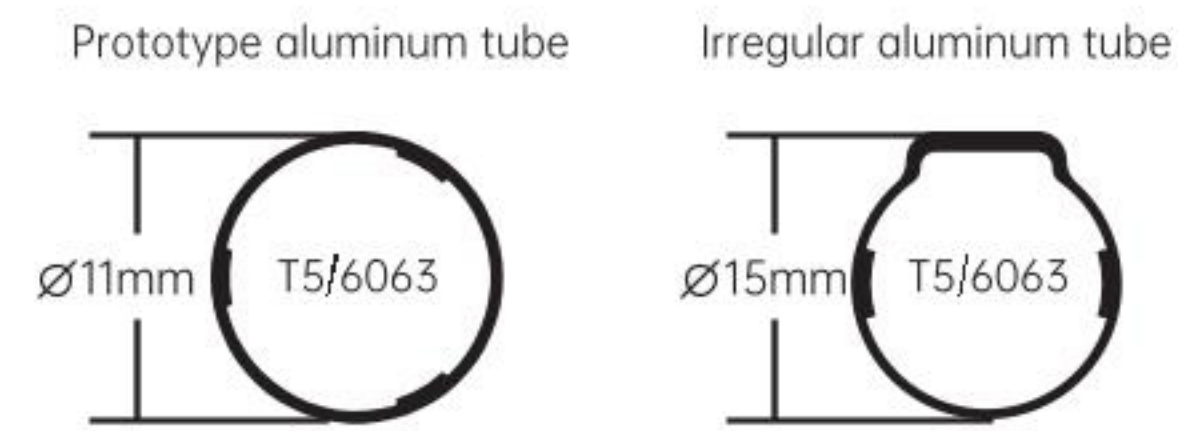


45/55 SERIES PORTABLE CARP ROD POD

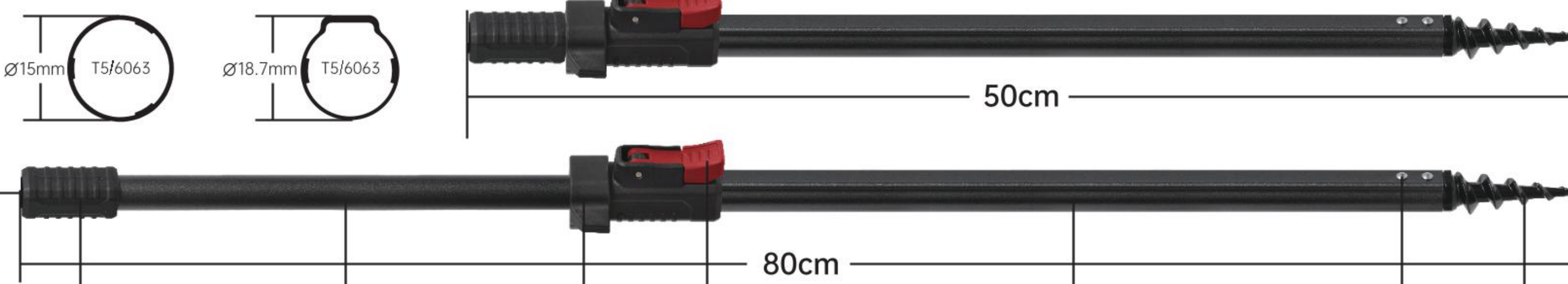
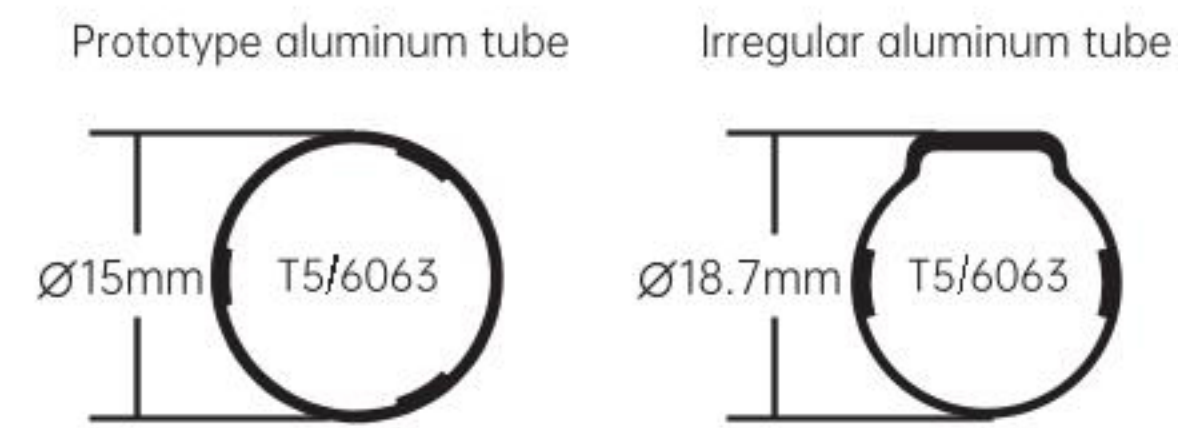
45/55系列欧鲤钓两节支架



45 SERIES



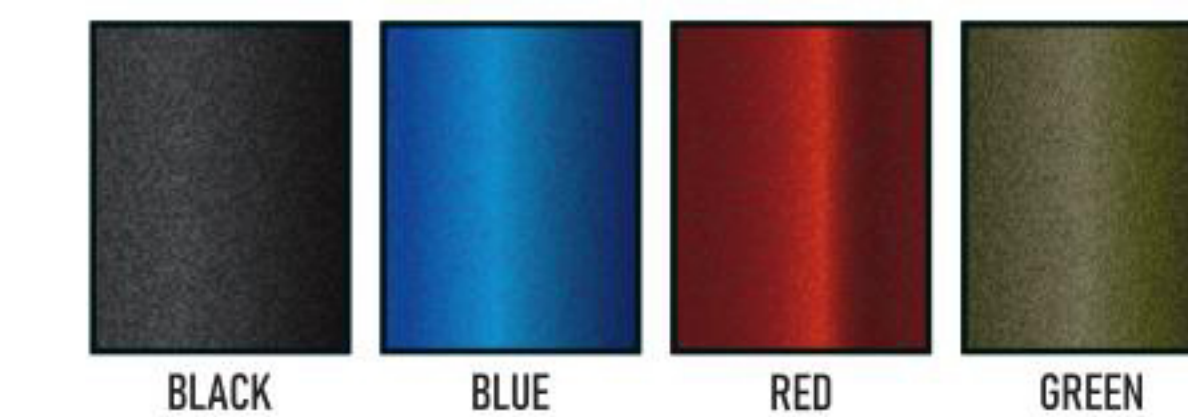
55 SERIES



**Aluminum Tube
With Reinforced Rib design**

Material Standard: T5/6063
Surface Hardness: \geq HW-12°
Oxidize Thickness: 20 μ m

ALUMINUM ALLOY COLOR





JZ-550802

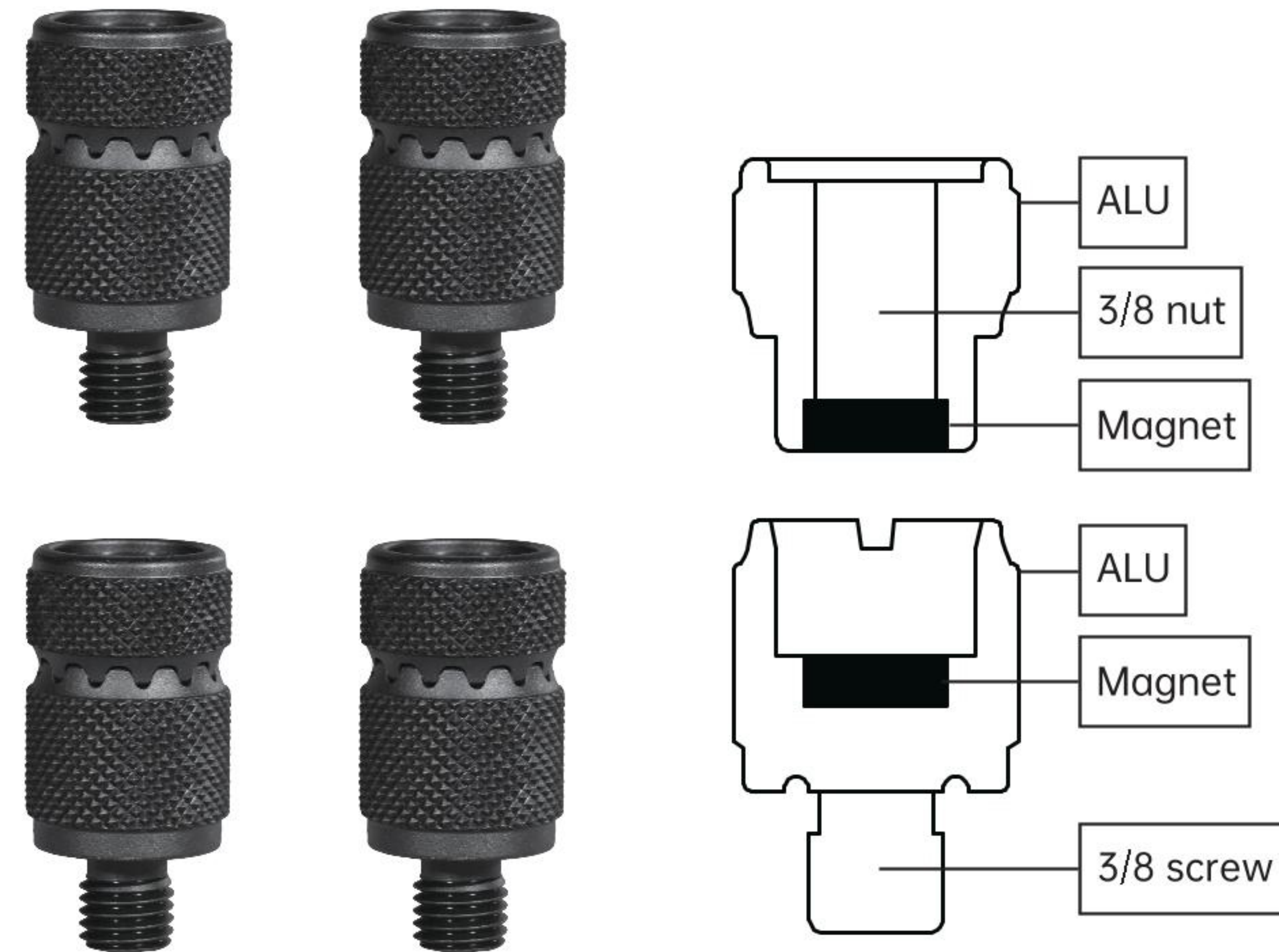


JZ-450702



PORTABLE CARP ROD POD
欧鲤钓两节支架

ITEM 编号	TUBE MATERIAL 管材	COMPONENTS 辅料	LENGTH 长度	WEIGHT 重量
JZ-450702	Aluminum alloy	304 SS/PA625%	45-70cm	280g
JZ-550802	Aluminum alloy	304 SS/PA625%	50-80cm	480g



QUICK-RELEASE CONNECTOR FOR CARP FISHING ROD POD
欧鲤支架快速接头

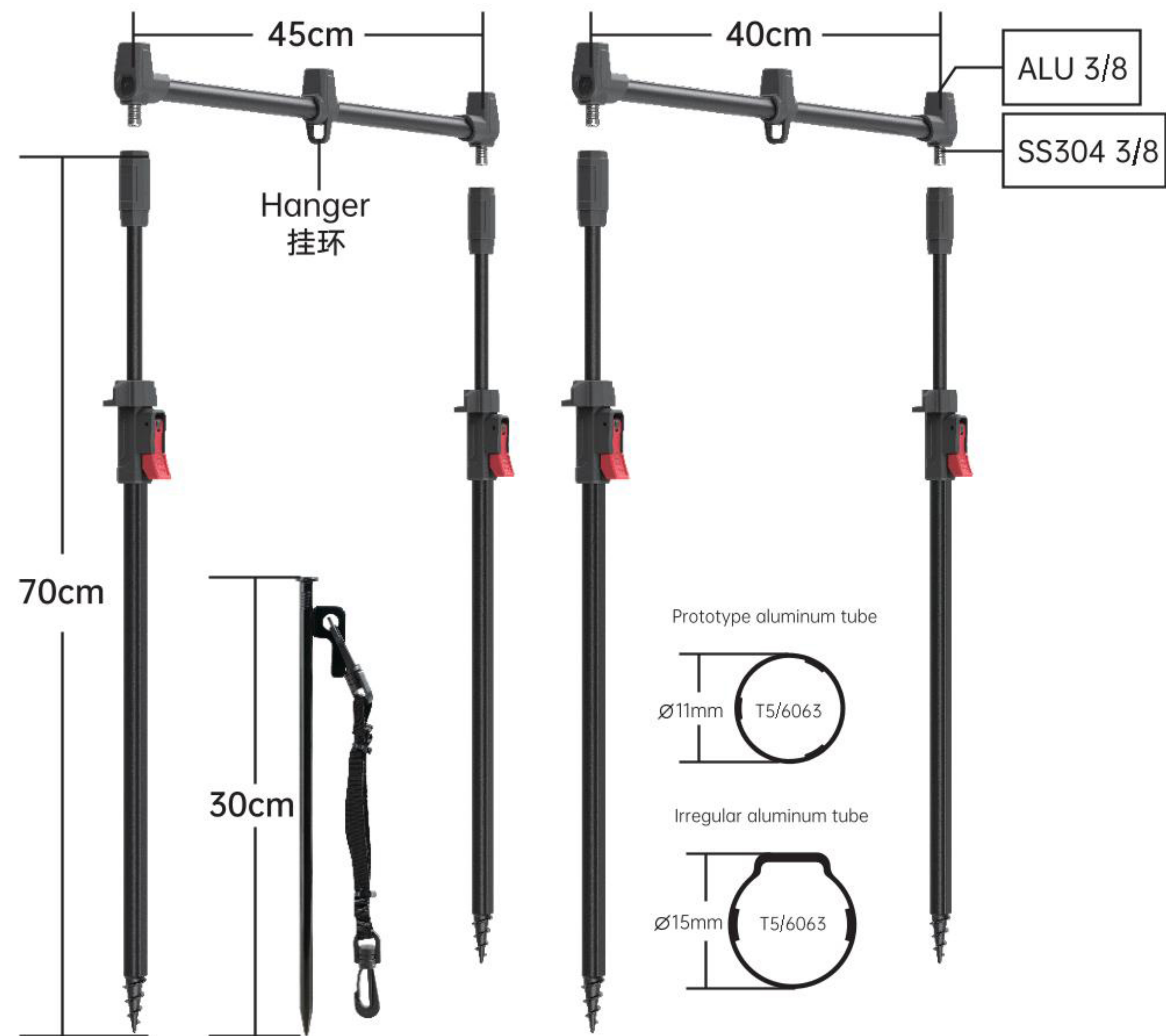
ITEM 编号	MATERIAL 材料	COMPONENTS 辅料	HEIGHT 高度	WEIGHT 重量
QZ-204004	ALU	Magnet	4.2cm	25g



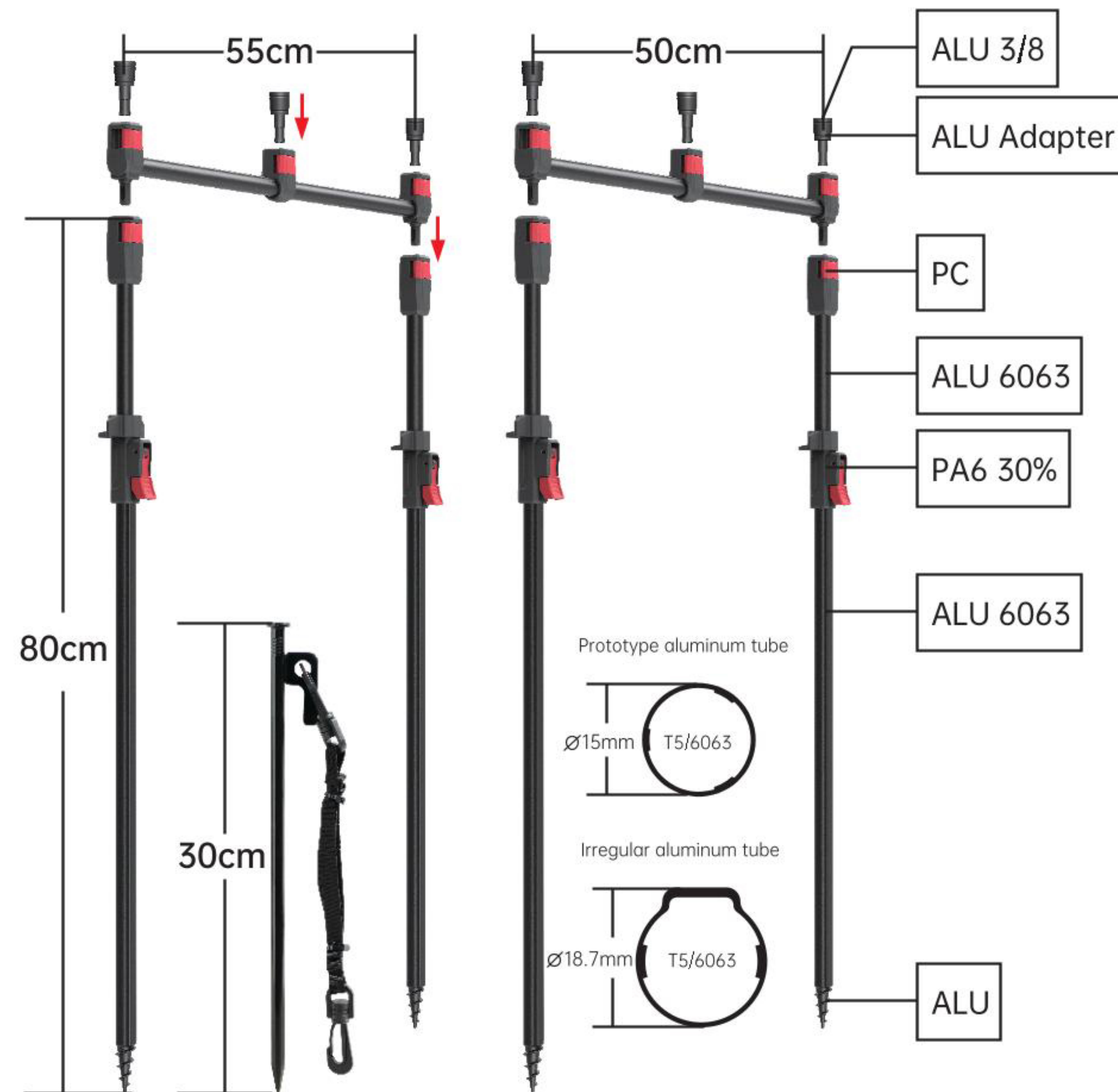
45/55 SERIES LIGHTWEIGHT CARP FISHING ROD REST

45/55系列轻便欧鲤支架

45 SERIES



55 SERIES (PATENT PENDING 专利申请中)



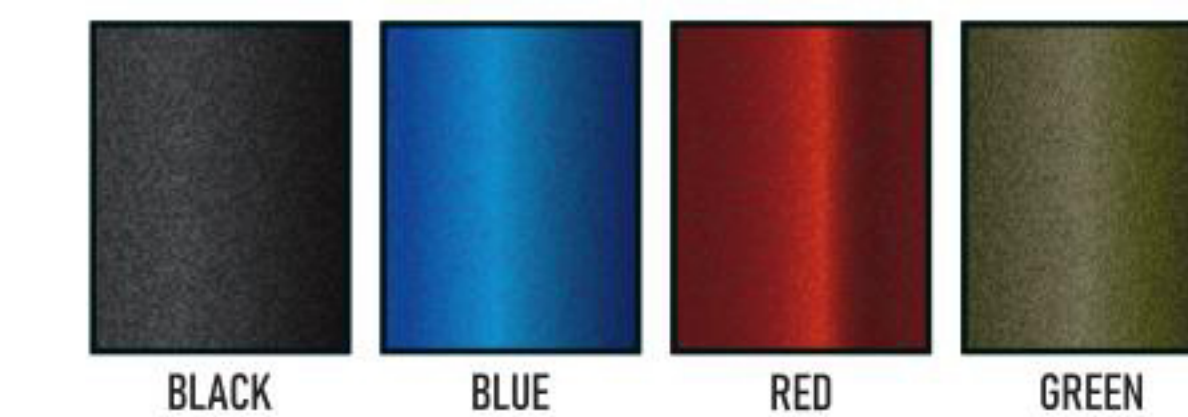
**Aluminum Tube
With Reinforced Rib design**

Material Standard: T5/6063

Surface Hardness: \geq HW-12°

Oxidize Thickness: 20 μ m

ALUMINUM ALLOY COLOR





JW-500803



JX-450703



45/55 SERIES LIGHTWEIGHT CARP FISHING ROD REST
45/55系列轻便欧鲤支架

ITEM 编号	TUBE MATERIAL 管材	COMPONENTS 辅料	LENGTH 长度	WEIGHT 重量
JX-450703	Aluminum alloy	304 SS/PA625%	45-70cm	430g
JW-500803	Aluminum alloy	304 SS/PA625%	50-80cm	630g

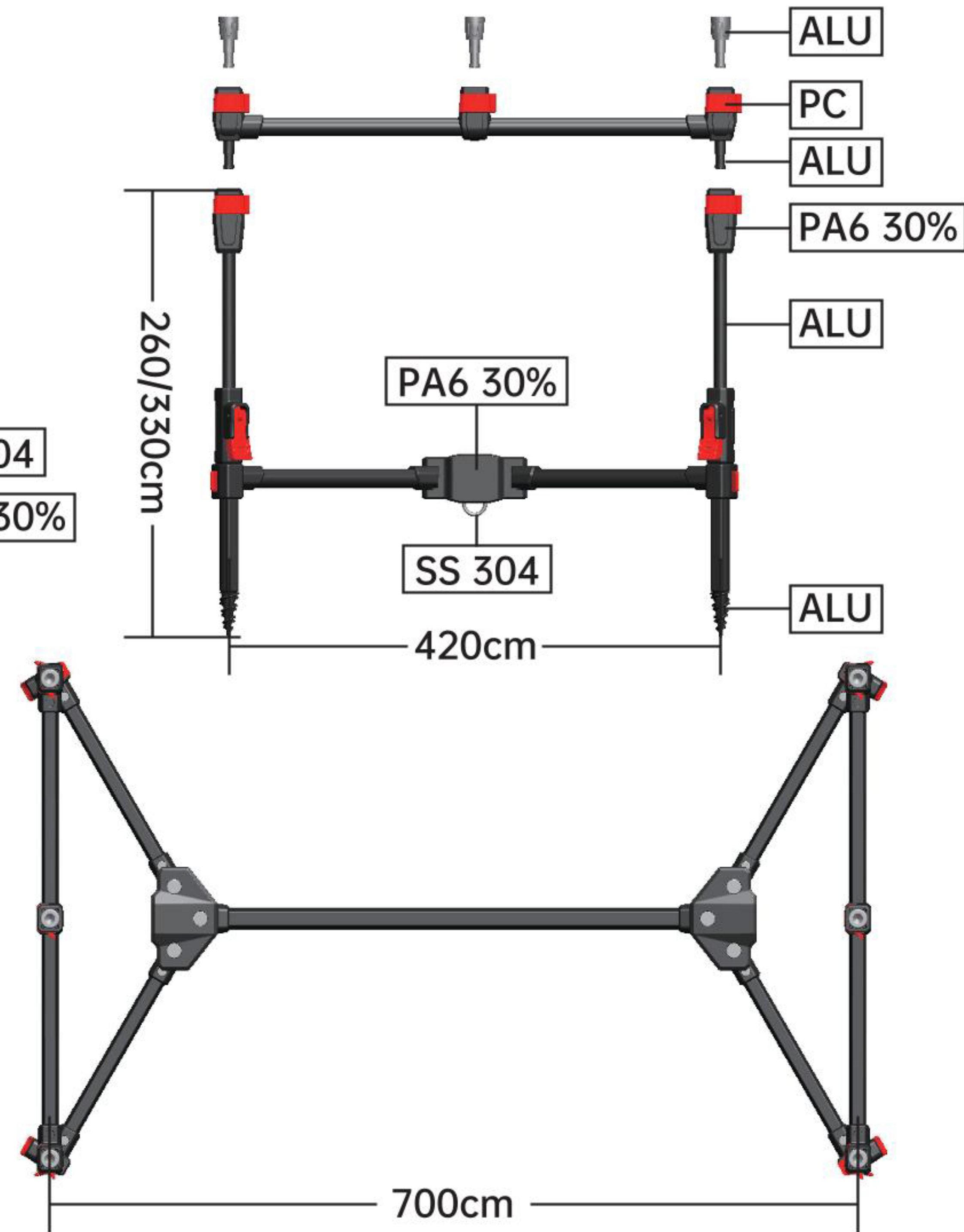
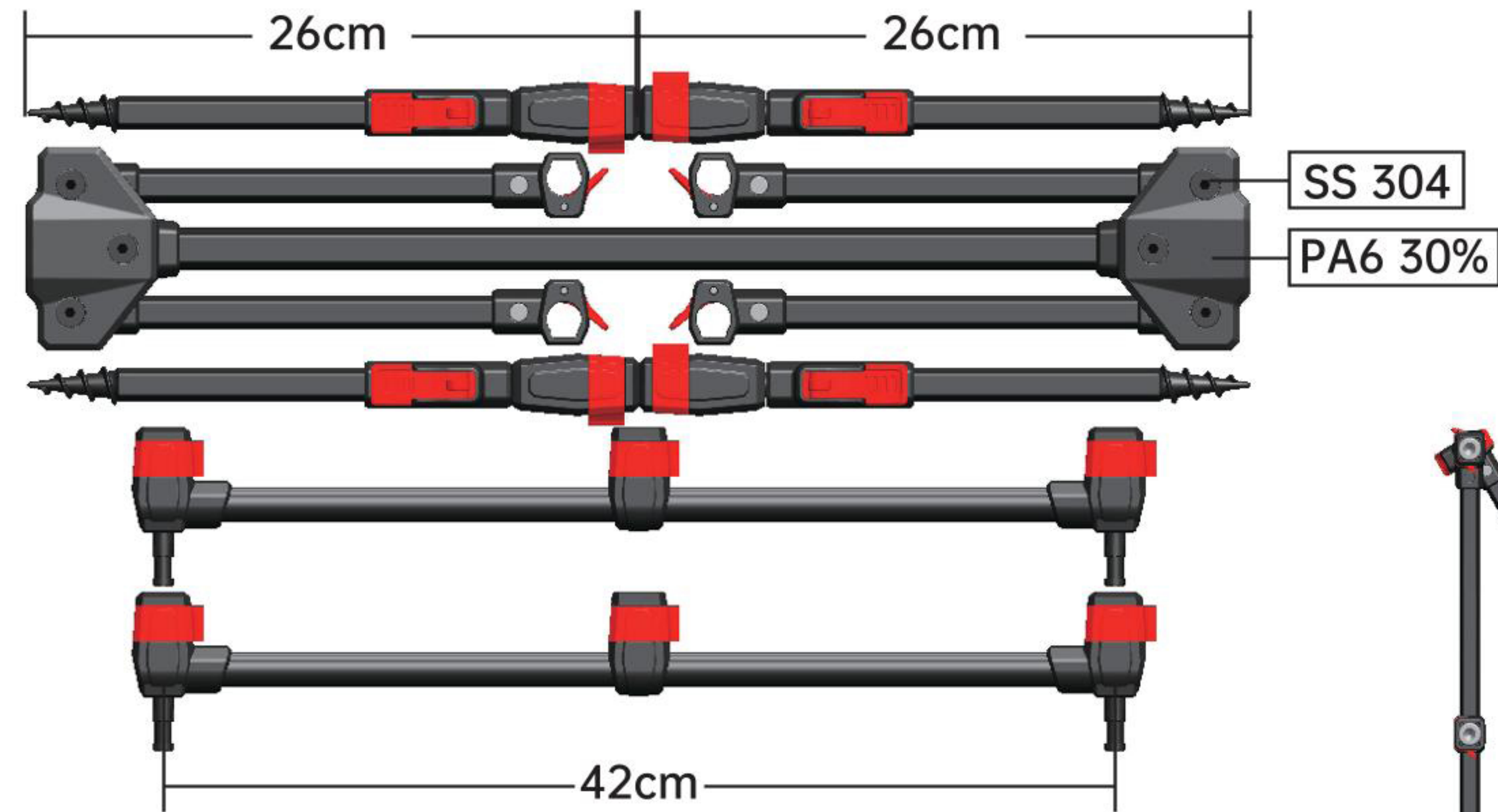
Blister packs are not included.



PORTABLE FOLDING ROD POD(1 PCS HANDLE)

便捷折叠支架(一节)

PATENT PENDING 专利申请中



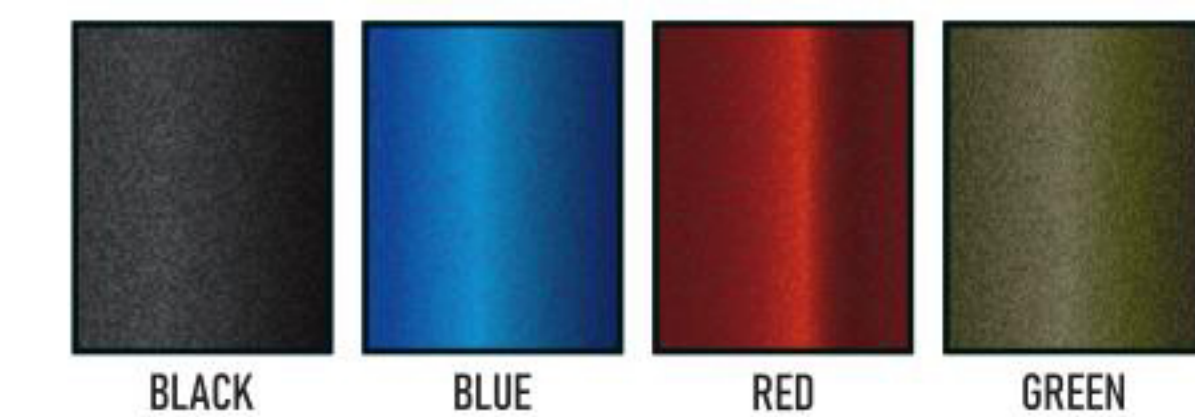
**Aluminum Tube
With Reinforced Rib design**

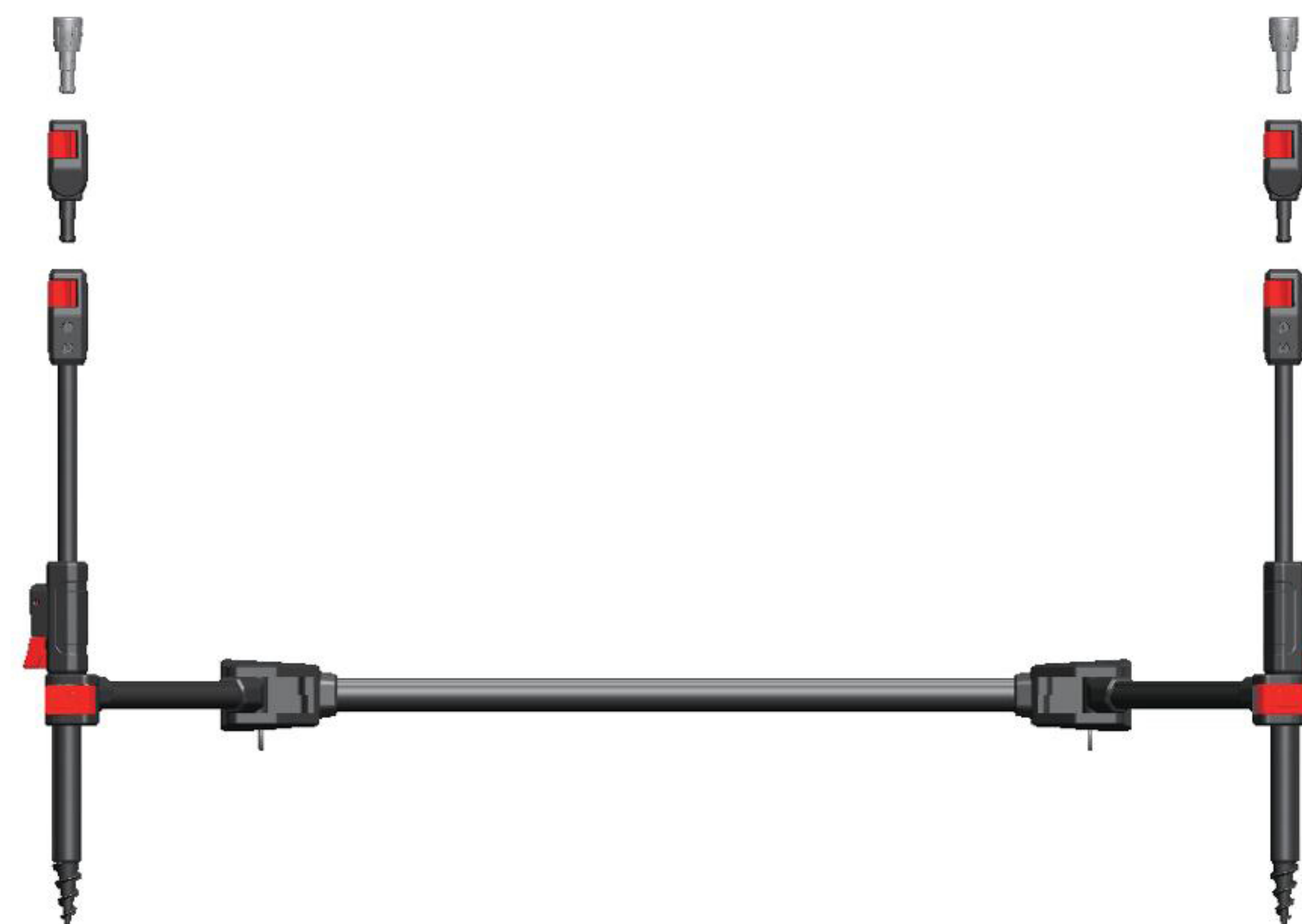
Material Standard: T5/6063

Surface Hardness: \geq HW-12°

Oxidize Thickness: 20 μ m

ALUMINUM ALLOY COLOR





PORTABLE FOLDING ROD POD(1 PCS HANDLE)
便捷折叠支架(一节)

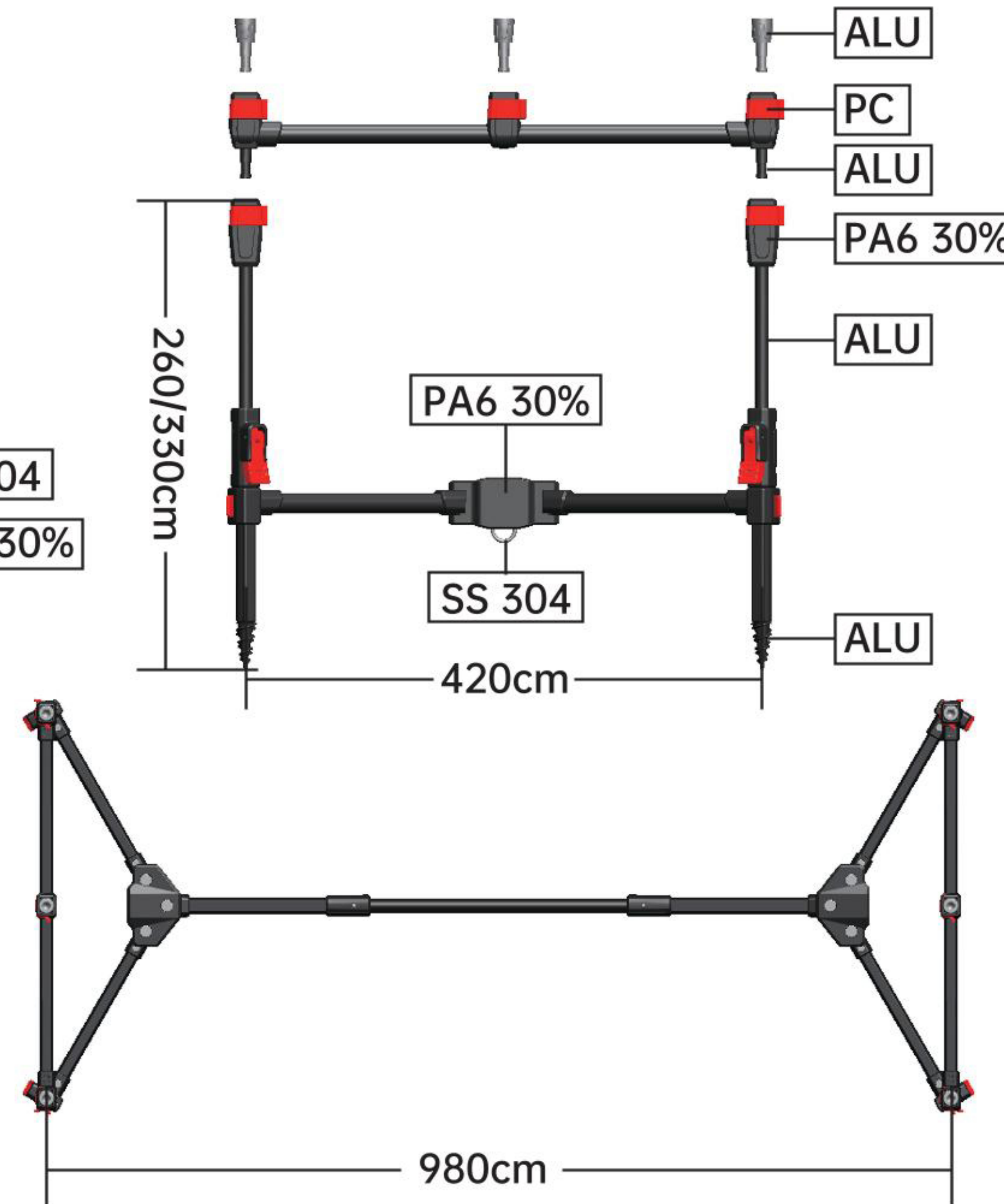
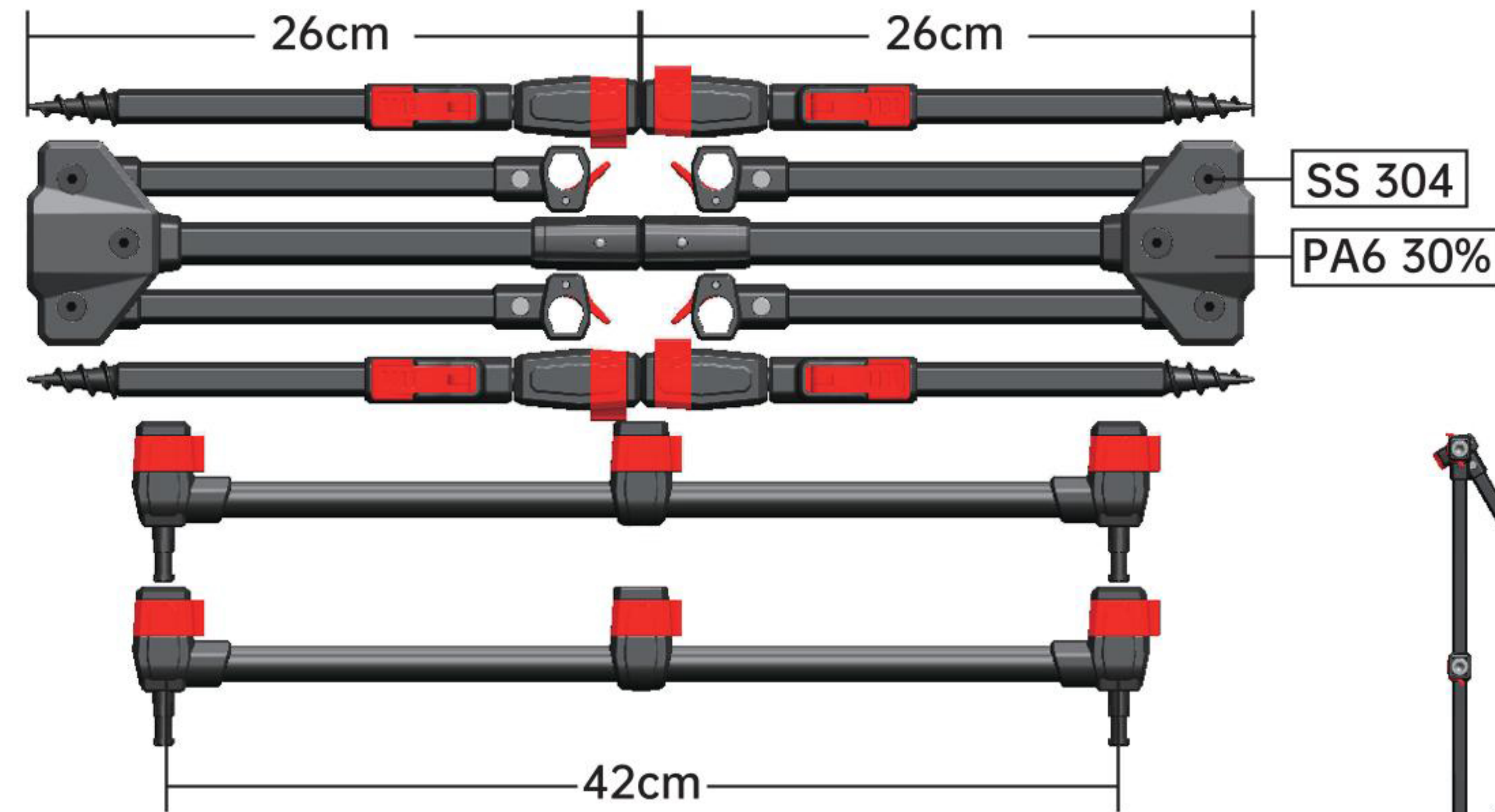
ITEM 编号	TUBE MATERIAL 管材	COMPONENTS 辅料	LENGTH 长度	WEIGHT 重量
TZ-554270	Aluminum alloy	304 SS/PA6 25%	53-70cm	1690g



PORTABLE FOLDING ROD POD(2 PCS HANDLE)

便捷折叠支架(两节)

PATENT PENDING 专利申请中



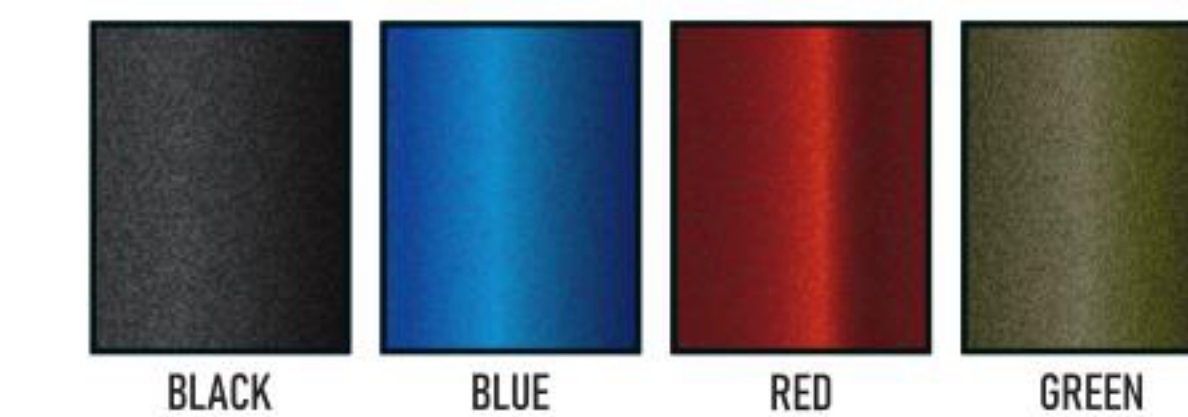
**Aluminum Tube
With Reinforced Rib design**

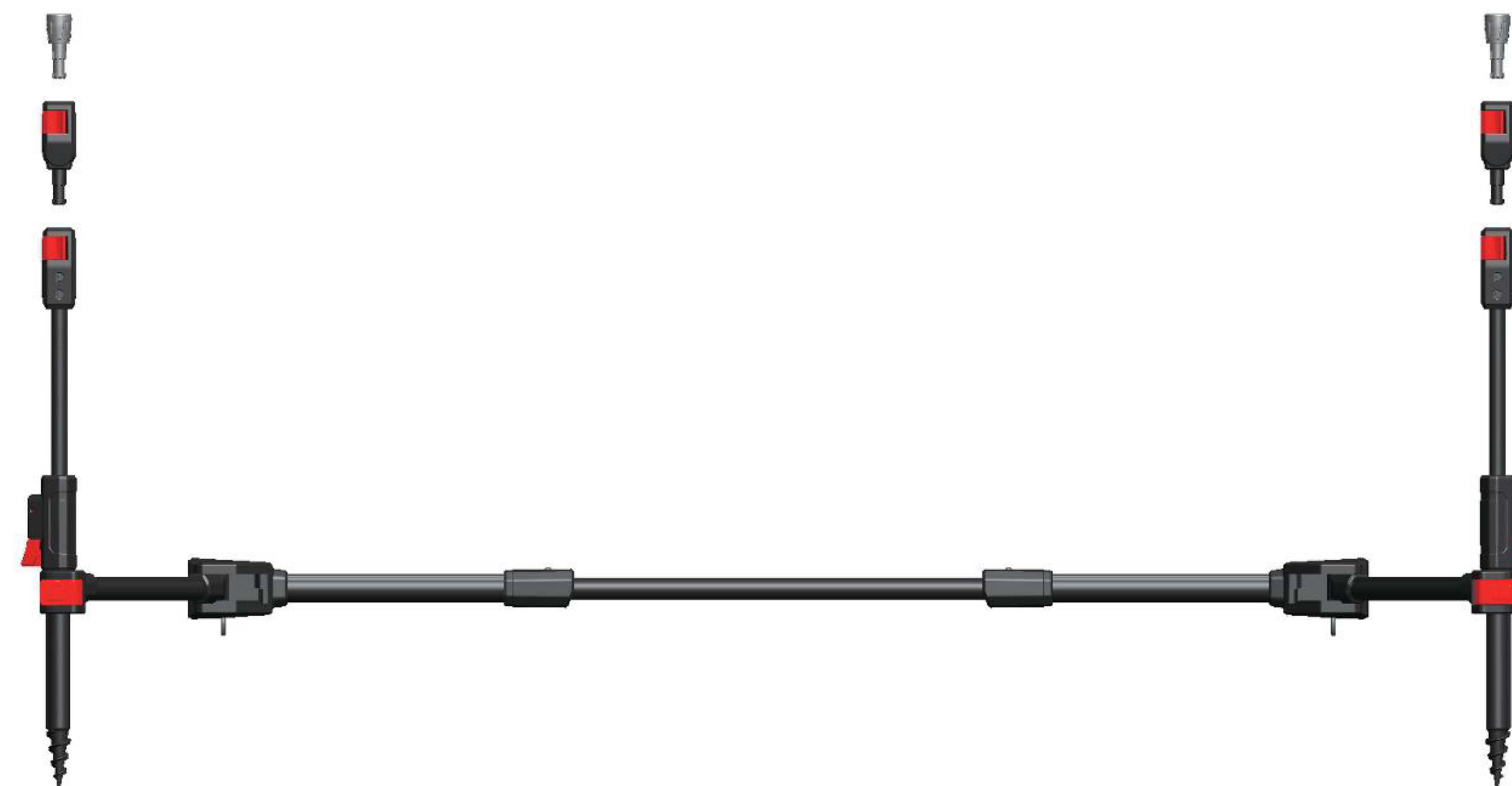
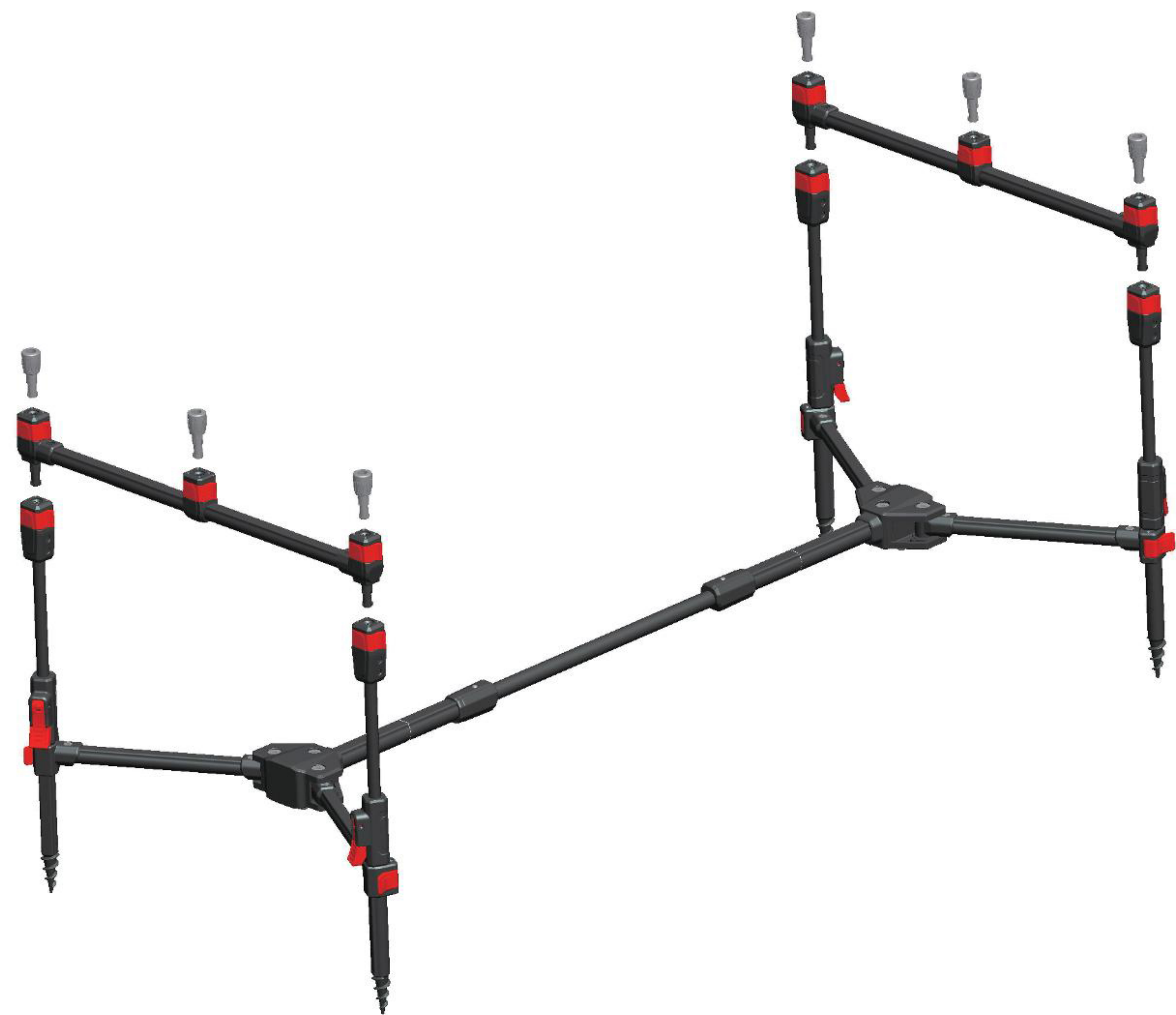
Material Standard: T5/6063

Surface Hardness: \geq HW-12°

Oxidize Thickness: 20 μ m

ALUMINUM ALLOY COLOR






PORTABLE FOLDING ROD POD(1 PCS HANDLE)
便捷折叠支架(两节)

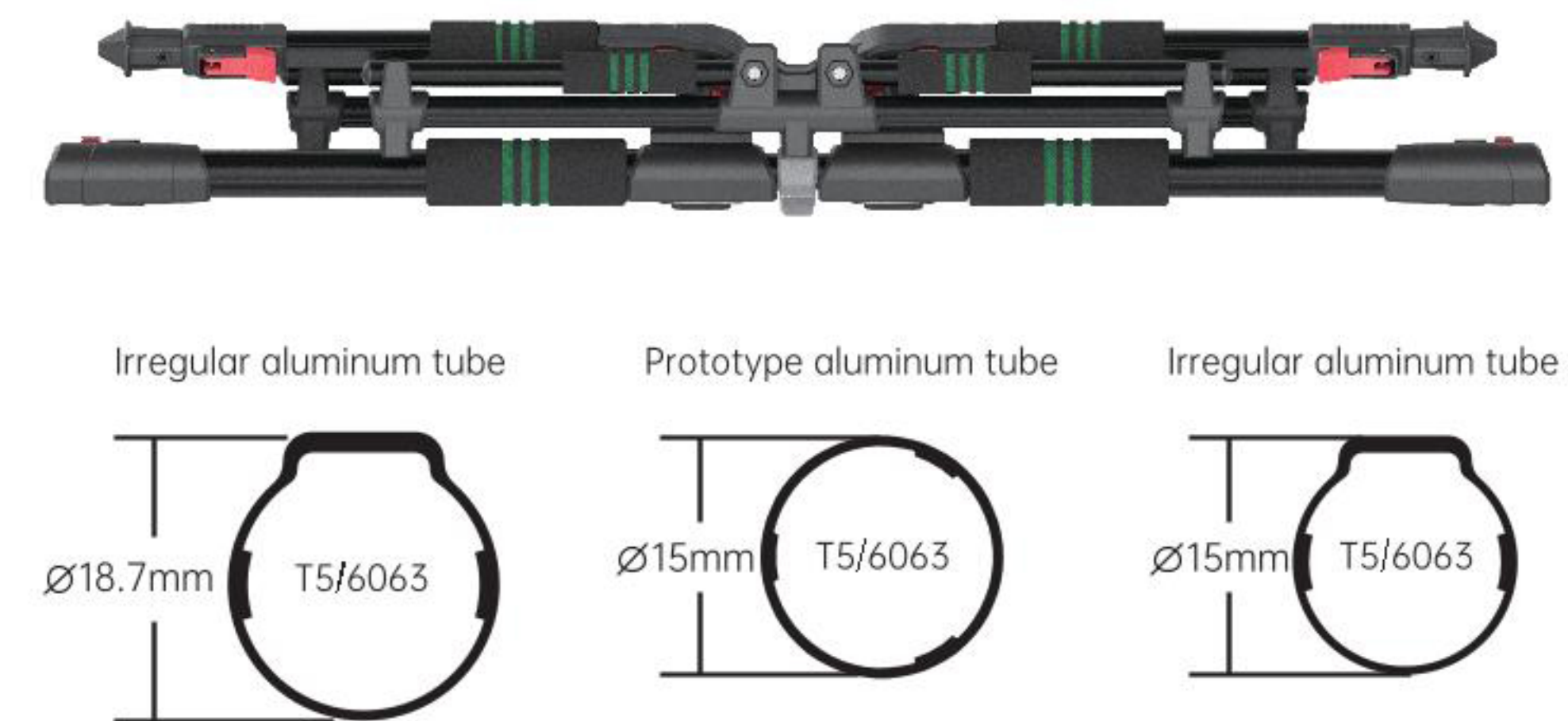
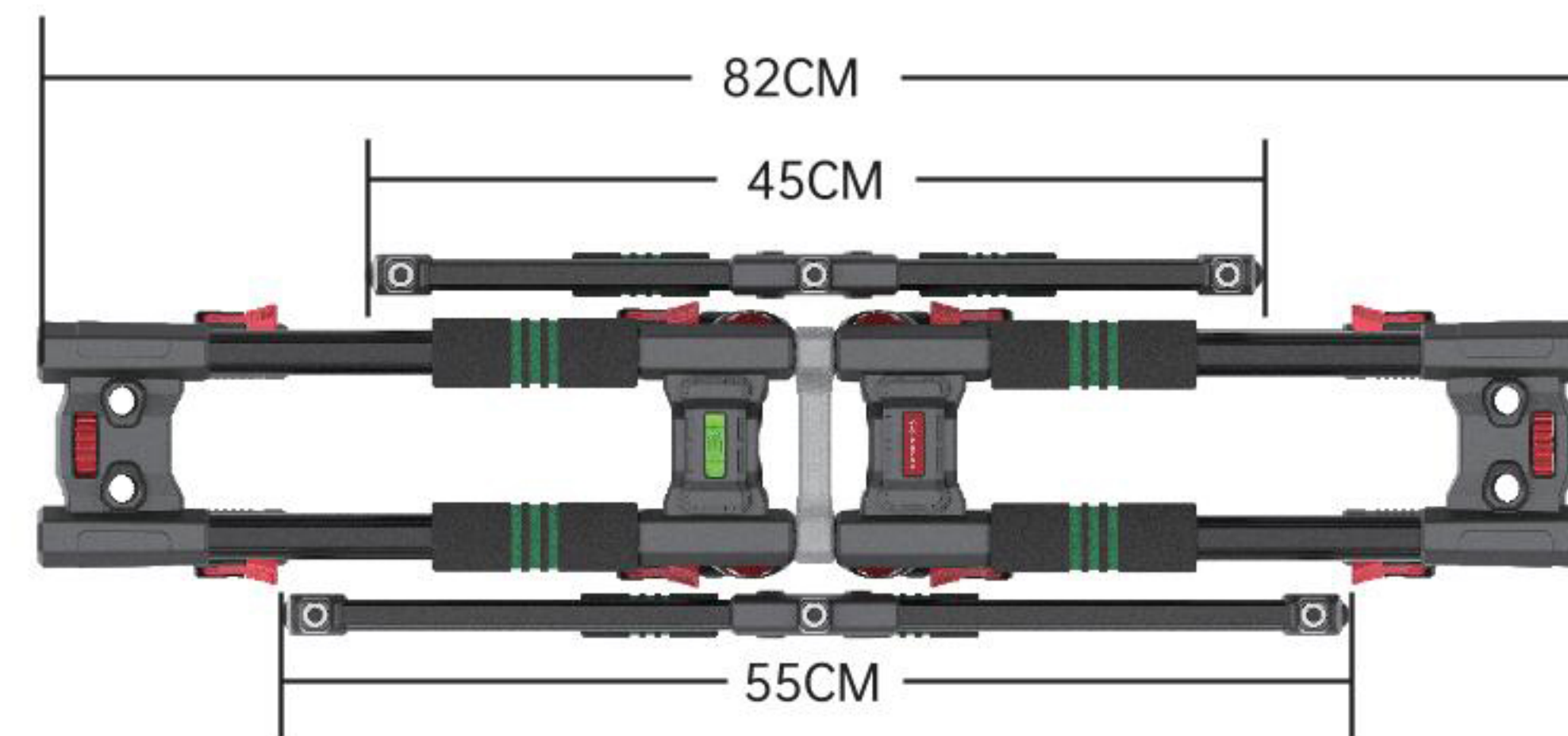
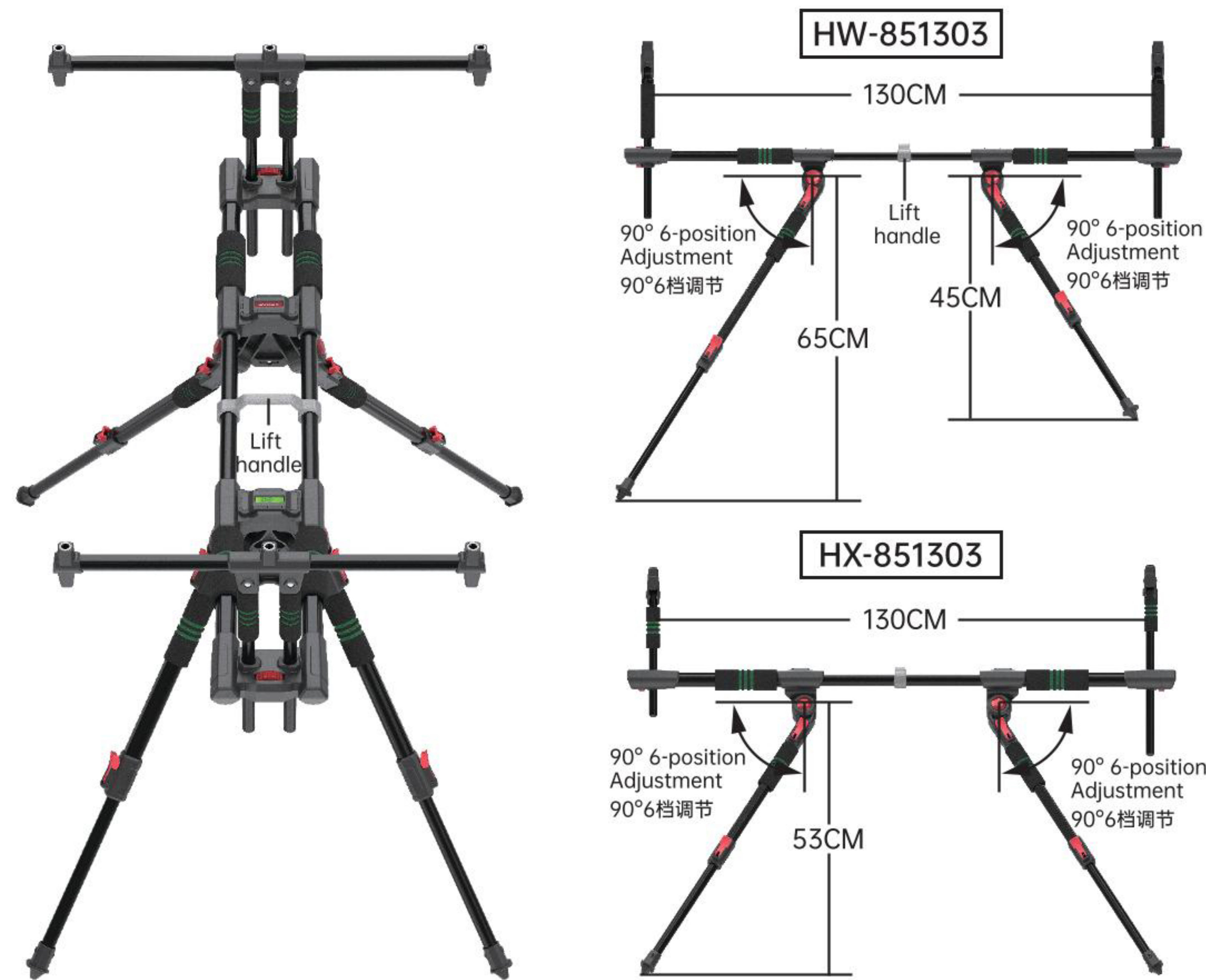
ITEM 编号	TUBE MATERIAL 管材	COMPONENTS 辅料	LENGTH 长度	WEIGHT 重量
TY-554210	Aluminum alloy	304 SS/PA6 25%	53-100cm	1740g



85-TYPE VERTICAL CARP STAND (3 ROD LIGHTWEIGHT VERSION)

85型立式鲤鱼支架 (3竿轻量版)

- Patented product  ZL·2021 2 1050574.1 ZL·2025 2 2642048.9
 专利产品 ZL·2023 3 0517324.2 ZL·2025 3 0735780.3

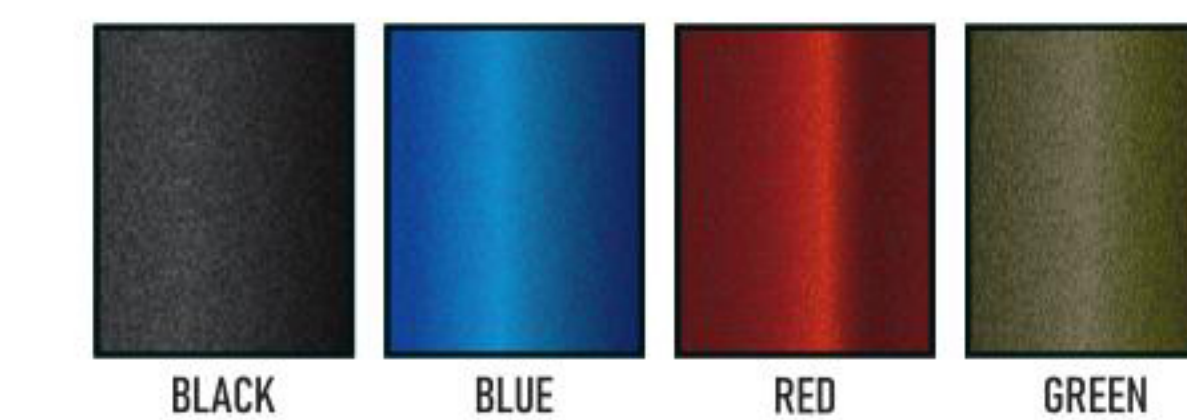


Main Material: PC/PA6 30%/SS304/TPE

Aluminum Tube With Reinforced Rib design

Material Standard: T5/6063
 Surface Hardness: \geq HW-12°
 Oxidize Thickness: 20 μ m

ALUMINUM ALLOY COLOR





HW-851303



HX-851303

85-TYPE VERTICAL CARP STAND (3 ROD LIGHTWEIGHT VERSION)
85型立式鲤鱼支架 (3竿轻量版)

ITEM 编号	LENGTH 长度	CROSSBAR LENGTH 横杆长度	LEG LENGTH 脚长	NUMBER 竿数	WEIGHT 重量
HW-851303	82-140cm	45cm/55cm	45cm/65cm	3 rod	3410g
HX-851303	82-140cm	45cm/55cm	53cm	3 rod	3410g


Warm Reminder: U-fork, V-fork and blister packs are not included.

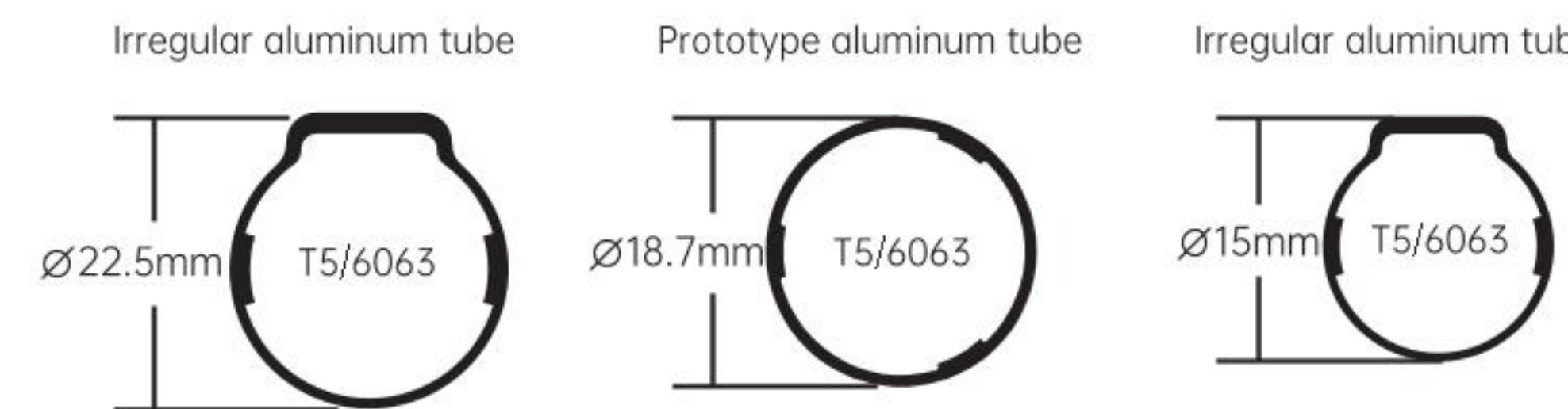
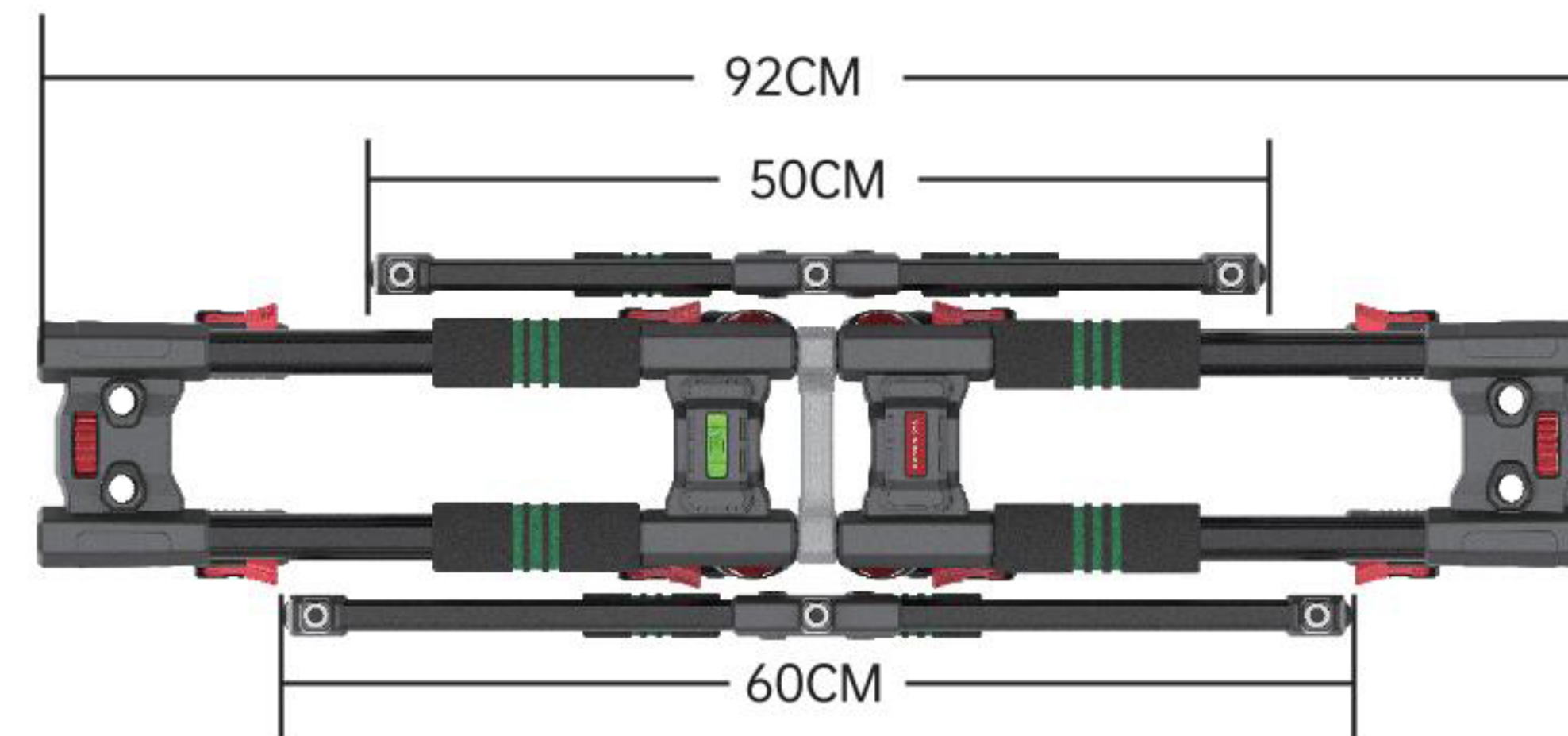
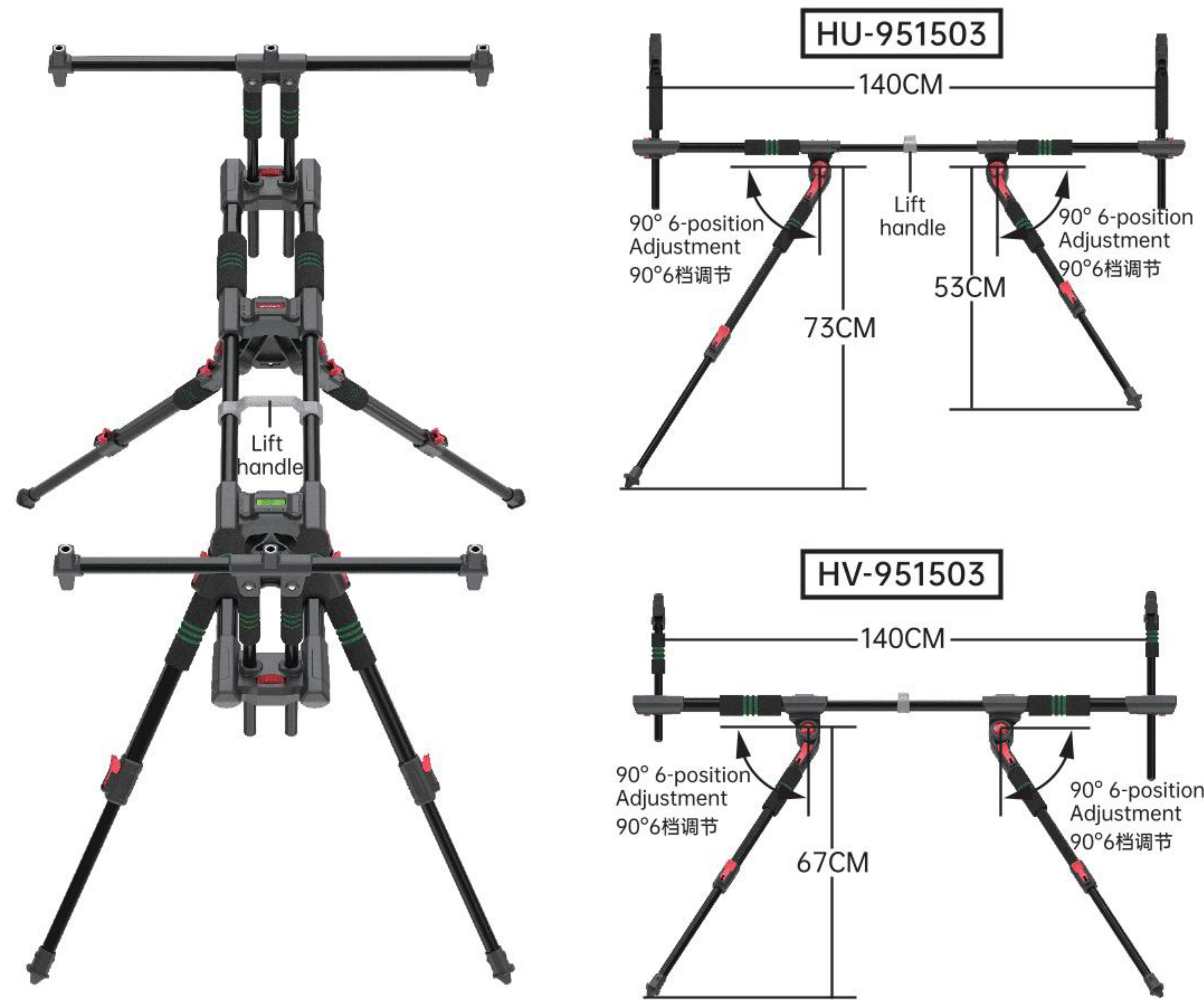


95-TYPE VERTICAL CARP STAND(3 ROD MEDIUM-WEIGHT VERSION)



95型立式鲤鱼支架 (3竿中量版)

- Patented product  ZL·2021 2 1050574.1 ZL·2025 2 2642048.9
 专利产品 ZL·2023 3 0517324.2 ZL·2025 3 0735780.3

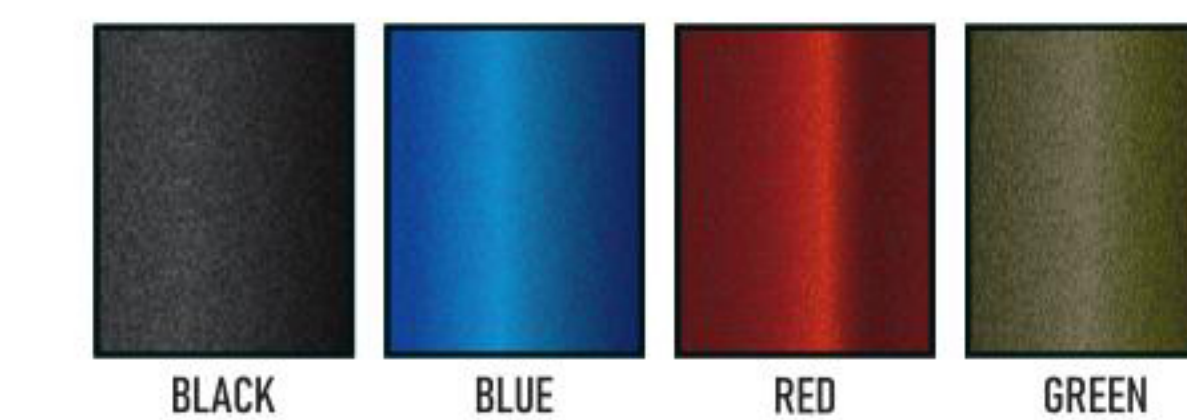


Main Material: PC/PA6 30%/SS304/TPE

Aluminum Tube With Reinforced Rib design

Material Standard: T5/6063
 Surface Hardness: \geq HW-12°
 Oxidize Thickness: 20 μ m

ALUMINUM ALLOY COLOR





HU-951303



HV-951303

95-TYPE VERTICAL CARP STAND (3 ROD LIGHTWEIGHT VERSION)
95型立式鲤鱼支架 (3竿中量版)


ITEM 编号	LENGTH 长度	CROSSBAR LENGTH 横杆长度	LEG LENGTH 脚长	NUMBER 竿数	WEIGHT 重量
HU-951303	92-150cm	45cm/55cm	50cm/60cm	3 rod	3740g
HV-951303	92-150cm	45cm/55cm	67cm	3 rod	3740g

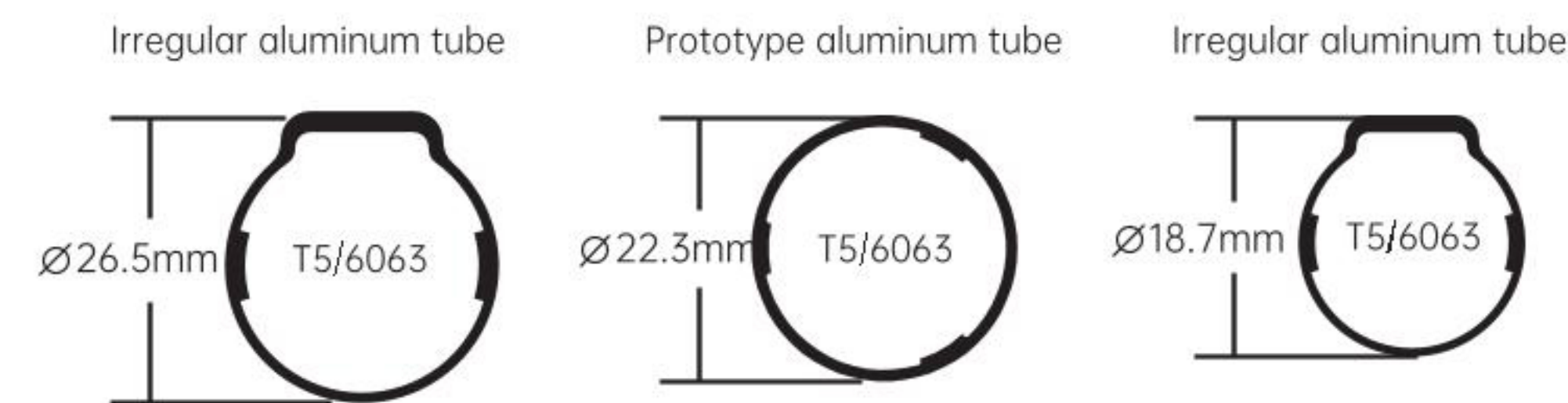
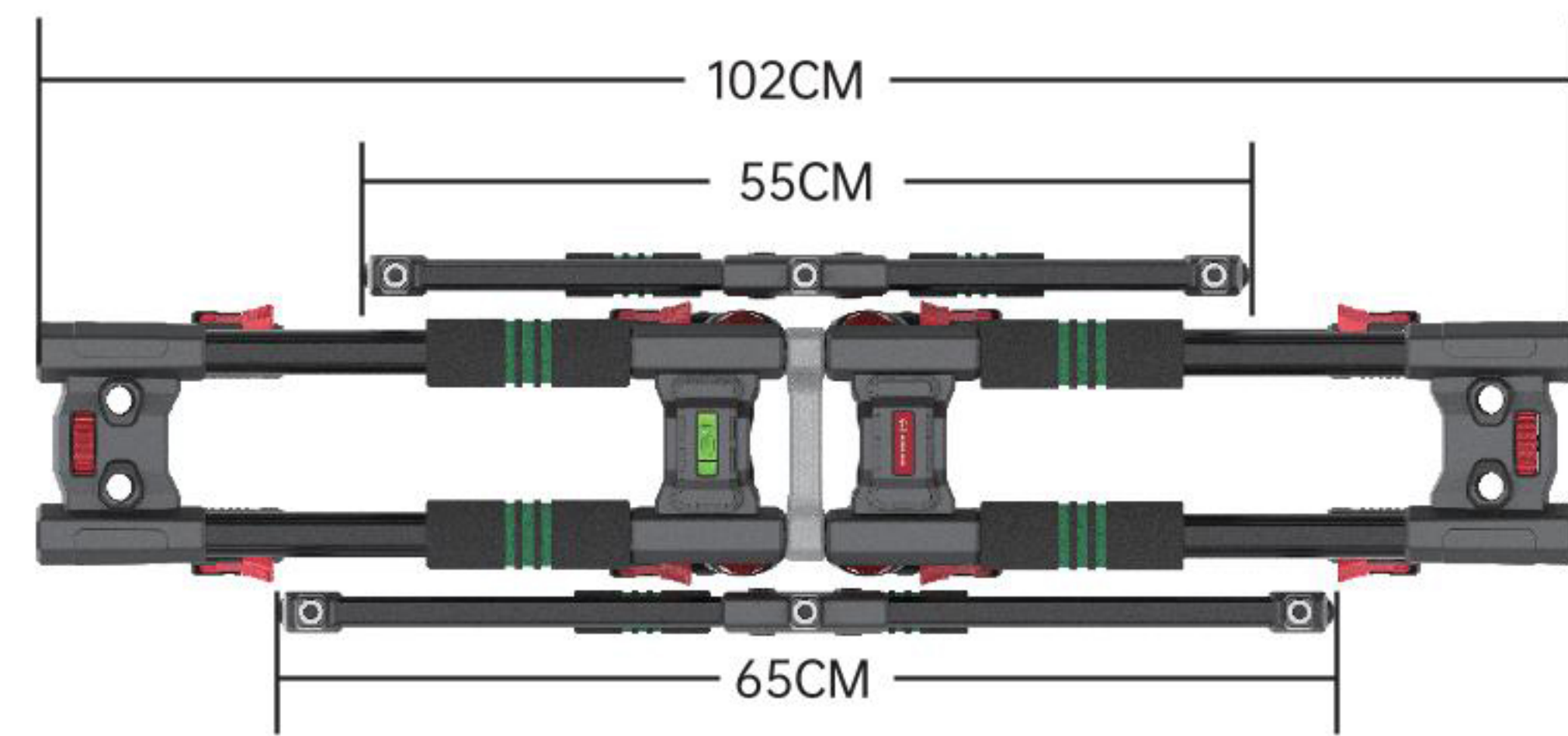
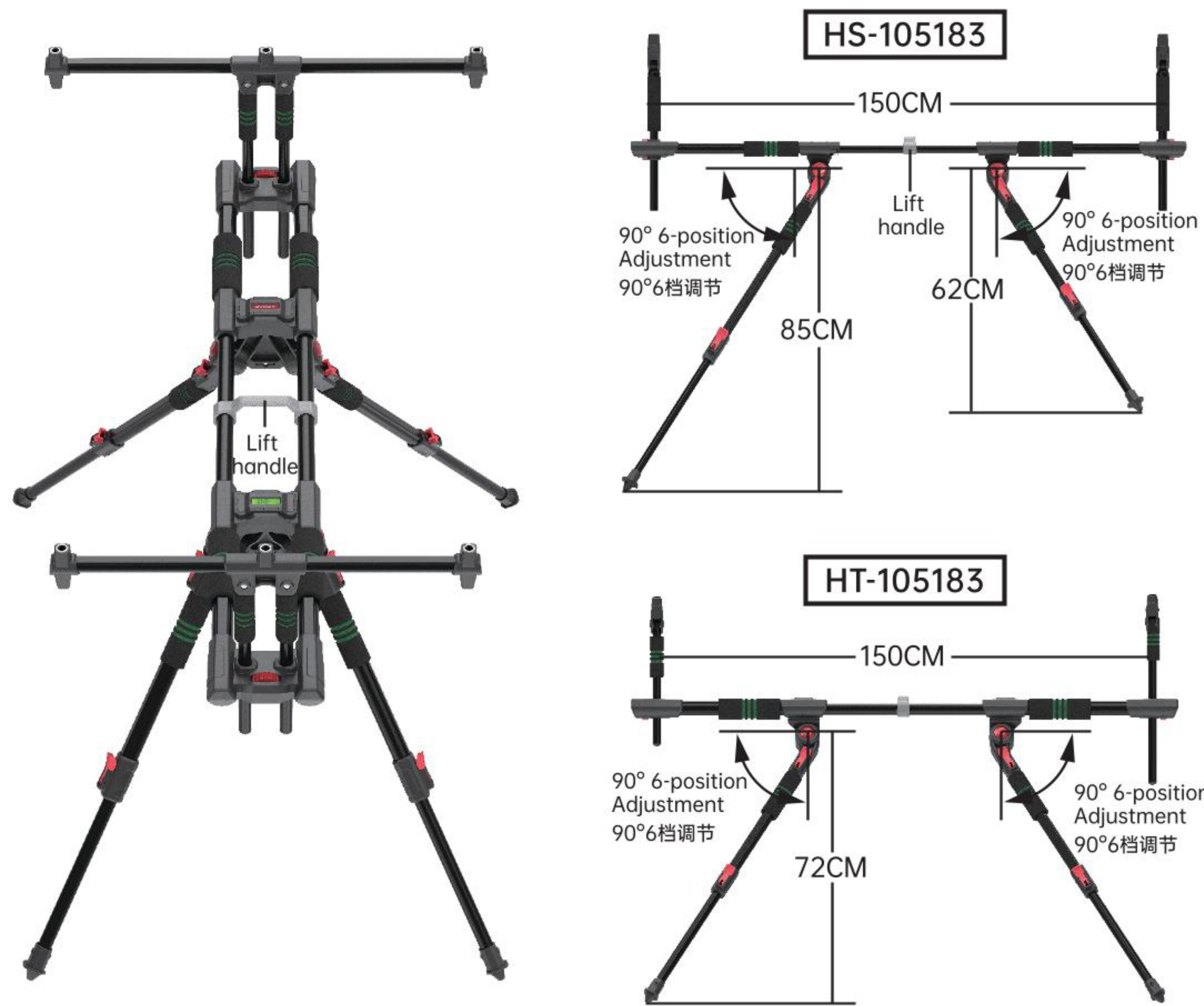
Warm Reminder: U-fork, V-fork and blister packs are not included.



105-TYPE VERTICAL CARP STAND(3 ROD HEAVYWEIGHT VERSION)

105型立式鲤鱼支架 (3竿重量版)

- Patented product  ZL·2021 2 1050574.1 ZL·2025 2 2642048.9
 专利产品 ZL·2023 3 0517324.2 ZL·2025 3 0735780.3

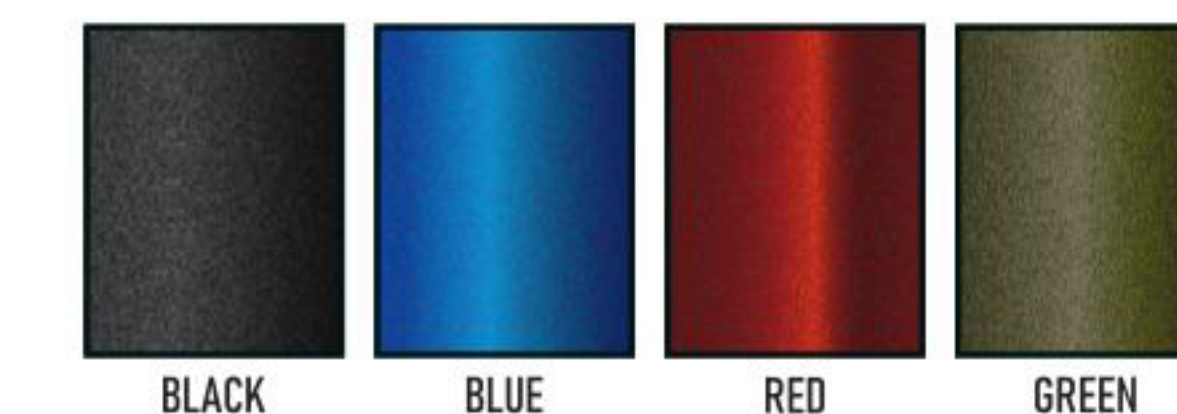


Main Material: PC/PA6 30%/SS304/TPE

Aluminum Tube With Reinforced Rib design

Material Standard: T5/6063
 Surface Hardness: \geq HW-12°
 Oxidize Thickness: 20 μ m

ALUMINUM ALLOY COLOR





HS-105183



HT-105183

105-TYPE VERTICAL CARP STAND (3 ROD LIGHTWEIGHT VERSION)
105型立式鲤鱼支架 (3竿重量版)


ITEM 编号	LENGTH 长度	CROSSBAR LENGTH 横杆长度	LEG LENGTH 脚长	NUMBER 竿数	WEIGHT 重量
HS-105183	102-160cm	55cm/65cm	62cm/85cm	3 rod	4205g
HT-105183	102-160cm	55cm/65cm	72cm	3 rod	4205g

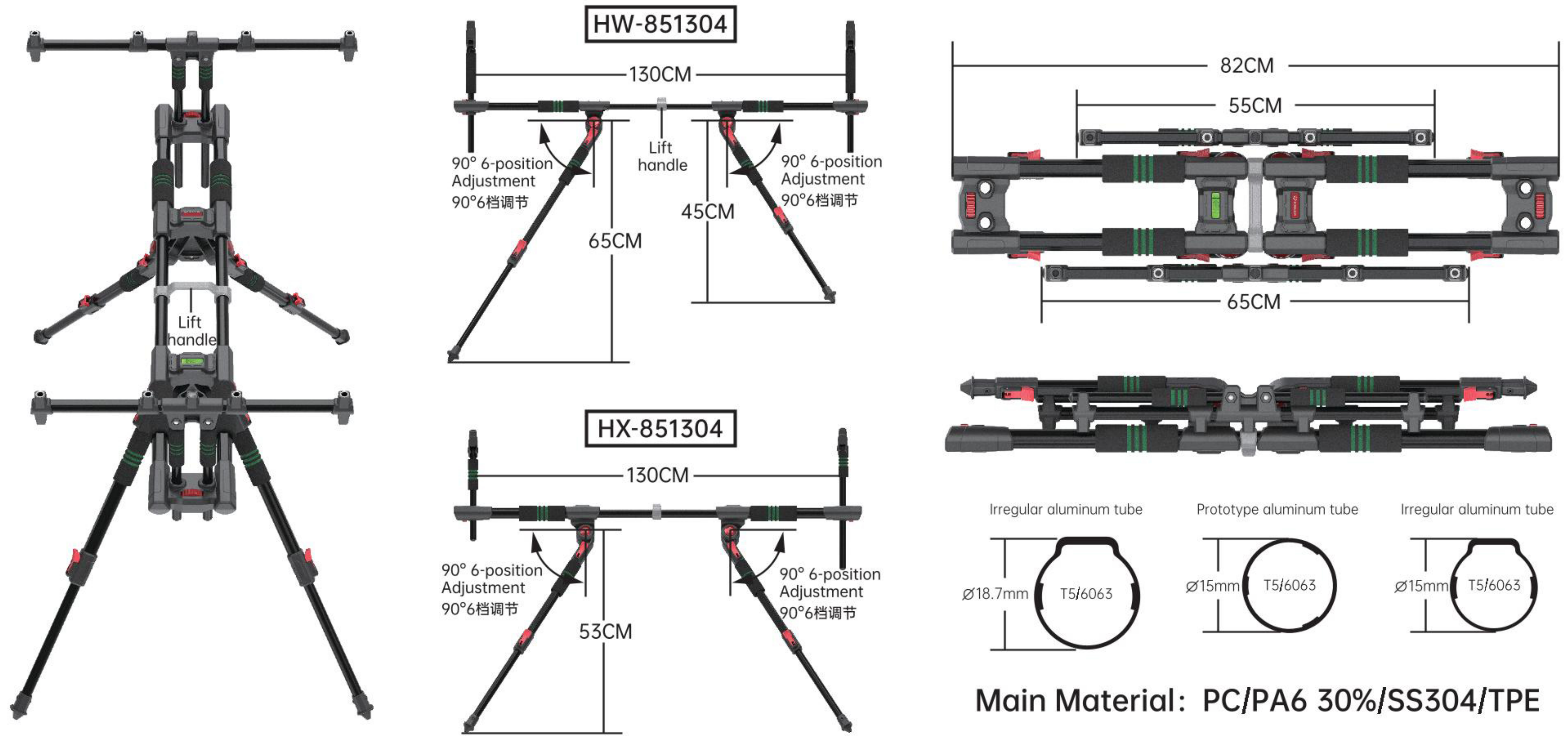
Warm Reminder: U-fork, V-fork and blister packs are not included.



85-TYPE VERTICAL CARP STAND(4 ROD LIGHTWEIGHT VERSION)

85型立式鲤鱼支架 (4竿轻量版)

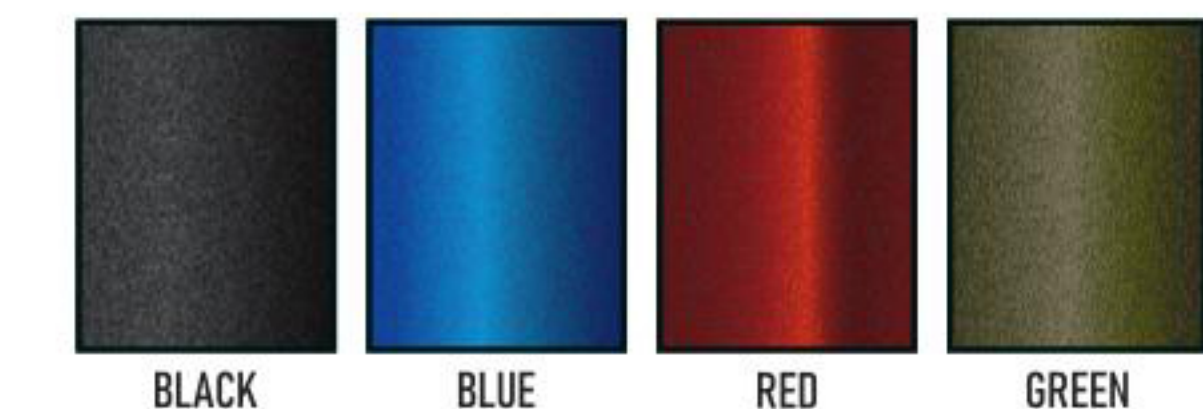
- Patented product  ZL·2021 2 1050574.1 ZL·2025 2 2642048.9
 专利产品 ZL·2023 3 0517324.2 ZL·2025 3 0735780.3



**Aluminum Tube
With Reinforced Rib design**

Material Standard: T5/6063
 Surface Hardness: ≥HW-12°
 Oxidize Thickness: 20µm

ALUMINUM ALLOY COLOR



Main Material: PC/PA6 30%/SS304/TPE



HW-851304



HX-851304

**85-TYPE VERTICAL CARP STAND(4 ROD LIGHTWEIGHT VERSION)
85型立式鲤鱼支架 (4竿轻量版)**

ITEM 编号	LENGTH 长度	CROSSBAR LENGTH 横杆长度	LEG LENGTH 脚长	NUMBER 竿数	WEIGHT 重量
HW-851304	82-140cm	55cm/65cm	45cm/65cm	4 rod	3470g
HX-851304	82-140cm	55cm/65cm	53cm	4 rod	3470g

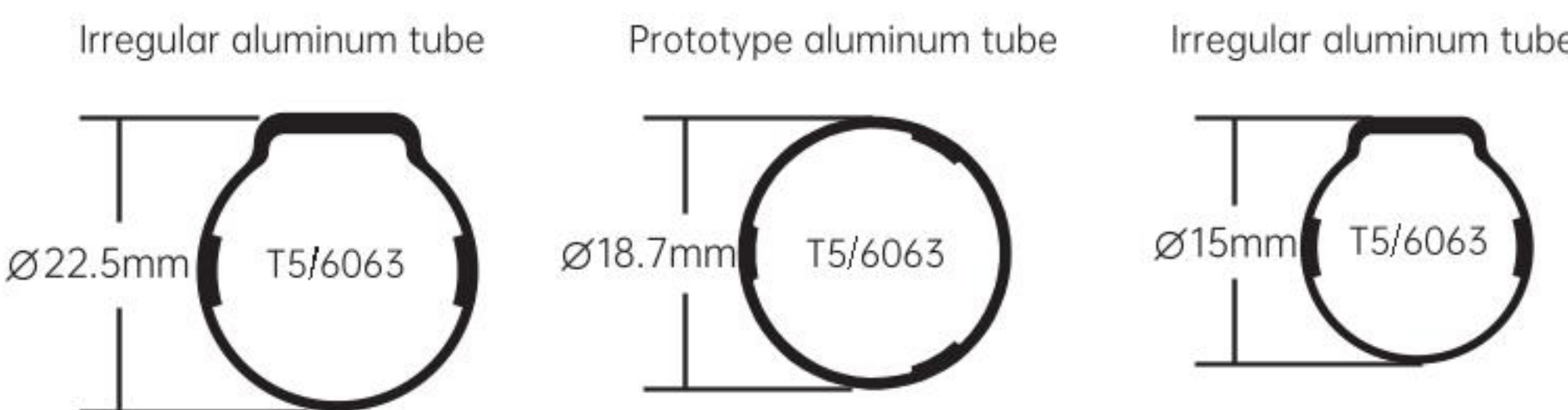
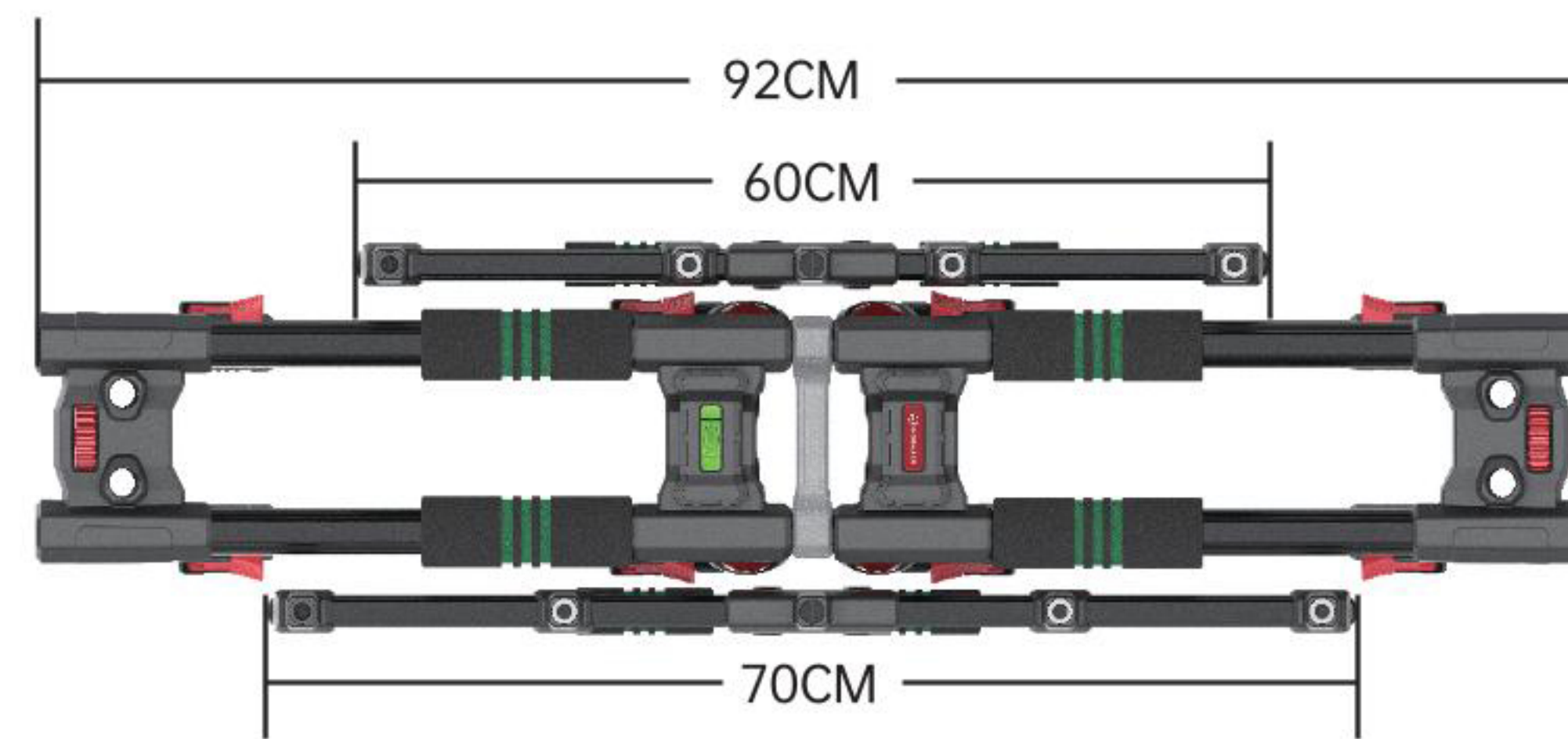
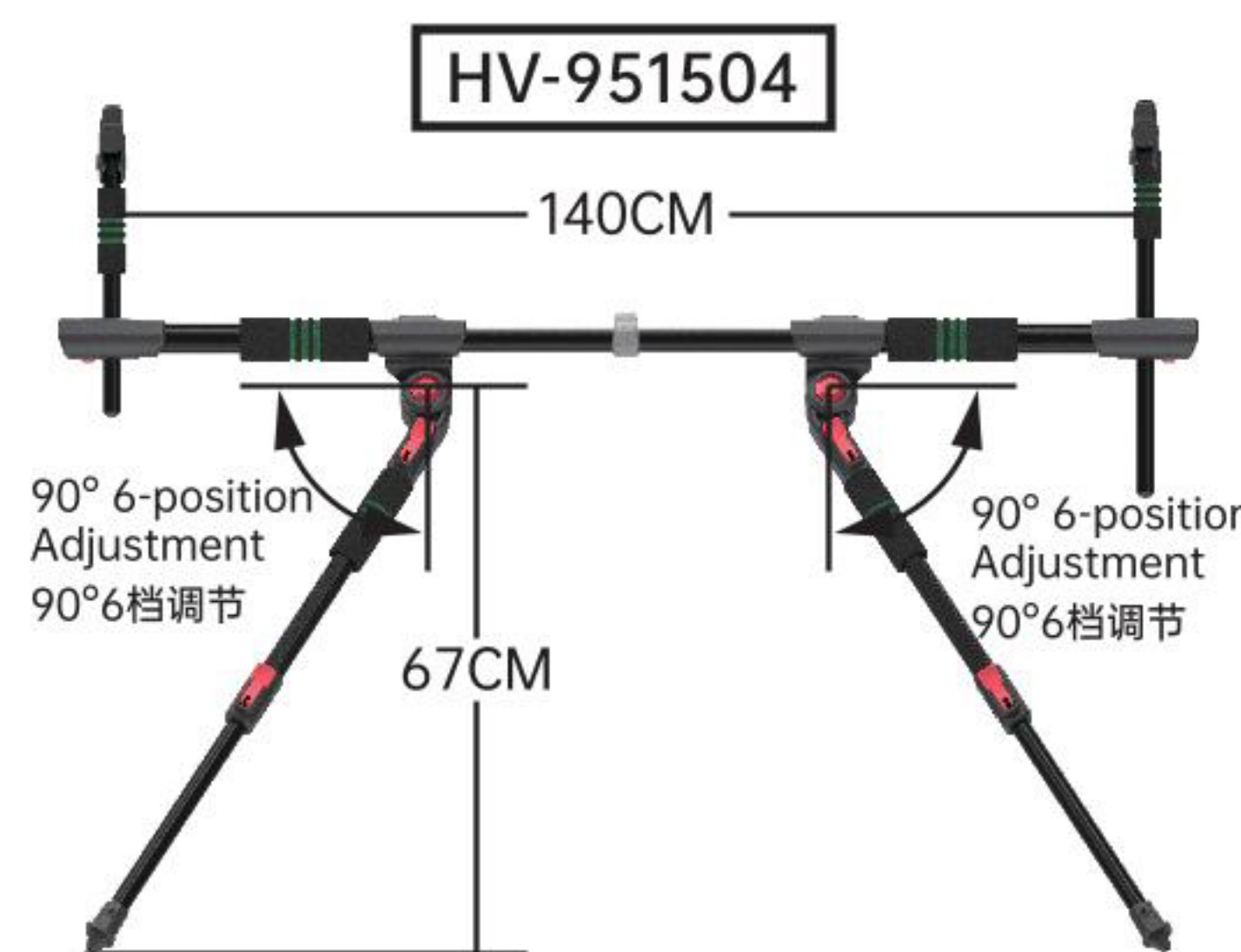
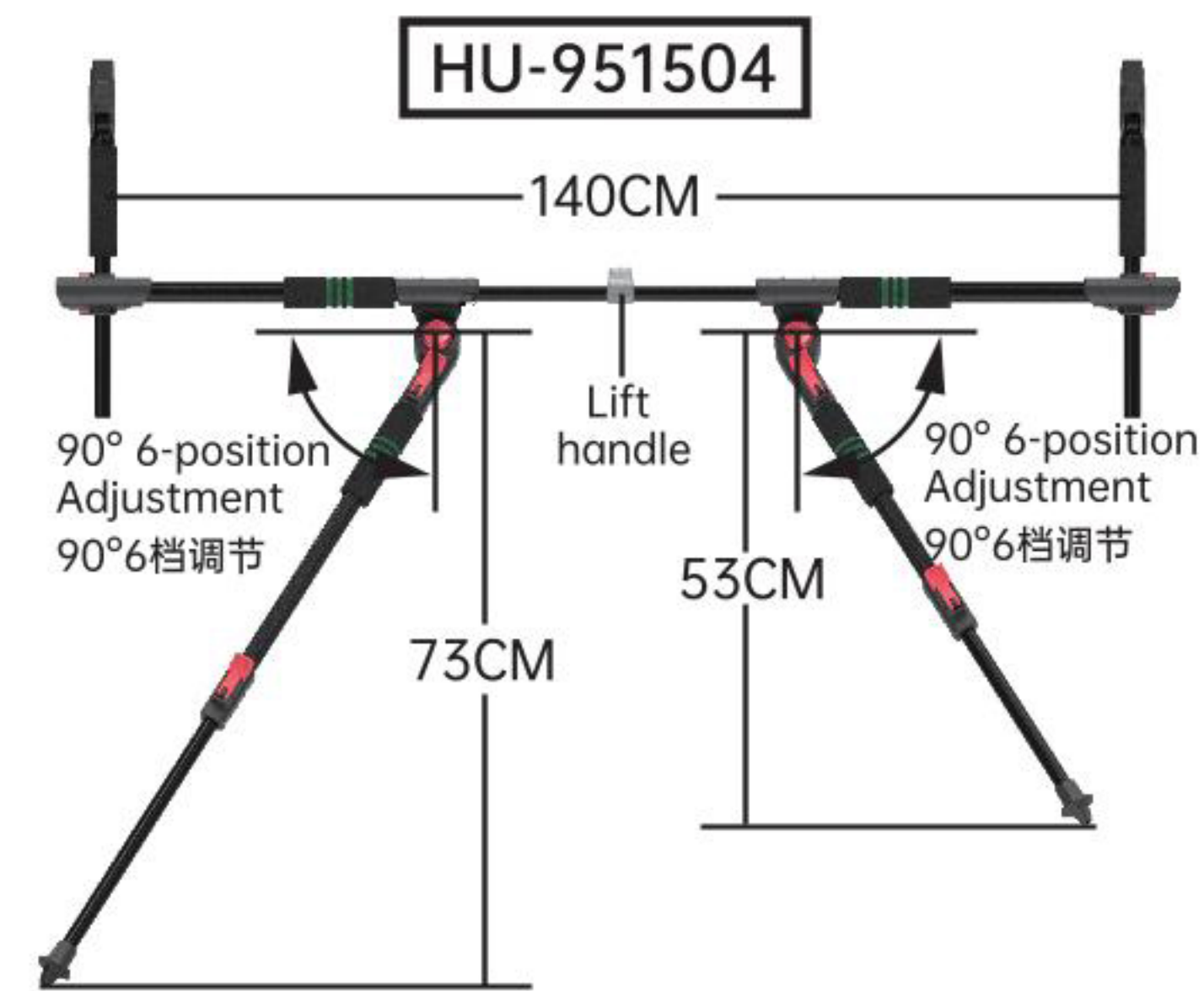
Warm Reminder: U-fork, V-fork and blister packs are not included.



95-TYPE VERTICAL CARP STAND(4 ROD MEDIUM-WEIGHT VERSION)

95型立式鲤鱼支架 (4竿中量版)

- Patented product ZL·2021 2 1050574.1 ZL·2025 2 2642048.9
 专利产品 ZL·2023 3 0517324.2 ZL·2025 3 0735780.3

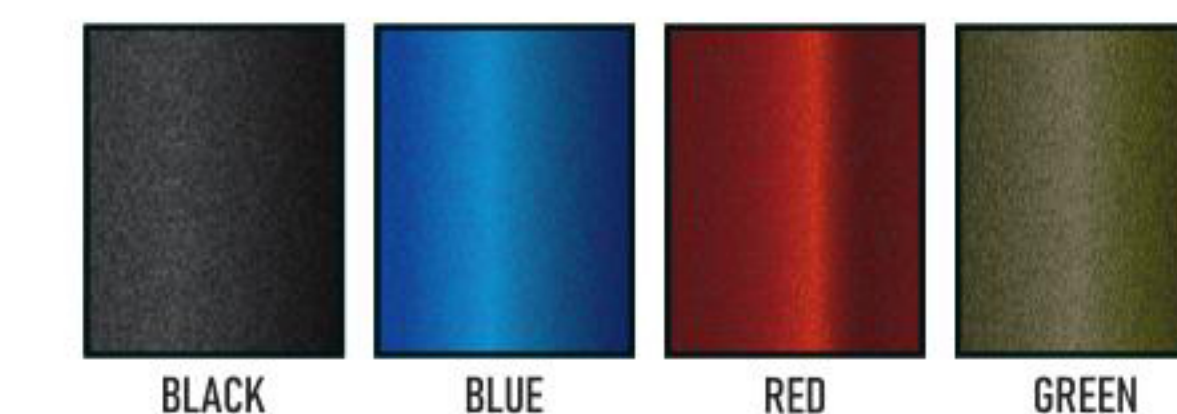


Main Material: PC/PA6 30%/SS304/TPE

Aluminum Tube With Reinforced Rib design

Material Standard: T5/6063
 Surface Hardness: \geq HW-12°
 Oxidize Thickness: 20 μ m

ALUMINUM ALLOY COLOR





HU-951504



HV-951504

95-TYPE VERTICAL CARP STAND(4 ROD LIGHTWEIGHT VERSION)
95型立式鲤鱼支架 (4竿中量版)


ITEM 编号	LENGTH 长度	CROSSBAR LENGTH 横杆长度	LEG LENGTH 脚长	NUMBER 竿数	WEIGHT 重量
HU-951504	92-150cm	60cm/70cm	53cm/73cm	4 rod	3800g
HV-951504	92-150cm	60cm/70cm	67cm	4 rod	3800g

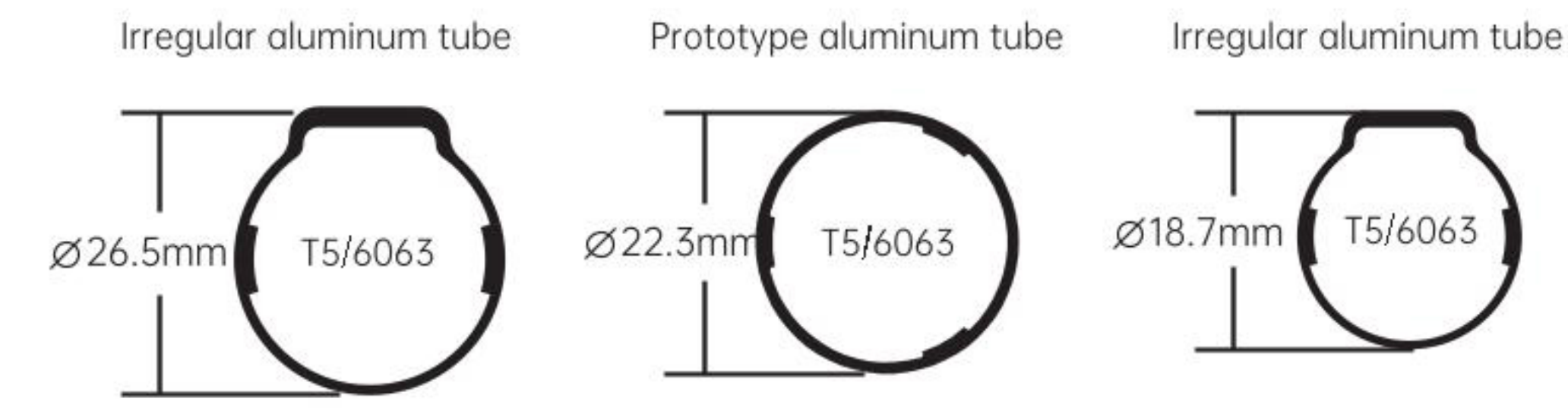
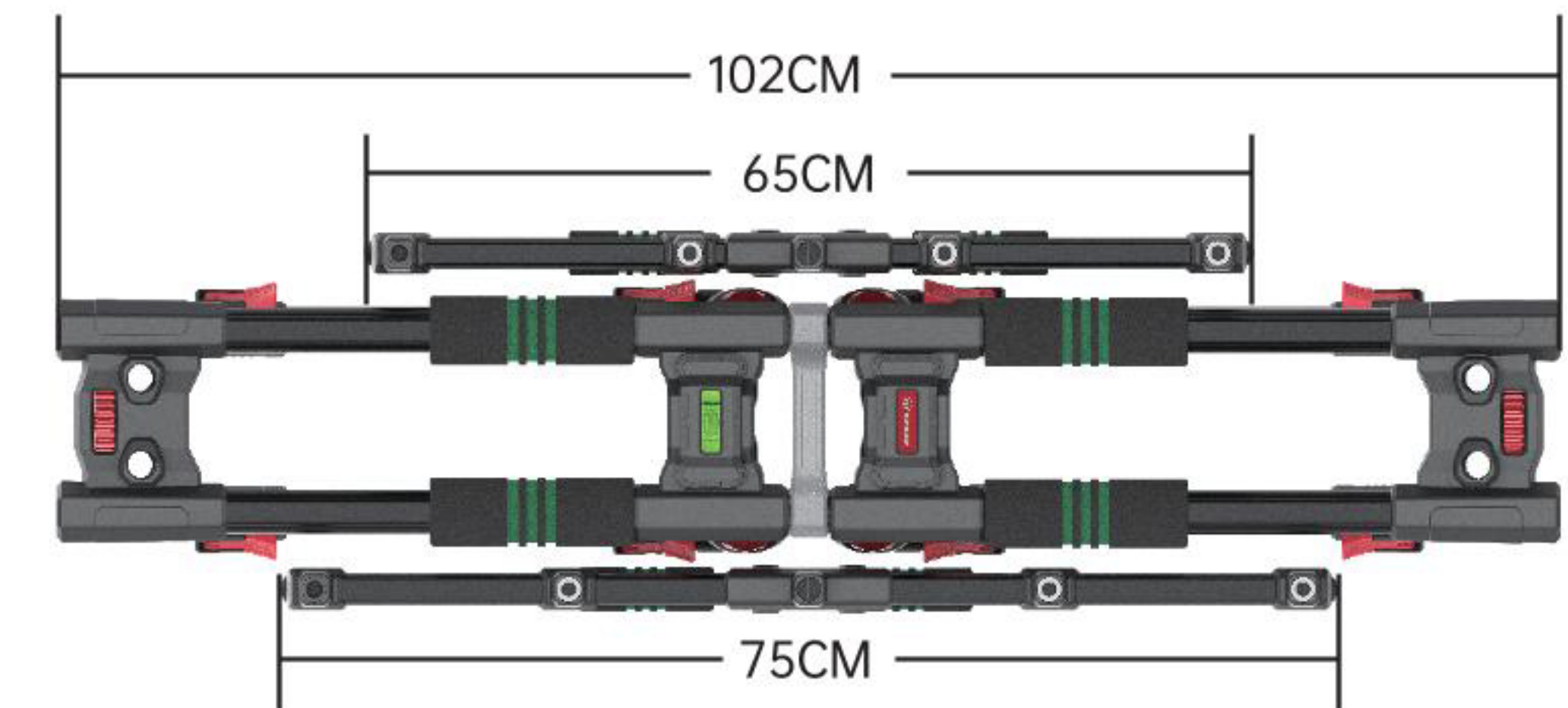
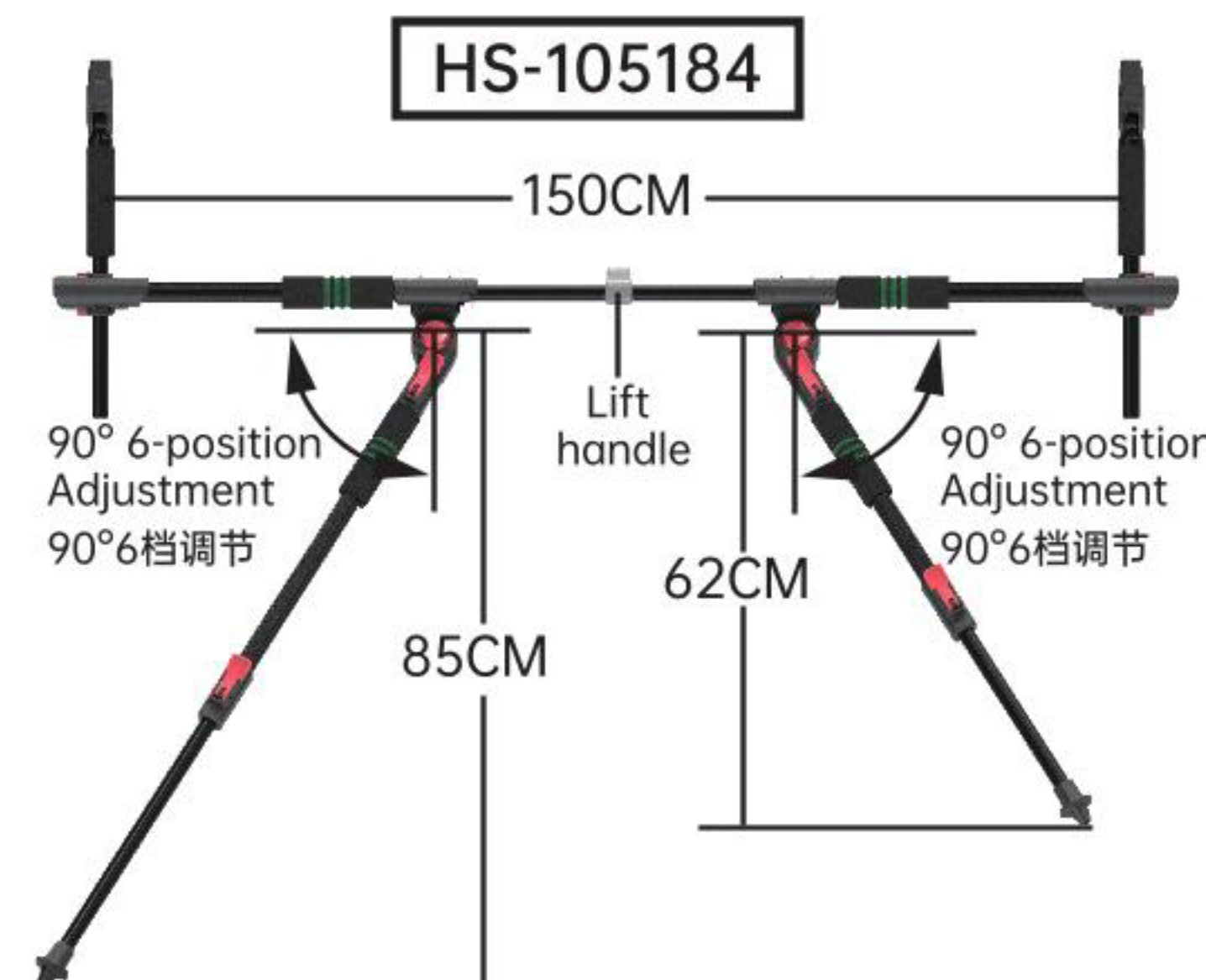
Warm Reminder: U-fork, V-fork and blister packs are not included.



105-TYPE VERTICAL CARP STAND (4 ROD HEAVYWEIGHT VERSION)

105型立式鲤鱼支架 (4竿重量版)

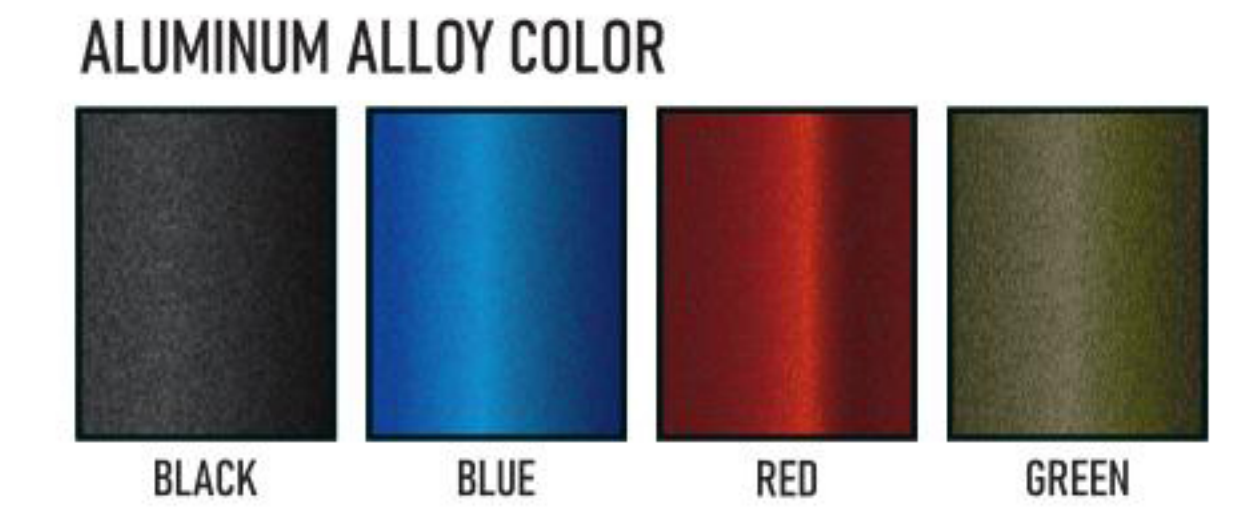
- Patented product  ZL·2021 2 1050574.1 ZL·2025 2 2642048.9
 专利产品 ZL·2023 3 0517324.2 ZL·2025 3 0735780.3



Main Material: PC/PA6 30%/SS304/TPE

**Aluminum Tube
With Reinforced Rib design**

Material Standard: T5/6063
 Surface Hardness: \geq HW-12°
 Oxidize Thickness: 20 μ m



PROFESSIONALISM · INNOVATION · SUPERIOR QUALITY · TRUSTWORTHINESS



HS-105184



HT-105184

105-TYPE VERTICAL CARP STAND(4 ROD LIGHTWEIGHT VERSION)
105型立式鲤鱼支架 (4竿重量版)

ITEM 编号	LENGTH 长度	CROSSBAR LENGTH 横杆长度	LEG LENGTH 脚长	NUMBER 竿数	WEIGHT 重量
HS-105184	102-160cm	65cm/75cm	62cm/85cm	4 rod	4290g
HT-105184	102-160cm	65cm/75cm	72cm	4 rod	4290g

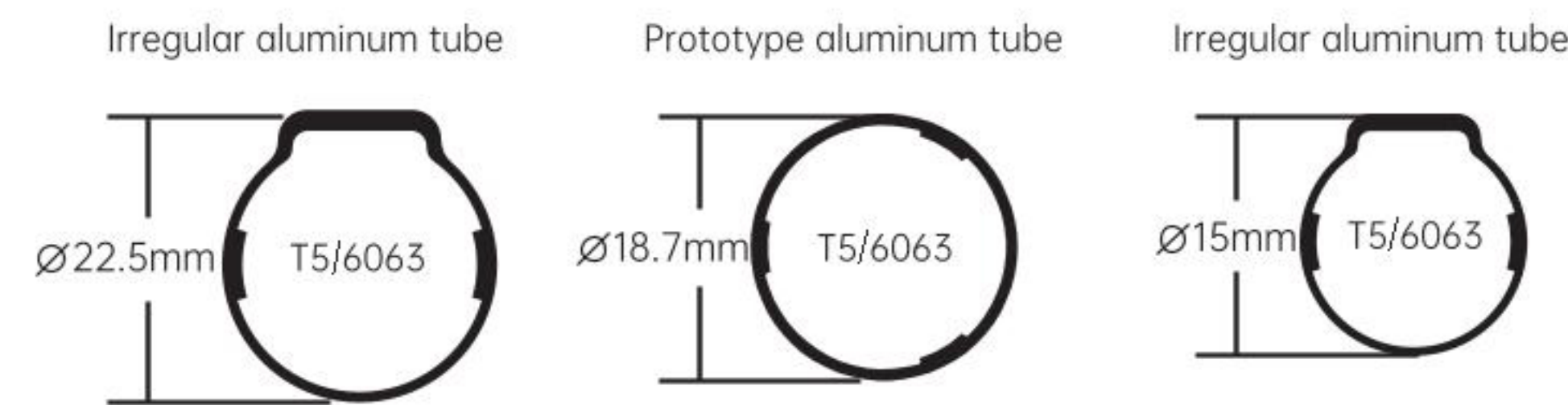
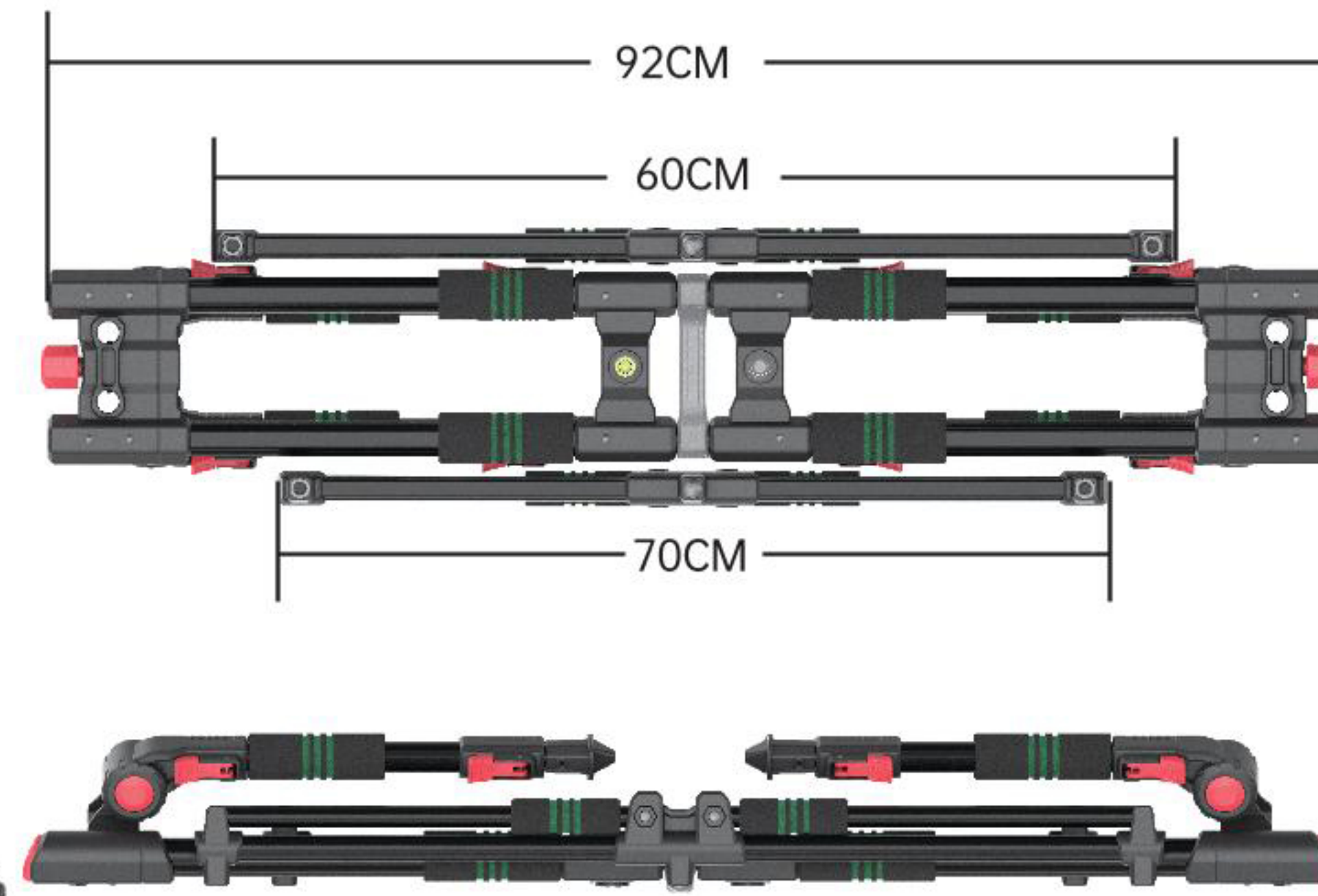
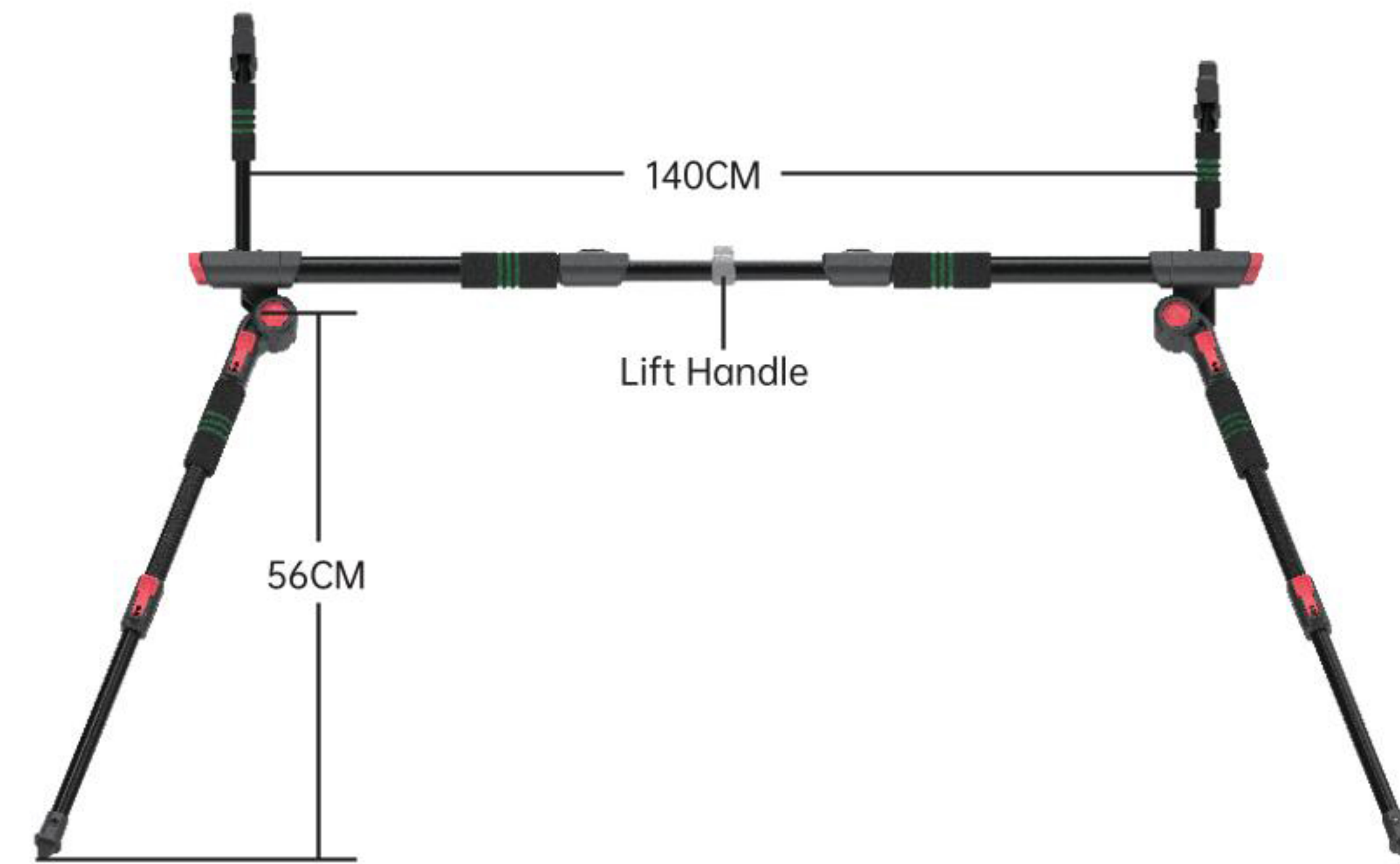
Warm Reminder: U-fork, V-fork and blister packs are not included.



95-TYPE CARP ROD POD DELUXE(3 ROD)

95型卧式鲤鱼支架 (3竿)

- Patented product  ZL·2021 2 1050574.1 ZL·2023 3 0517324.2
专利产品



Main Material: PC/PA6 30%/SS304/TPE

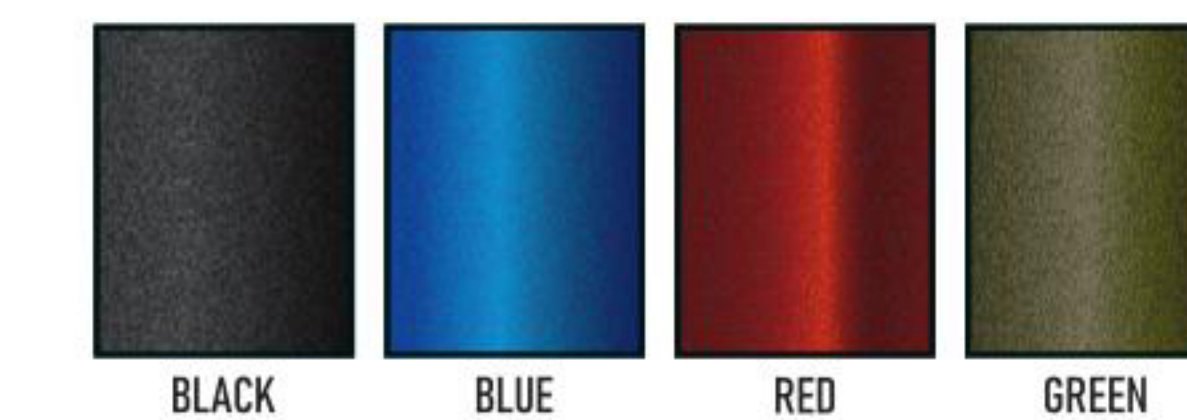
Aluminum Tube With Reinforced Rib design

Material Standard: T5/6063

Surface Hardness: \geq HW-12°

Oxidize Thickness: 20 μ m

ALUMINUM ALLOY COLOR





95-TYPE CARP ROD POD DELUXE(3 ROD)
95型卧式鲤鱼支架 (3竿)

ITEM 编号	LENGTH 长度	CROSSBAR LENGTH 横杆长度	LEG LENGTH 脚长	NUMBER 竿数	WEIGHT 重量
HY-951503	92-150cm	60cm/70cm	37-56cm	3 rod	3790g

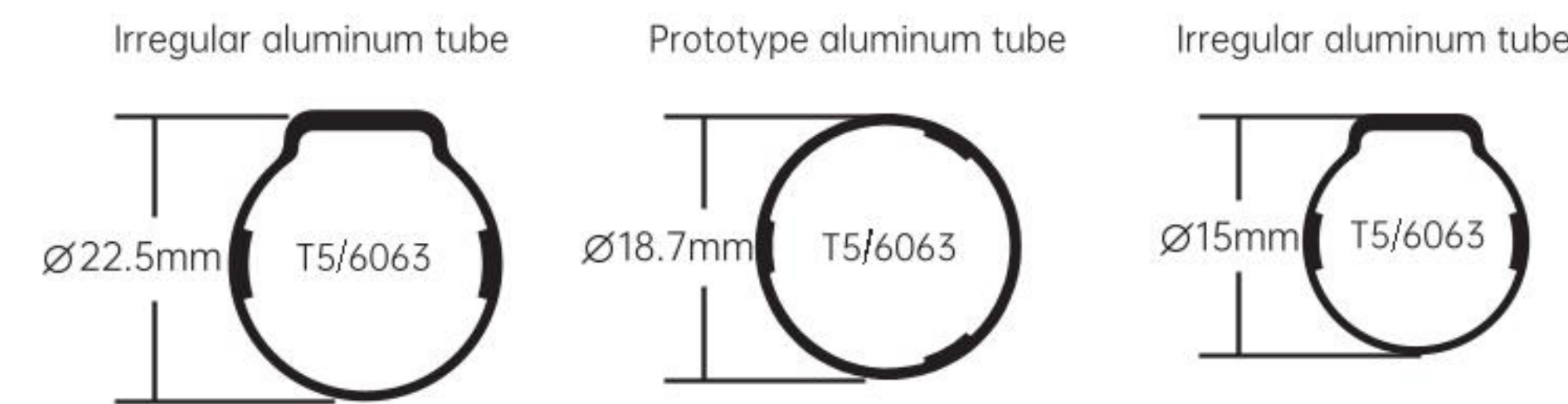
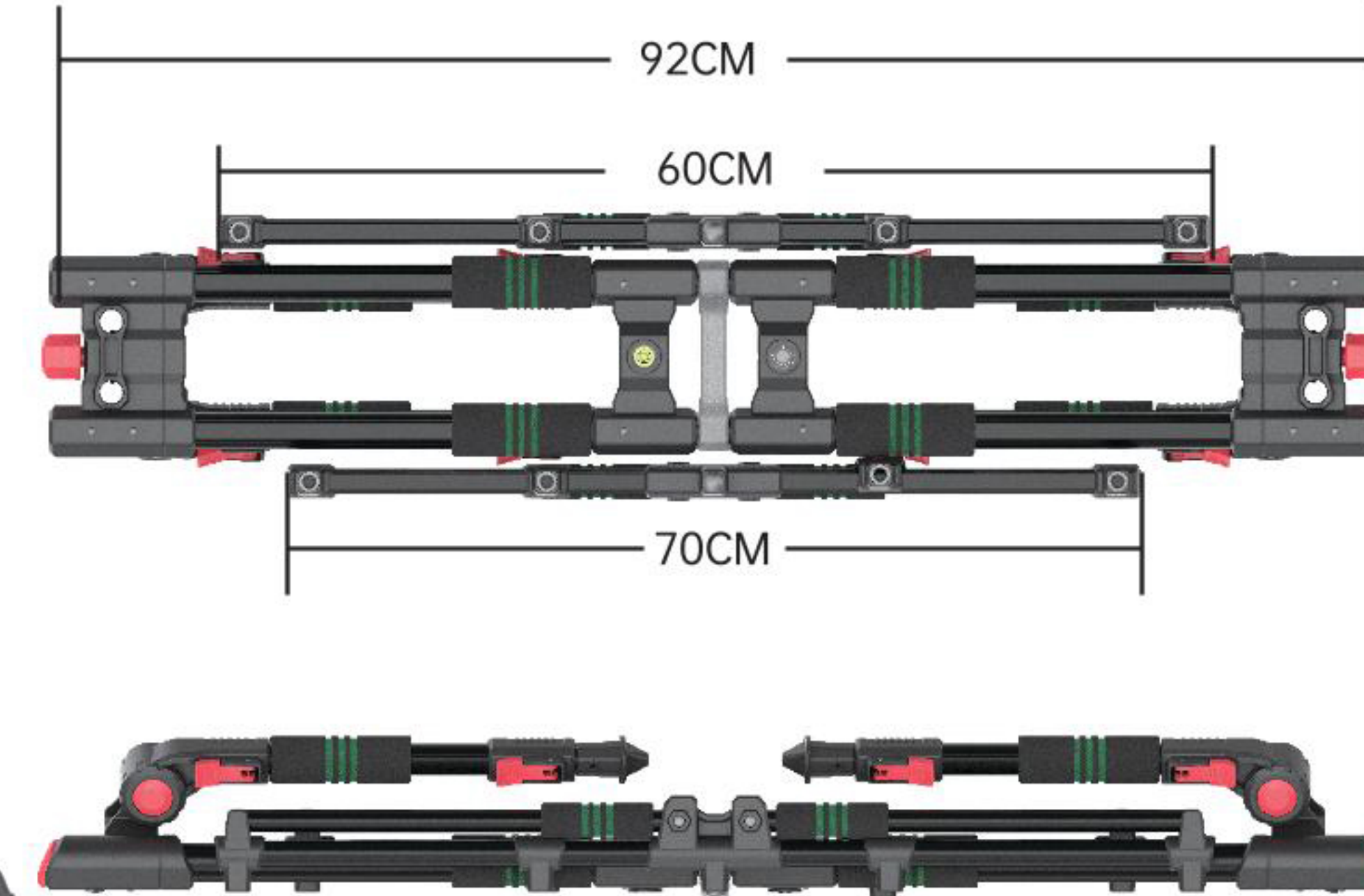
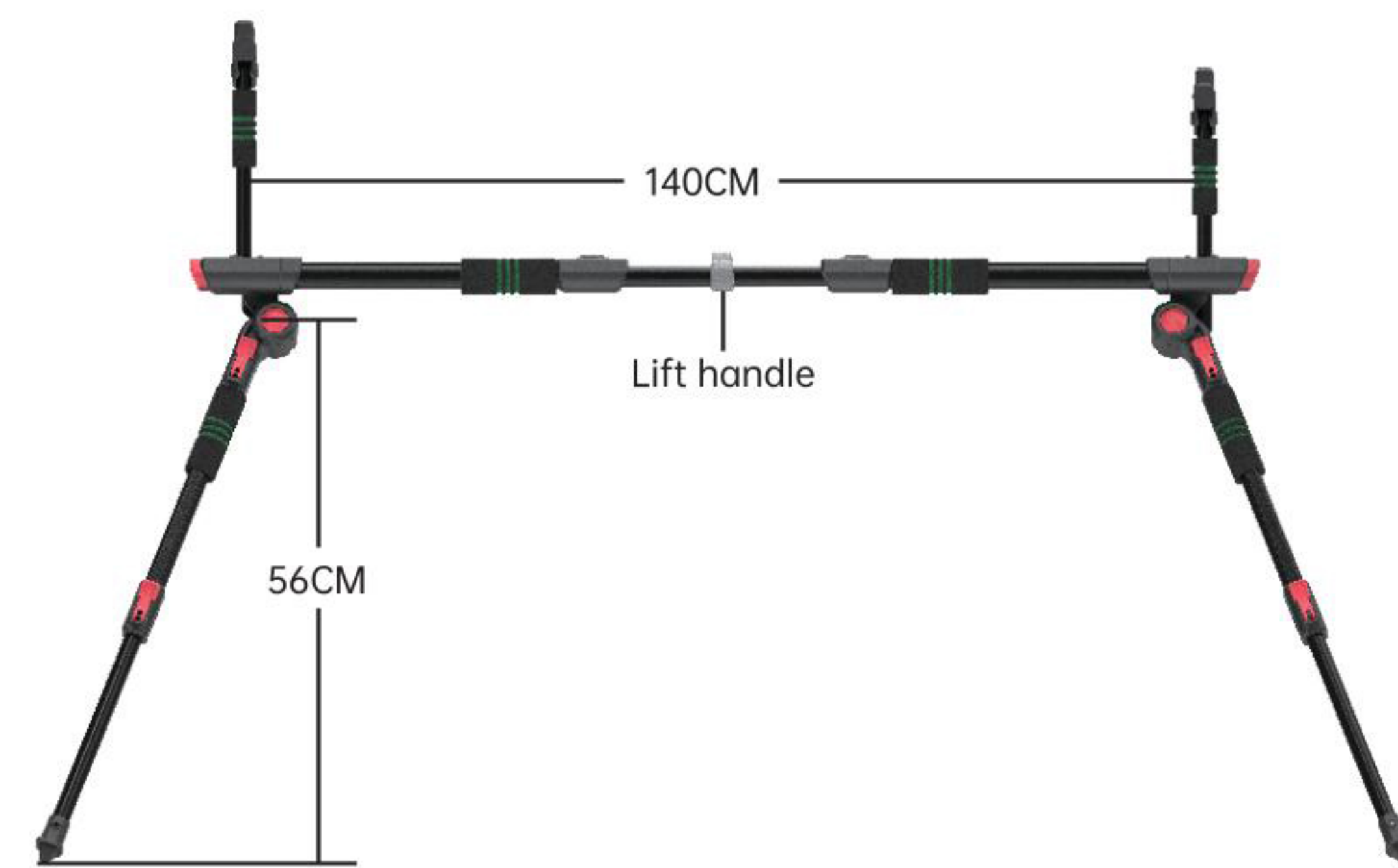
Warm Reminder: U-fork, V-fork and blister packs are not included.



95-TYPE CARP ROD POD DELUXE(4 ROD)

95型卧式鲤鱼支架 (4竿)

- Patented product  ZL·2021 2 1050574.1 ZL·2023 3 0517324.2
专利产品



Main Material: PC/PA6 30%/SS304/TPE

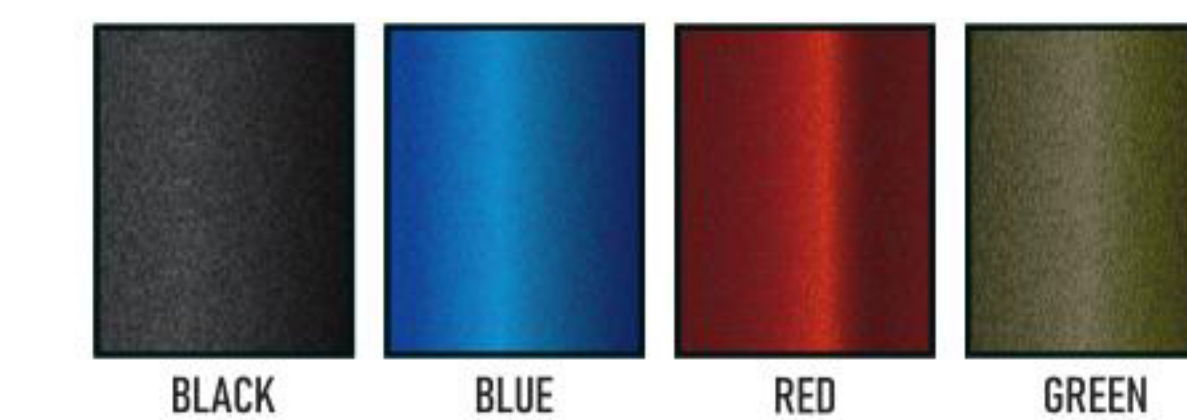
**Aluminum Tube
With Reinforced Rib design**

Material Standard: T5/6063

Surface Hardness: ≥HW-12°

Oxidize Thickness: 20µm

ALUMINUM ALLOY COLOR





95-TYPE CARP ROD POD DELUXE(4 ROD)
95型卧式鲤鱼支架 (4竿)

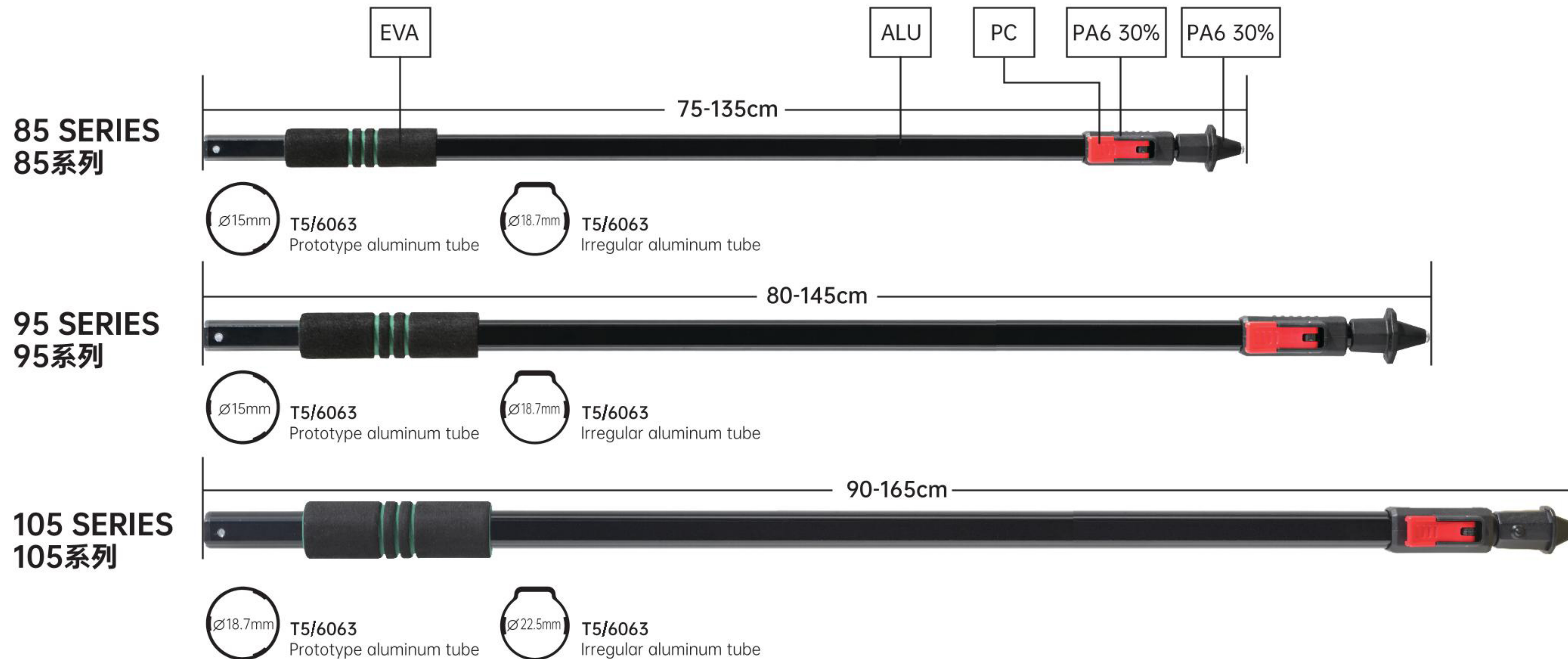
ITEM 编号	LENGTH 长度	CROSSBAR LENGTH 横杆长度	LEG LENGTH 脚长	NUMBER 竿数	WEIGHT 重量
HY-951504	92-150cm	60cm/70cm	37-56cm	4 rod	3870g

Warm Reminder: U-fork, V-fork and blister packs are not included.



85/95/105 EXTENDED LEG FOR CARP FISHING ROD POD

85/95/105欧鲤支架加长腿



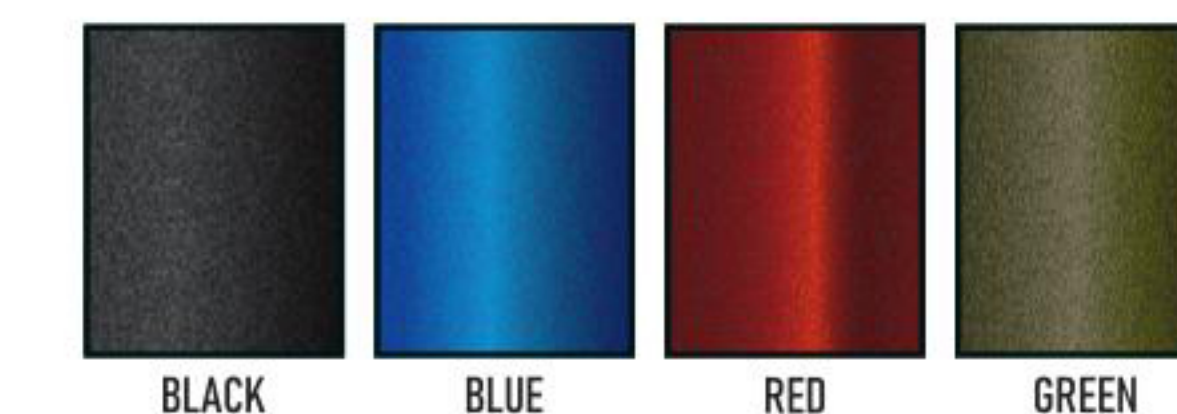
**Aluminum Tube
With Reinforced Rib design**

Material Standard: T5/6063

Surface Hardness: \geq HW-12°

Oxidize Thickness: 20 μ m

ALUMINUM ALLOY COLOR





PX-1051652

Compatible with Series 105 Carp Fishing Rod Pod
适用105系列欧鲤支架



PY-9501452

Compatible with Series 95 Carp Fishing Rod Pod
适用95系列欧鲤支架



PZ-8501352

Compatible with Series 85 Carp Fishing Rod Pod
适用85系列欧鲤支架



85/95/105 EXTENDED LEG FOR CARP FISHING ROD POD
85/95/105欧鲤支架加长腿

ITEM 编号	TUBE MATERIAL 管材	COMPONENTS 辅料	LENGTH 长度	WEIGHT 重量
PZ-8501352	Aluminum alloy	304 SS/PA625%	75-135cm	500g
PY-9501452	Aluminum alloy	304 SS/PA625%	80-145cm	530g
PX-1051652	Aluminum alloy	304 SS/PA625%	90-165cm	770g



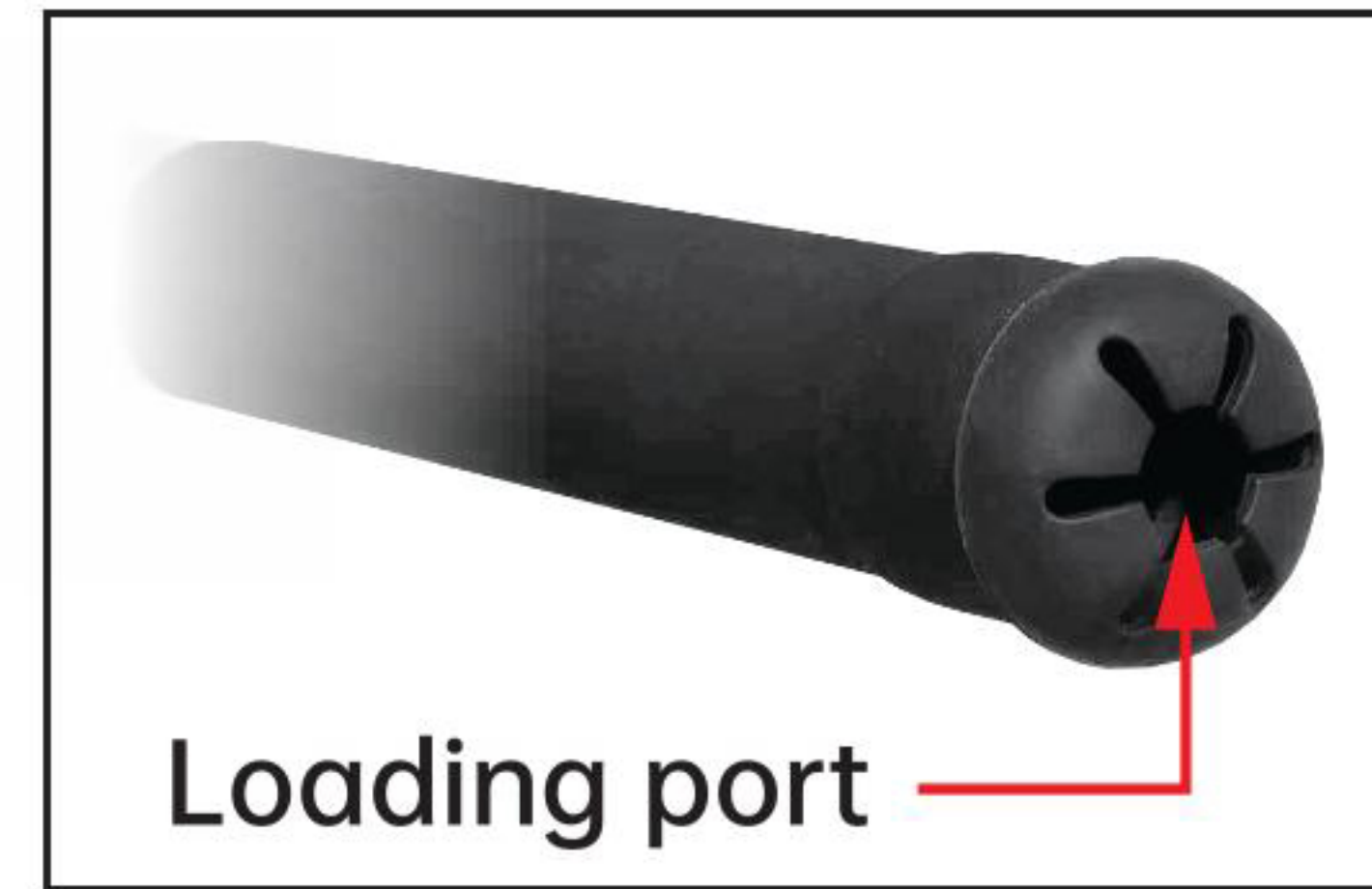
30 SERIES
30系列



28 SERIES
28系列

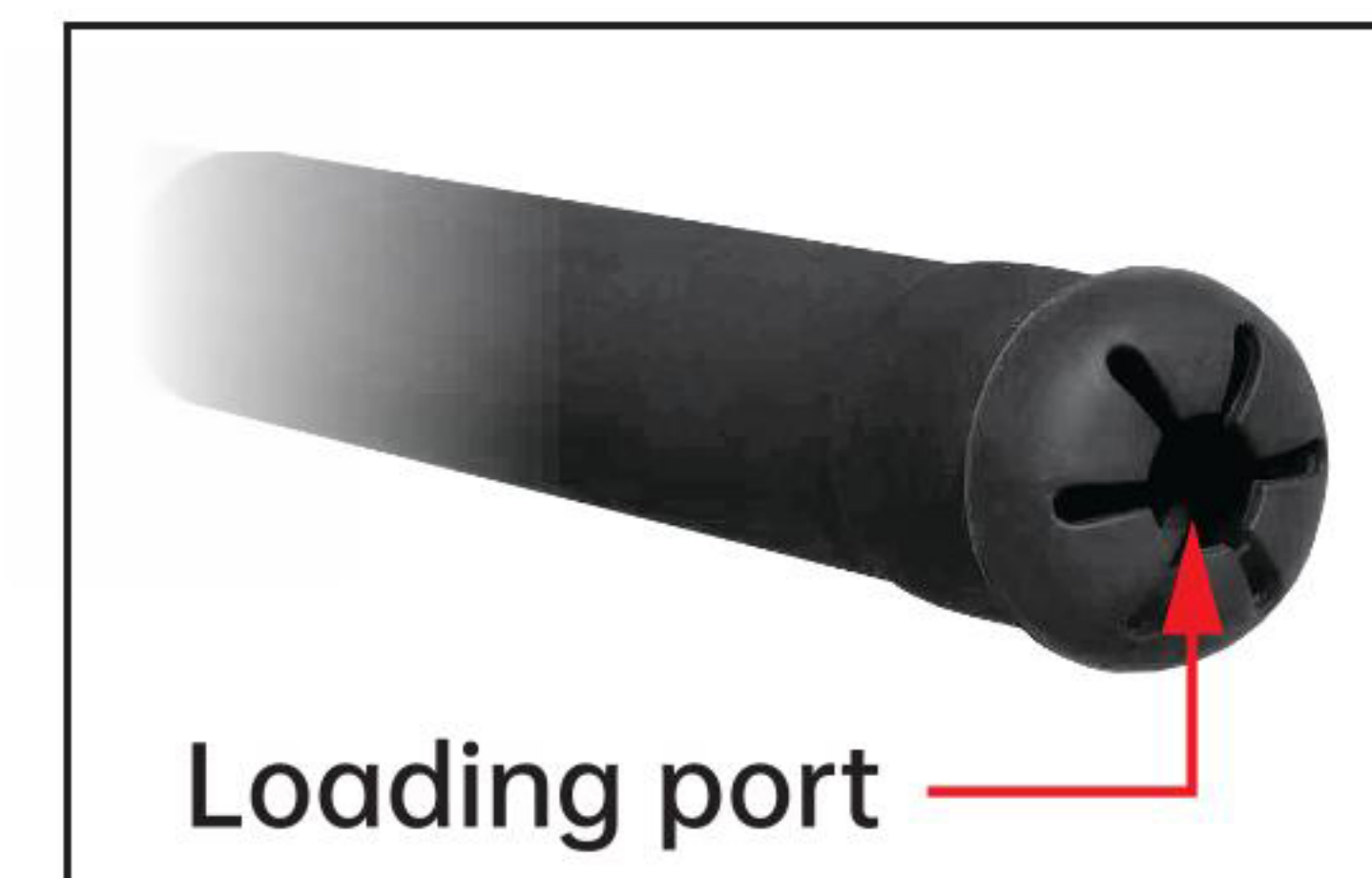
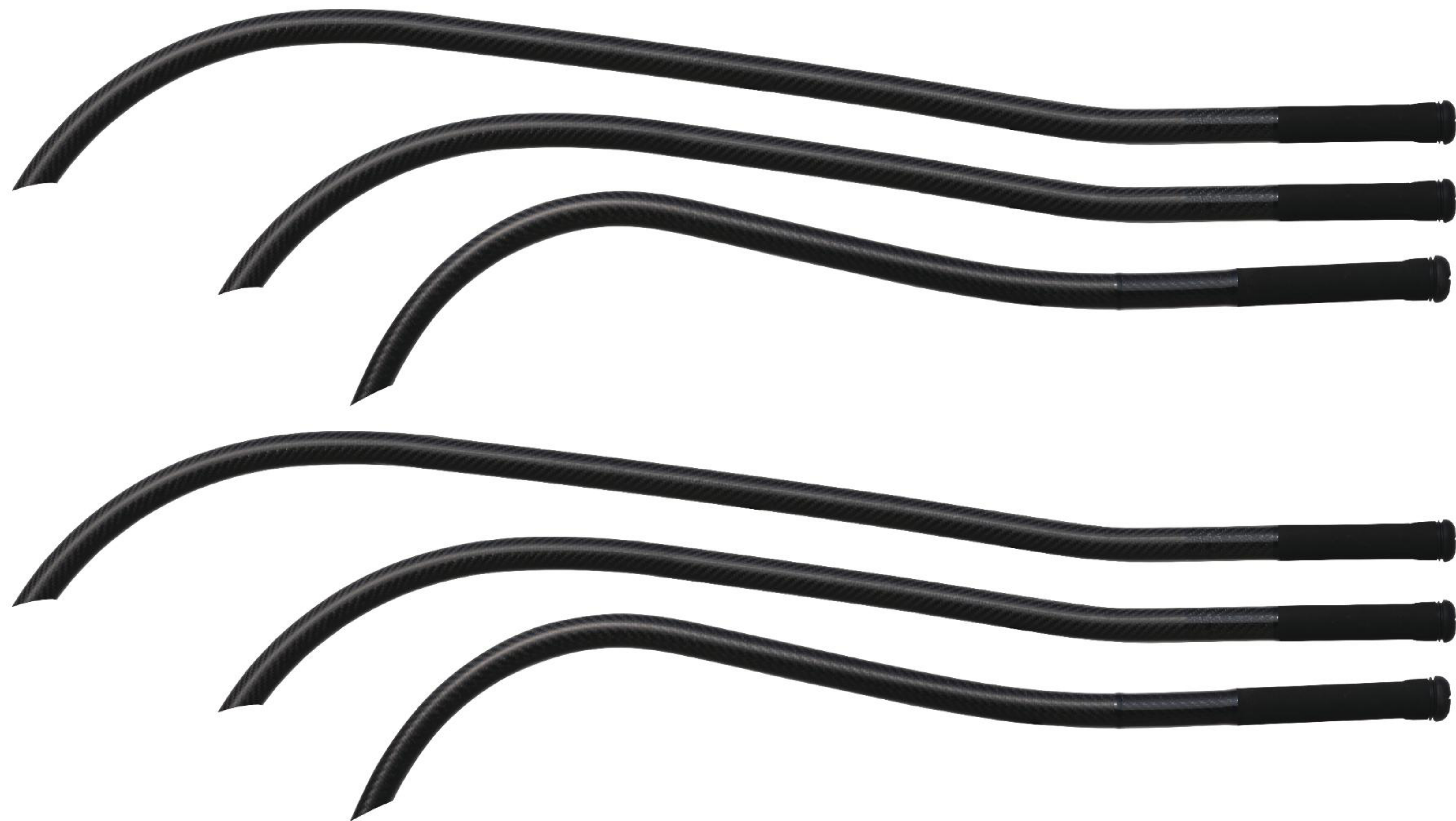


25 SERIES
25系列



CARBON THROWING STICK(L-TYPE)
3K碳素投饵杆 (L型)

ITEM 编号	SIZE 口径	GRIP MATERIAL 握把	BAIT FILLING PORT 塞饵口	LENGTH 长度
LL-300120	Ø 30cm	heat shrink tube	Silicone	120cm
LL-300090	Ø 30cm	heat shrink tube	Silicone	90cm
LL-300060	Ø 30cm	heat shrink tube	Silicone	60cm
LL-280120	Ø 28cm	heat shrink tube	Silicone	120cm
LL-280090	Ø 28cm	heat shrink tube	Silicone	90cm
LL-280060	Ø 28cm	heat shrink tube	Silicone	60cm
LL-250120	Ø 25cm	heat shrink tube	Silicone	120cm
LL-250090	Ø 25cm	heat shrink tube	Silicone	90cm
LL-250060	Ø 25cm	heat shrink tube	Silicone	60cm



CARBON THROWING STICK(S-TYPE)
3K碳素投饵杆(S型)

ITEM 编号	SIZE 口径	GRIP MATERIAL 握把	BAIT FILLING PORT 塞饵口	LENGTH 长度
LS-280120	Ø 28cm	heat shrink tube	Silicone	120cm
LS-280090	Ø 28cm	heat shrink tube	Silicone	90cm
LS-280060	Ø 28cm	heat shrink tube	Silicone	60cm
LS-250120	Ø 25cm	heat shrink tube	Silicone	120cm
LS-250090	Ø 25cm	heat shrink tube	Silicone	90cm
LS-250060	Ø 25cm	heat shrink tube	Silicone	60cm



FISHING BITE ALARM(LI-BATTERY) 钓鱼报警器 (锂电)



KD-01

Volume on/off: Press and hold for 3 sec to turn on/off. Press the Volume button to cycle adjustment

Tone Button: Press the button to cycle adjust 5 tone levels.

Device Under-Voltage: Low battery indicated by flashing green light and intermittent beeping.

Device Charging Status: Green light on while charging, red light on when fully charged.

Standby at work: 1000 hours

开关音量：按3秒开机，按3秒关机，点按音量循环调节。

音调按钮：点按循环调节5段音调。

本机亏电：亏电，绿灯闪烁，间断蜂鸣。

本机充电：充电绿灯亮，满电红灯亮。

工作待机：1000小时

KD-02

Volume on/off: Press and hold for 3 sec to turn on/off. Press the Volume button to cycle adjustment

Tone Button: Press the button to cycle adjust 5 tone levels.

Device Under-Voltage: Low battery indicated by flashing green light and intermittent beeping.

Device Charging Status: Green light on while charging, red light on when fully charged.

Standby at work: 1000 hours

开关音量：按3秒开机，按3秒关机，点按音量循环调节。

音调按钮：点按循环调节5段音调。

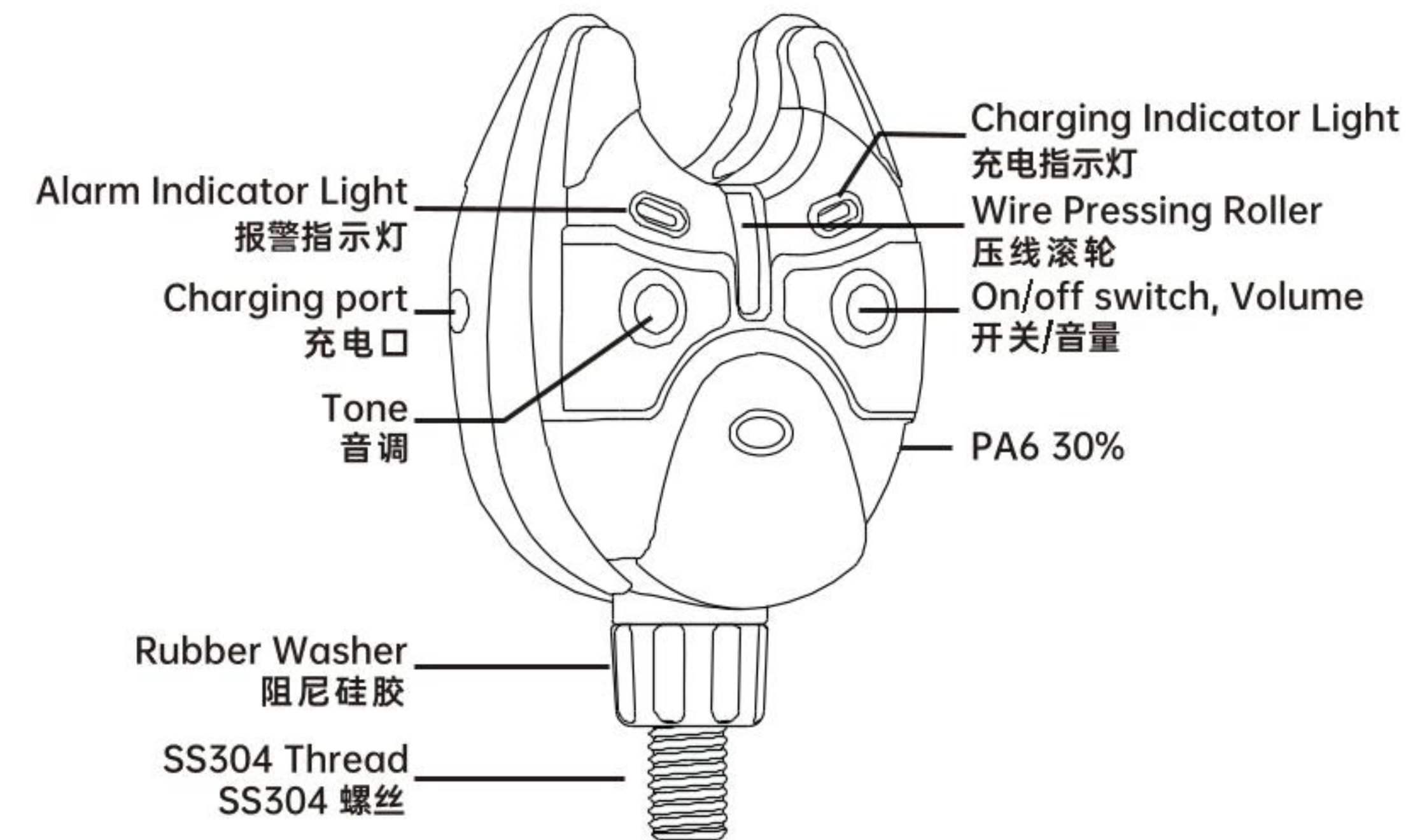
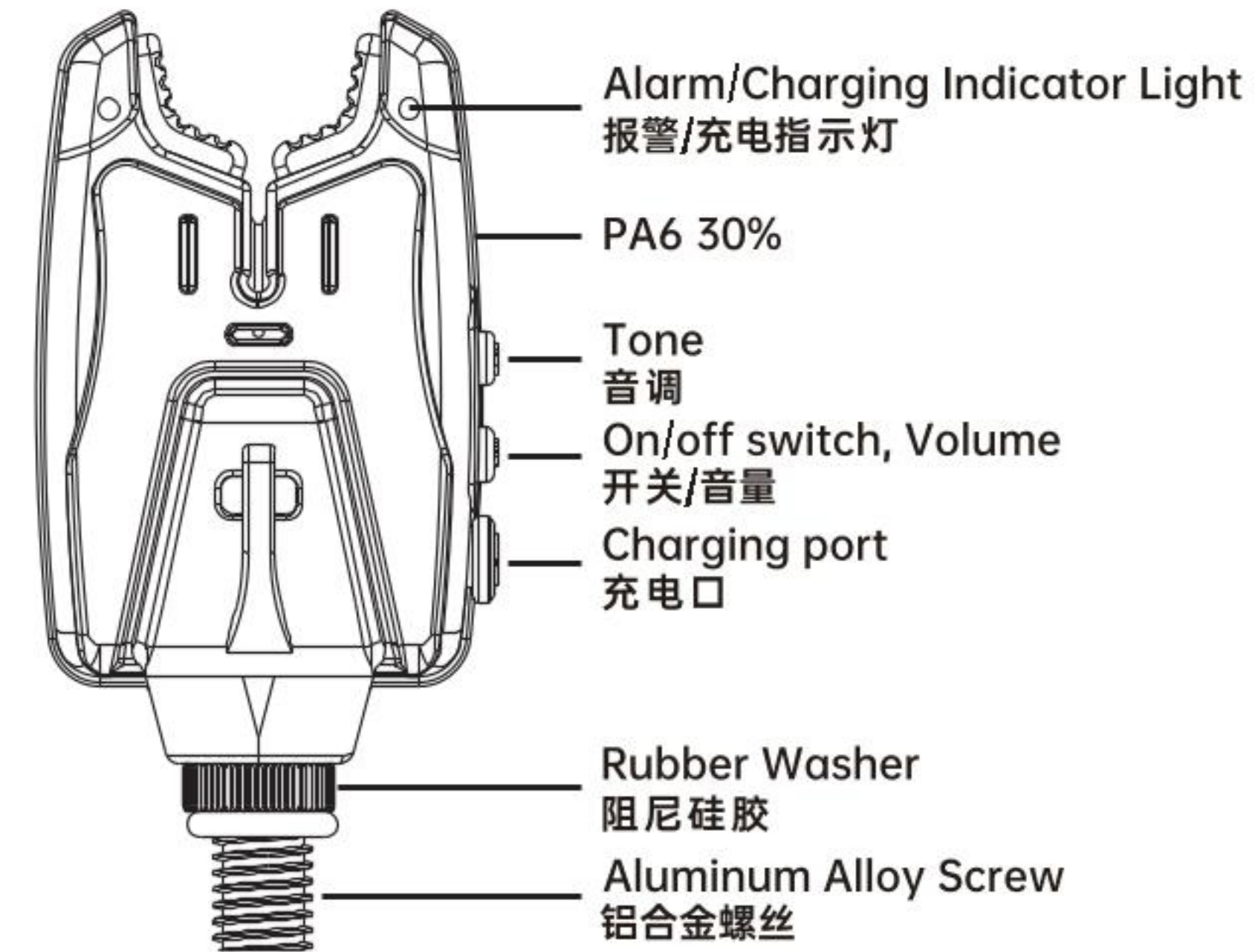
本机亏电：亏电，绿灯闪烁，间断蜂鸣。

本机充电：充电绿灯亮，满电红灯亮。

工作待机：1000小时

Reminder: Recharge every 60 days to protect lithium battery & performance.

友情提醒：60天内必须充电一次，以防锂电池亏电，影响使用。





KD-01 MZ-301401



MINI FISHING BITE ALARM(LI-BATTERY)
迷你钓鱼报警器 (锂电)

ITEM 编号	RECEPTION 款式	Li-BATTERY 锂电池	BATTERY CAPACITY 电池容量	STANDBY 待机	WEIGHT 重量
MZ-301401	Single-unit	3.7V	300mAh	1000h	330g

Charger specification: 2V-2A, 100-240V; Recharge once every two months.
选择2V-2A, 100-240V充电器, 需两个月充电一次

KD-02 MY-301401



FISHING BITE ALARM(LI-BATTERY)
钓鱼报警器 (锂电)

ITEM 编号	RECEPTION 款式	Li-BATTERY 锂电池	BATTERY CAPACITY 电池容量	STANDBY 待机	WEIGHT 重量
MY-301401	Single-unit	3.7V	500mAh	1000h	110g

Charger specification: 2V-2A, 100-240V; Recharge once every two months.
选择2V-2A, 100-240V充电器, 需两个月充电一次



REMOTE FISHING ALARM(LI-BATTERY) 远程钓鱼报警器 (锂电)

KD-03

Volume on/off: Press and hold for 3 sec to turn on/off. Press the Volume button to cycle adjustment

Tone Button: Press the button to cycle adjust 5 tone levels.

Sensitivity Button: Press the button to cycle adjust 5 sensitivity levels.

Device Under-Voltage: Low battery indicated by flashing green light and intermittent beeping.

Device Charging Status: Green light on while charging, red light on when fully charged.

Standby at work: 500 hours

开关音量: 按3秒开机, 按3秒关机, 点按音量循环调节。

音调按钮: 点按循环调节5段音调。

灵敏按钮: 点按循环调节5段灵敏度。

本机亏电: 亏电, 绿灯闪烁, 间断蜂鸣。

本机充电: 充电绿灯亮, 满电红灯亮。

工作待机: 500小时

KD-04

Volume on/off: Press and hold for 3 sec to turn on/off. Press the Volume button to cycle adjustment

Tone Button: Press the button to cycle adjust 5 tone levels.

Sensitivity Button: Press the button to cycle adjust 5 sensitivity levels.

Ambient light button: Press and hold to turn the ambient light on; press and hold again to turn it off.

Device Under-Voltage: Low battery indicated by flashing green light and intermittent beeping.

Device Charging Status: Green light on while charging, red light on when fully charged.

Standby at work: 500 hours

开关音量: 按3秒开机, 按3秒关机, 点按音量循环调节。

音调按钮: 点按循环调节5段音调。

灵敏按钮: 点按循环调节5段灵敏度。

氛围按钮: 长按氛围灯亮, 长按氛围灯关闭。

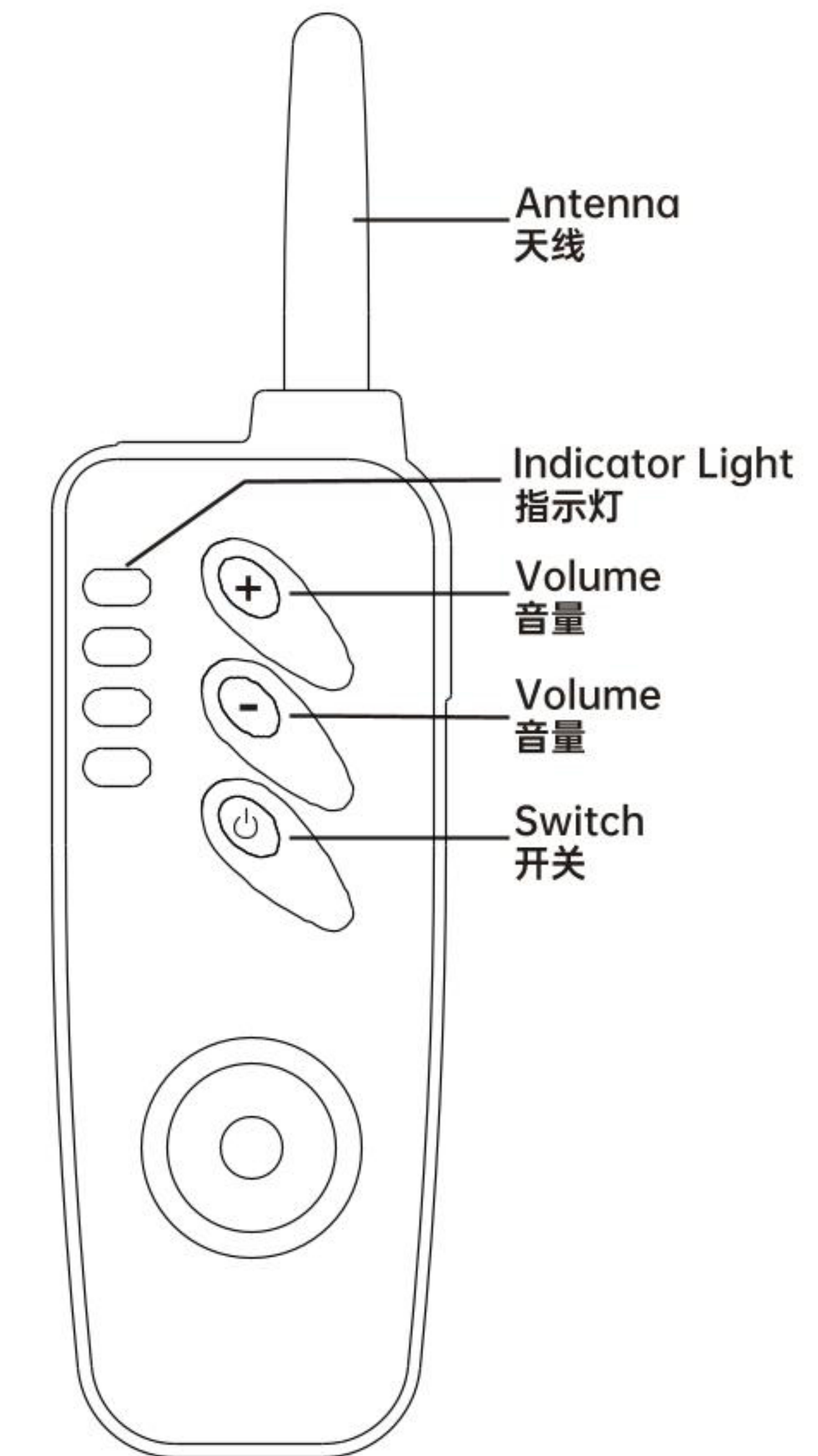
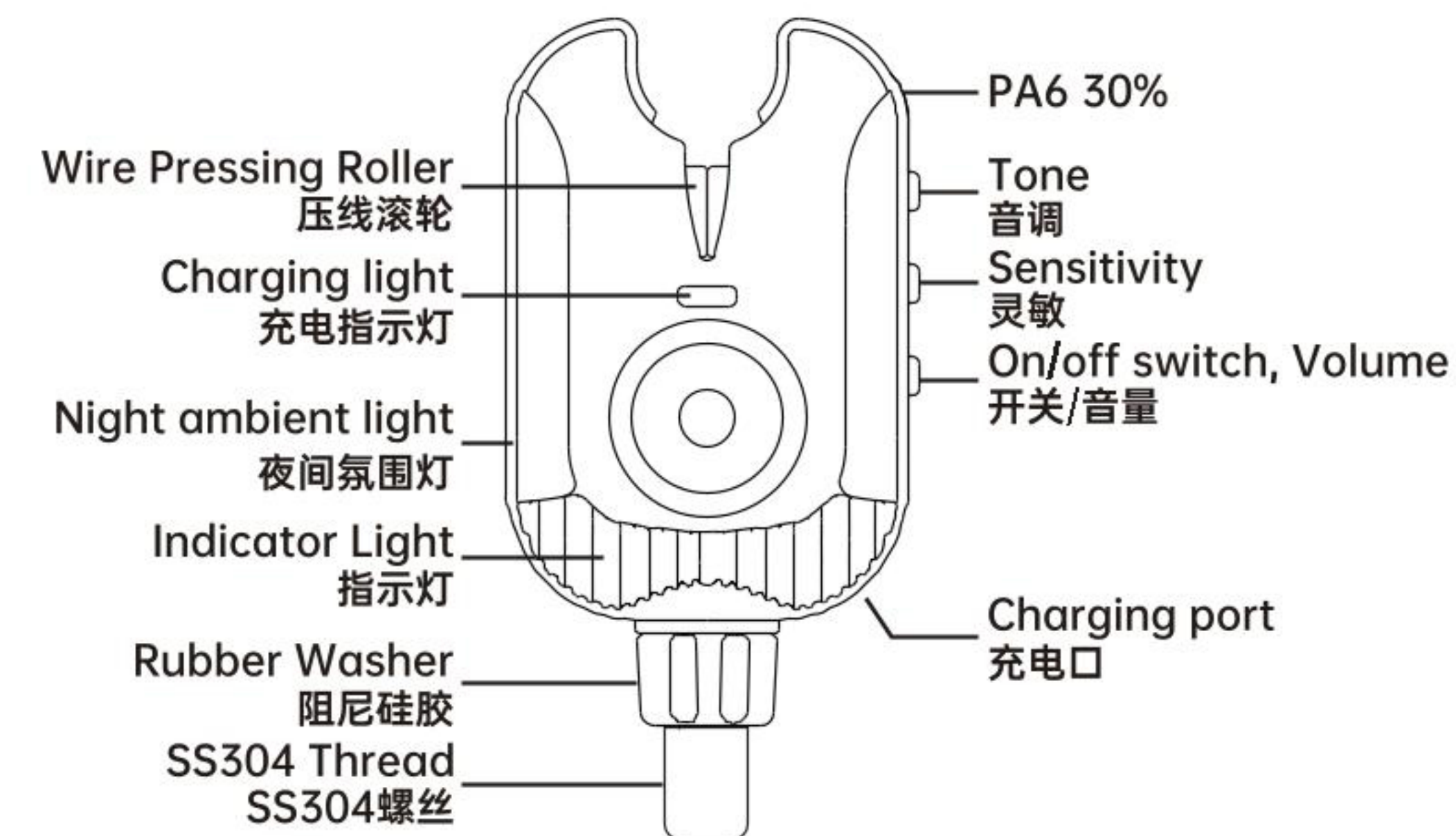
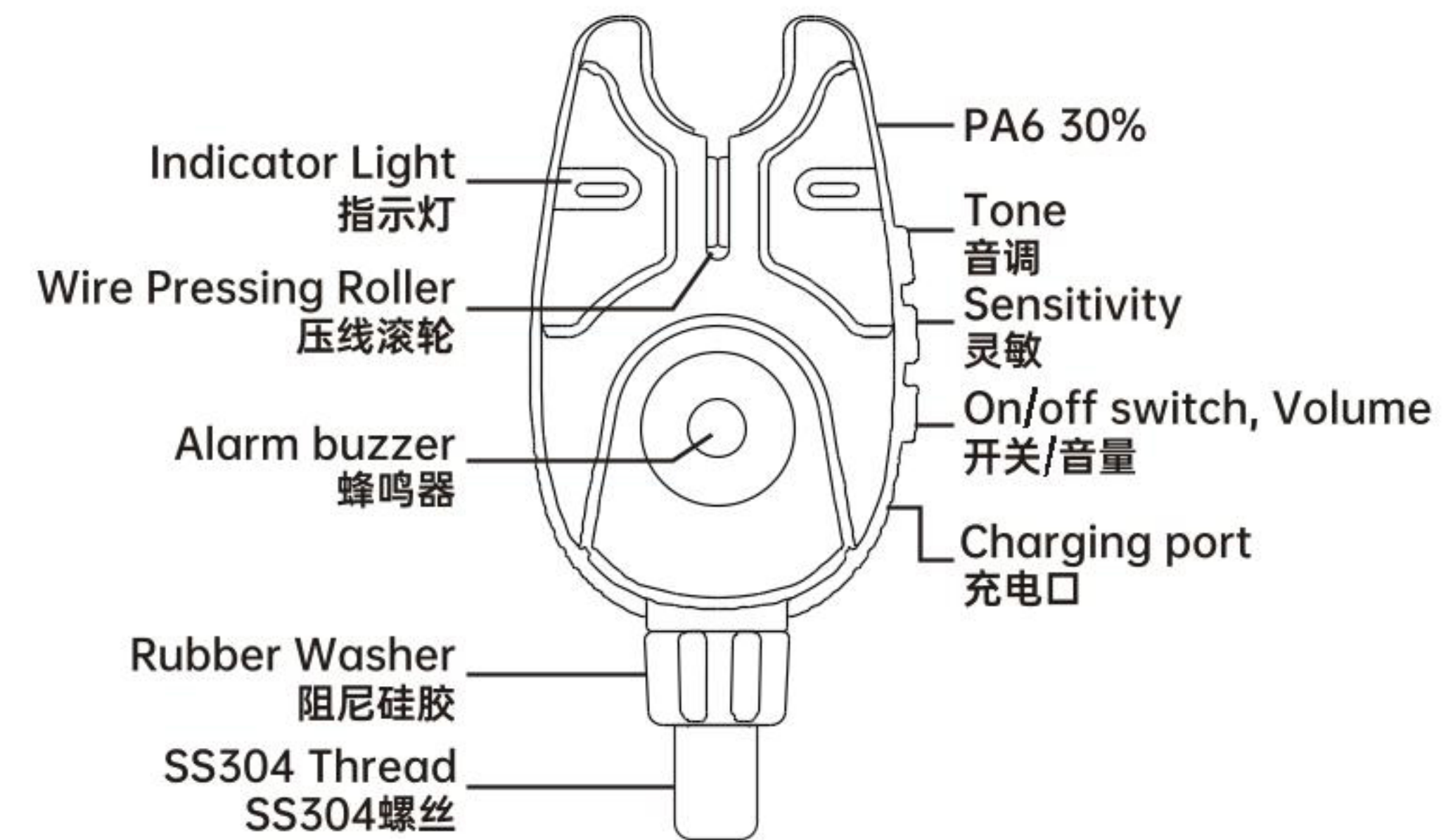
本机亏电: 亏电, 绿灯闪烁, 间断蜂鸣。

本机充电: 充电绿灯亮, 满电红灯亮。

工作待机: 500小时

Reminder: Recharge every 60 days to protect lithium battery & performance.

友情提醒: 60天内必须充电一次, 以防锂电池亏电, 影响使用。





KD-03 REMOTE FISHING ALARM(LI-BATTERY)
KD-03 远程钓鱼报警器(锂电)

ITEM 编号	RECEPTION 款式	RECEIVE DISTANCE 接收距离	Li-BATTERY 锂电池	BATTERY CAPACITY 电池容量	STANDBY 待机	WEIGHT 重量
MX-301402	RECEPTION	500m	3.7V	800/1500mAh	500h	1200g

Charger specification: 2V-2A, 100-240V; Recharge once every two months.
选择2V-2A, 100-240V充电器, 需两个月充电一次



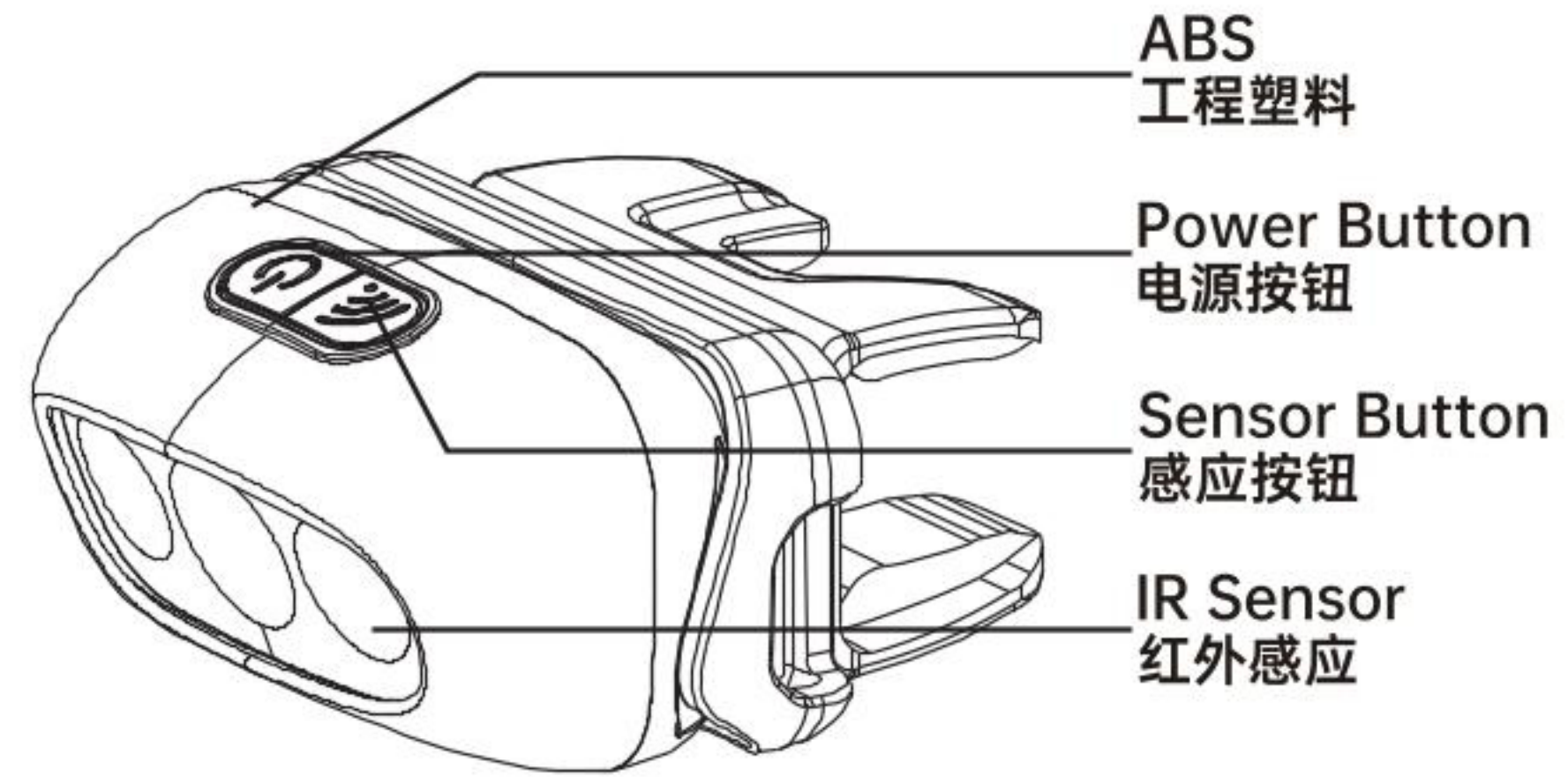
KD-04 REMOTE FISHING ALARM(LI-BATTERY)
KD-04 远程钓鱼报警器(锂电)

ITEM 编号	RECEPTION 款式	RECEIVE DISTANCE 接收距离	Li-BATTERY 锂电池	BATTERY CAPACITY 电池容量	STANDBY 待机	WEIGHT 重量
MW-301402	RECEPTION	500m	3.7V	800/1500mAh	500h	1200g

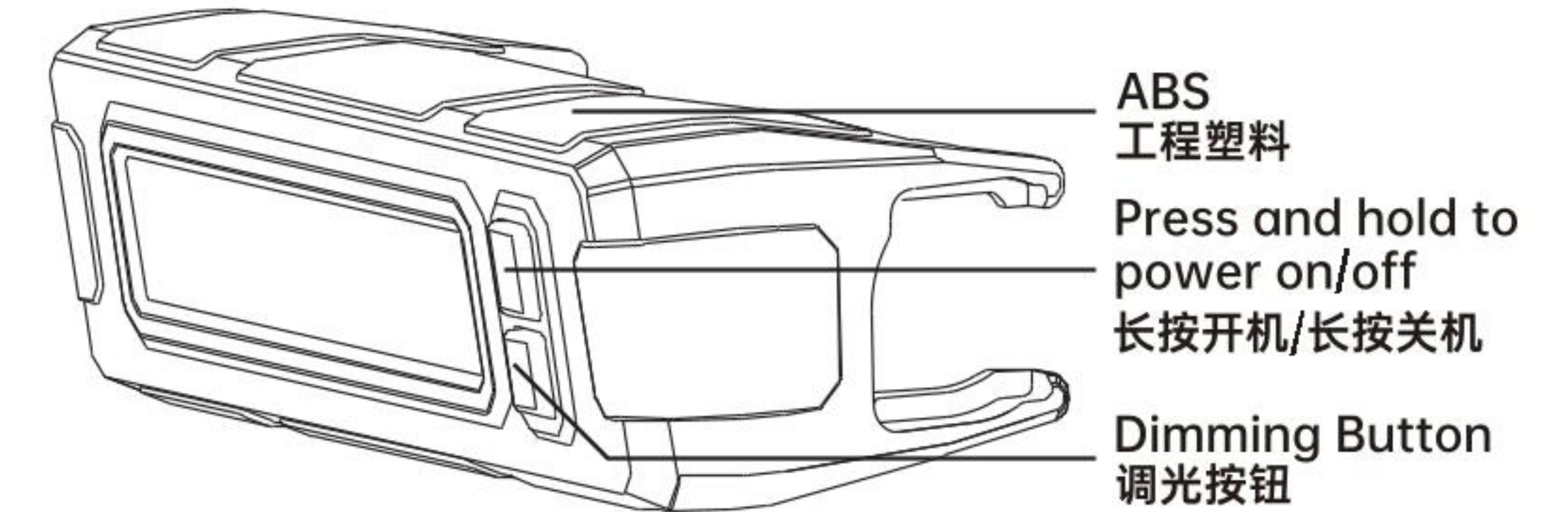
Charger specification: 2V-2A, 100-240V; Recharge once every two months.
选择2V-2A, 100-240V充电器, 需两个月充电一次



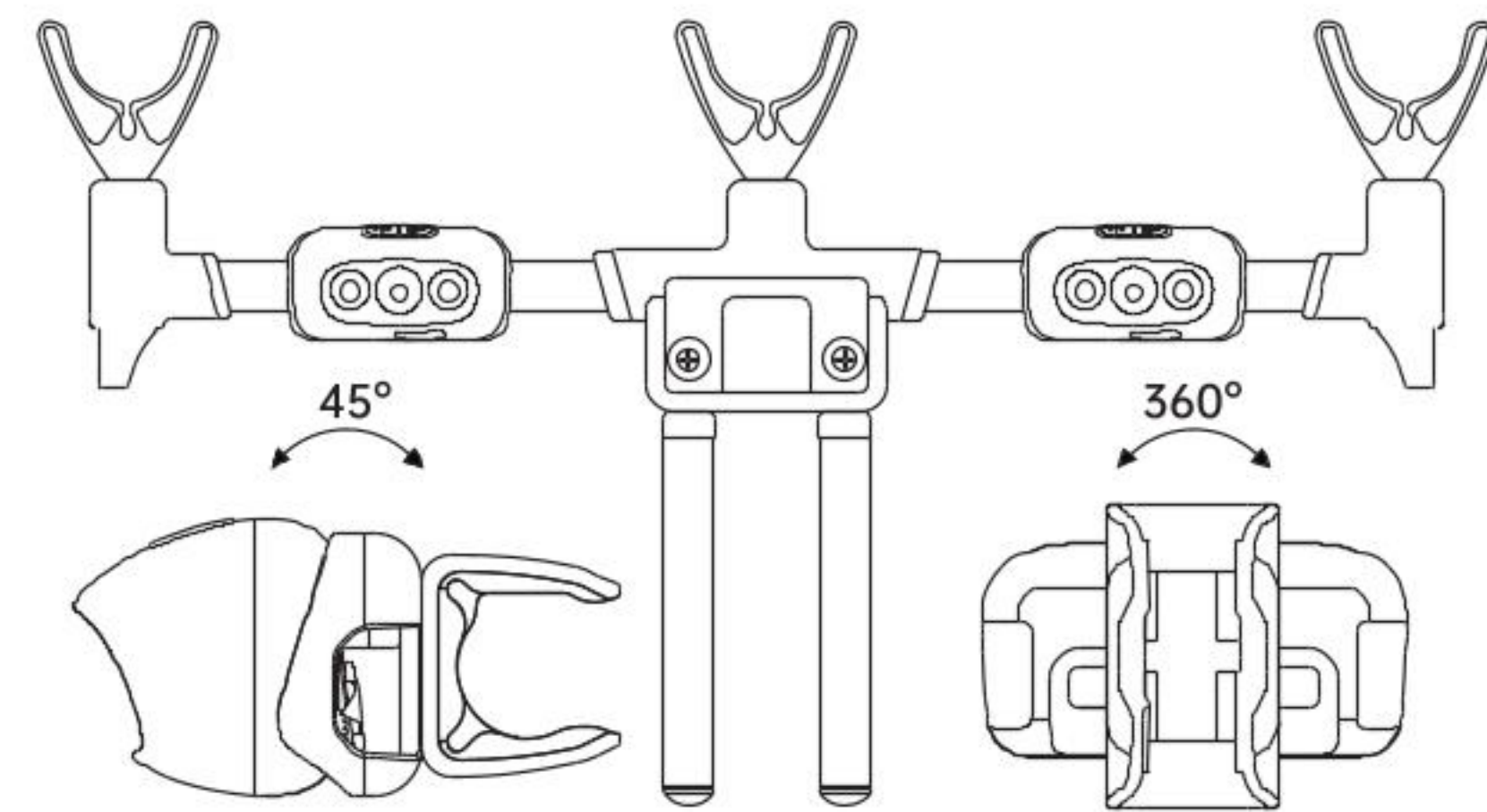
MV-285538



MU-696935



Operation Diagram 操作示意



Reminder: Recharge every 60 days to protect lithium battery & performance.
友情提醒: 60天内必须充电一次, 以防锂电池亏电, 影响使用。

CARP ROD REST SMART LIGHT
欧鲤支架智能灯

ITEM 编号	RECEPTION 款式	Li-BATTERY 锂电池	BATTERY CAPACITY 电池容量	CHARGER 电压电流	WEIGHT 重量
MV-285538	Light Sensor	3.7V	1100mAh	2V-2A 100-240V	60g
MU-696935	Vibration	3.7V	1500x2mAh	2V-2A 100-240V	115g



MT-253926



MS-202030



CARP ROD REST SMART LIGHT
欧鲤钓摇摆器

ITEM 编号	RECEPTION 款式	Li-BATTERY 锂电池	BATTERY CAPACITY 电池容量	CHARGER 电压电流	WEIGHT 重量
MT-253926	Vibration	3.7V	1100mAh	2V-2A 100-240V	158g
MS-202030	Vibration	3.7V	1500x2mAh	2V-2A 100-240V	118g



NZ-000201
SS/Silicone



NZ-000202
SS/Silicone



NZ-000203
SS/Silicone



NZ-000204
SS/Silicone



NZ-000205
SS/Silicone



NW-000206
ALU/ABS



NW-000207
ALU/ABS



NW-000208
ALU/ABS/TPE



NW-000209
ALU/ABS/TPE



CARP U/V REST SERIES
欧鲤钓U/V叉系列

ITEM 编号	WIDTH 宽度	HEIGHT 高度	MATERIAL 材料	WEIGHT 重量
NZ-000201	3.2cm	5.0cm	SS/Silicone	25g
NZ-000202	2.9cm	5.4cm	SS/Silicone	28g
NZ-000203	4.0cm	6.0cm	SS/Silicone	34g
NZ-000204	3.3cm	5.6cm	SS/Silicone	29g
NZ-000205	3.4cm	5.4cm	SS/Silicone	29g
NW-000206	5.4cm	7.2cm	ALU/ABS	23g
NW-000207	5.5cm	7.1cm	ALU/ABS	24g
NW-000208	5.2cm	7.0cm	ALU/ABS/TPE	19g
NW-000209	5.8cm	6.8cm	ALU/ABS/TPE	19g



ARTIFICIAL RIVER SNAIL(RIVER SNAIL FLAVOR)
仿真螺蛳 (浓香螺蛳)

ITEM 编号	NAME 品名	MATERIAL 材料	BUOYANCY VALUE 浮力值	QTY 数量	WEIGHT 重量
LS-014025	artificial river snail	PE	1g	25	70g
LS-034020	artificial river snail	PE	2g	20	70g



ARTIFICIAL CORN(RICHLY FRAGRANT CORN)
仿真玉米 (浓香玉米)

ITEM 编号	NAME 品名	MATERIAL 材料	BUOYANCY VALUE 浮力值	QTY 数量	WEIGHT 重量
YM-013025	artificial corn	PE	1g	25	70g
YM -044020	artificial corn	PE	2g	20	70g



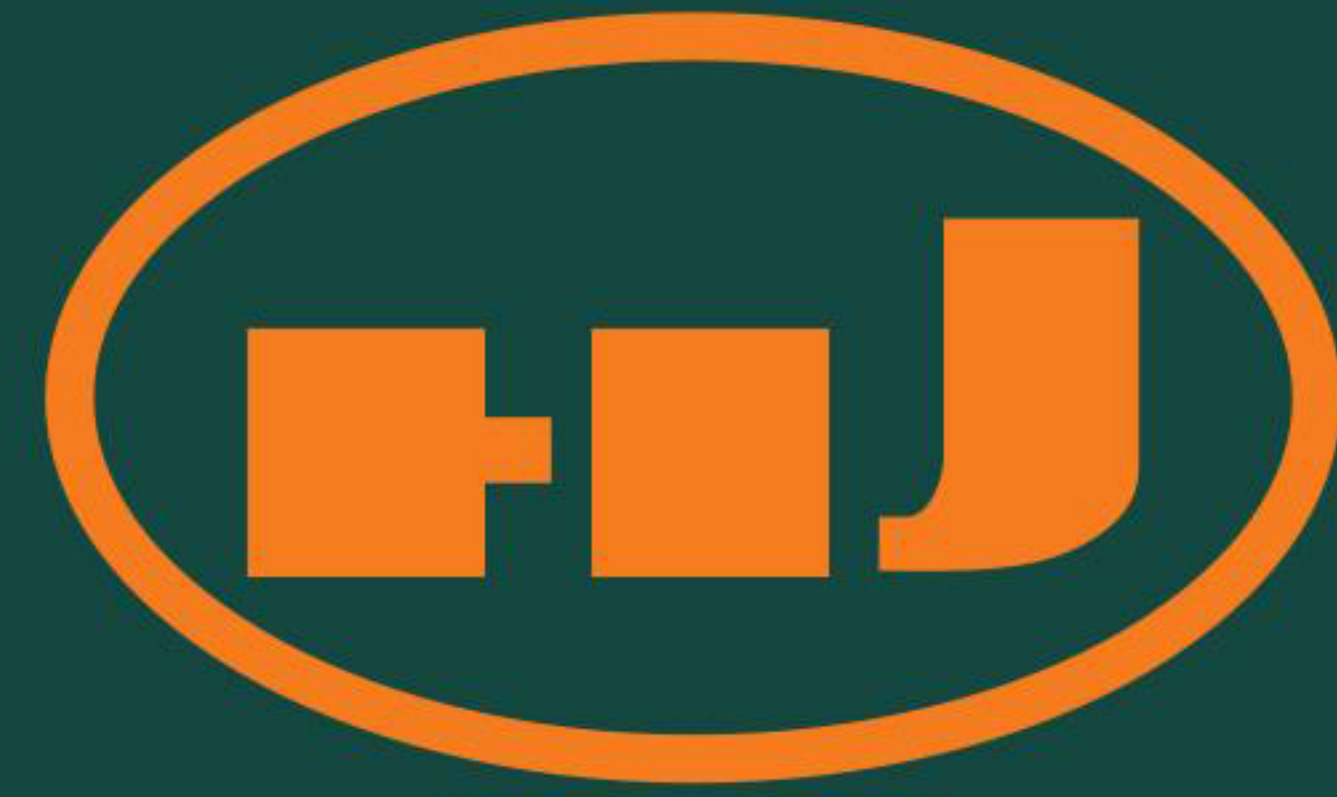
ARTIFICIAL CORN(FRUIT ACID)
仿真玉米 (浓郁果酸)

ITEM 编号	NAME 品名	MATERIAL 材料	BUOYANCY VALUE 浮力值	QTY 数量	WEIGHT 重量
YM-023025	artificial corn	PE	1g	25	70g



ARTIFICIAL RIVER SNAIL (BLUEBERRY FLAVOR)
仿真螺蛳 (酱香蓝莓)

ITEM 编号	NAME 品名	MATERIAL 材料	BUOYANCY VALUE 浮力值	QTY 数量	WEIGHT 重量
YM-023025	artificial river snail	PE	1g	25	70g



**WE GROW TOGETHER WITH SINCERE
GRATITUDE FOR YOU.**